

How to match power supplies to industrial distribution boxes





How to match power supplies to industrial distribution boxes



Selection Recommendations for Industrial Plugs,

In summary, industrial plugs, sockets, and distribution boxes are essential for ensuring safe and stable electrical power in industrial settings.

[Contact Us](#)

How to Install a Cable Distribution Box Safely and

In modern electrical systems, cable distribution boxes (also known as electrical distribution boxes or distribution boxes) play a crucial role as the key

[Contact Us](#)



How Distribution Boxes Power Up Industrial and Commercial Operations

SX's distribution boxes are engineered with high-quality materials and precision, offering solutions that meet the demands of diverse industrial and commercial settings. With configurations

[Contact Us](#)



Complete Guide For Distribution Boxes Types

Distribution boxes, also known as electrical distribution boards or panels, are pivotal components in electrical systems, ensuring the safe and organized distribution of



How to Install a Distribution Box--A Comprehensive

An electrical distribution box, also known as a power distribution box, panelboard, or consumer unit, is the core of an electrical system. It has three

[Contact Us](#)



ASI Distribution Boxes

ASI distribution boxes have terminals for attaching input and output cables to distribute power and signal connections. Also known as power distributors, they're environmentally sealed to keep out dust and

[Contact Us](#)



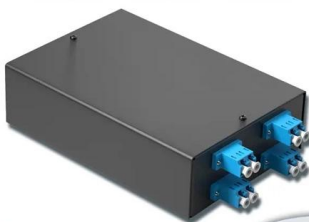
Industrial Electrical Distribution Boxes , DENG YUE

Discover our Industrial Electrical Distribution Boxes, meticulously engineered for robustness and dependability. These high-performance electrical distribution boxes come equipped with multiple blue

[Contact Us](#)

4-port 8-core LC wall-mounted fiber terminal box (empty frame)

Surface painted Scientific plate fiber Cold-rolled steel plate



Lifetime quality assurance

Free shipping

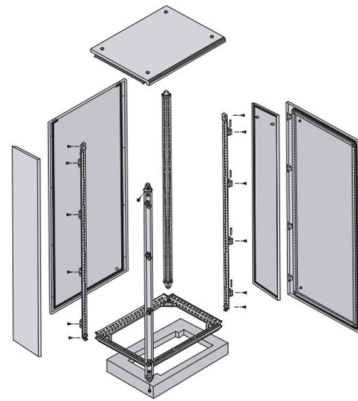
Customizable for telecommunication



Electrical Distribution System Design: Complete Guide

Learn how to design electrical distribution systems for industrial facilities. Comprehensive guide with system configurations, component selection,

[Contact Us](#)



Power Distribution Boxes: A Complete Overview , Eventech

Power distribution boxes, or PDUs, are essential for efficiently distributing electrical power to various equipment and devices in industrial and commercial settings.

[Contact Us](#)

Distribution Boxes Types - The Complete Guide

The power distribution boxes deliver electricity from the main electrical main to other circuits. Several distribution boxes are designed for specific use in

[Contact Us](#)



Understanding Distribution Boxes: A Comprehensive Guide

A distribution box is a vital piece of equipment that ensures the effective and safe distribution of electrical power in various parts within a building

[Contact Us](#)

The Complete Guide to Distribution Box:



Installation, Types & More

Blog The Complete Guide to Distribution Box: Installation, Types & More By Admin Aug 2, 2025
No Comments # distribution box Introduction
Electrical systems power our homes, offices, and

[Contact Us](#)



Power Distribution Systems: Complete Design Guide

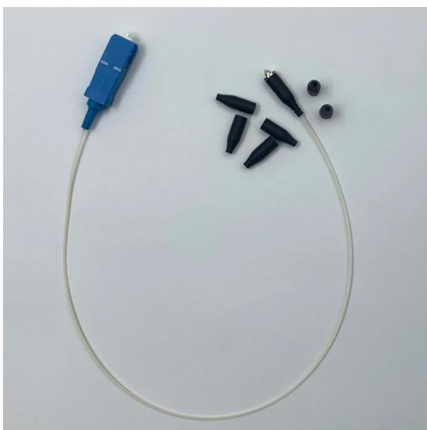
Discover how industrial power distribution systems convert utility power into safe, reliable electricity--minimizing downtime, enhancing safety, and reducing energy

[Contact Us](#)

Reuters , Breaking International News & Views

Find latest news from every corner of the globe at Reuters , your online source for breaking international news coverage.

[Contact Us](#)



Distribution Automation Handbook

While designing the construction of a primary distribution substation, there are a number of different busbar arrangement alternatives for both voltage levels.

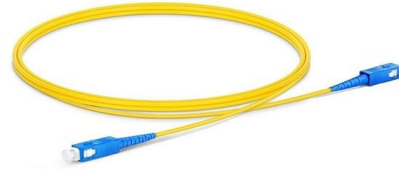
[Contact Us](#)



Industrial 3 Phase Electrical Distribution Box Guide

Explore the essentials of industrial 3 Phase Electrical Distribution Box for efficient power management in commercial settings. Get expert insights now.

[Contact Us](#)



Planning of Electric Power Distribution

Besides the demand to be met by the normal power supply (NPS), the power required from a safe and reliable source of supply must also be estimated. This demand of safety power supply (SPS) is

[Contact Us](#)

How To Connect Multiple Power Supplies? A Complete

Connecting multiple power supplies is a critical task in industrial settings that requires careful planning and execution. By understanding the need, prioritizing safety,

[Contact Us](#)



Power Distribution Power distribution systems

This white paper looks at how to improve power supply reliability and safety, including the dangers of arc flash and how to mitigate against it through careful power system design and the benefits of power

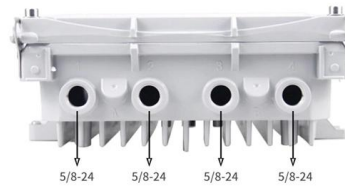
[Contact Us](#)



Understanding Distribution Boxes: Your Guide to Power

Weatherproof Distribution Boxes These serve specific outdoor purposes, with rain, dust, and extreme temperatures sealed shut, protecting any

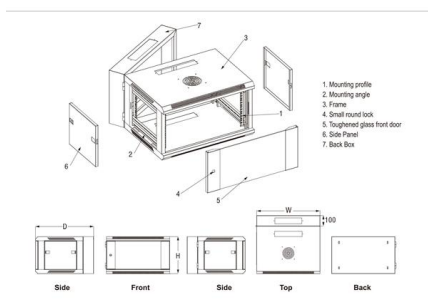
[Contact Us](#)



Power Distribution Equipment

Power Distribution Equipment is a term generally used to describe any apparatus used for the generation, transmission, distribution, or control of electrical energy.

[Contact Us](#)



Match each of three exact phases from two different supplies

If you're working with 3? equipment that's sensitive to phase reversal you ought to use a phase sequence (or rotation) tester. Alternatively you could get an industrial electrician with the

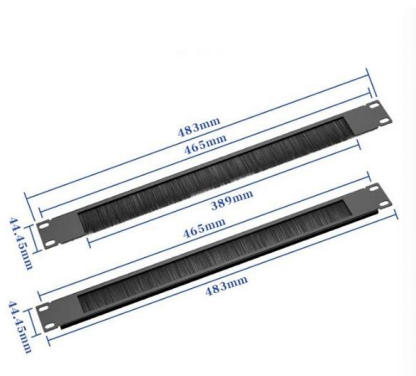
[Contact Us](#)



Selection Recommendations for Industrial Plugs,

Industrial plugs, sockets, and distribution boxes are specifically designed for power connections and electrical equipment control in industrial

[Contact Us](#)





Industrial Power Distribution Systems Guide

A reliable and well-structured industrial power distribution system is vital for every industrial or commercial operation. With the right components and layout, your facility can operate safely,

[Contact Us](#)



Contact Us

For datasheets, pricing, or custom fiber access solutions, please visit:
<https://frindel.es>