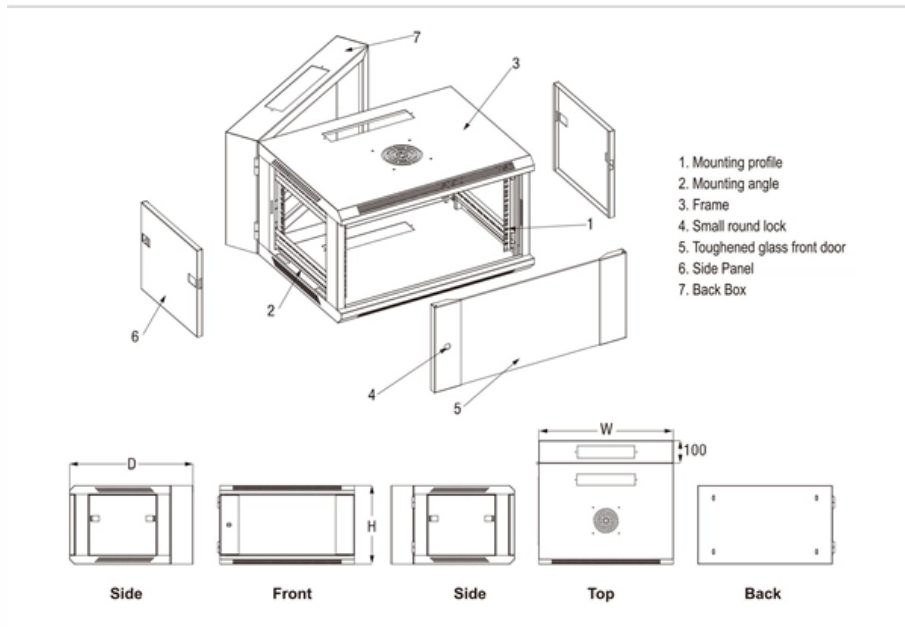




FRINDEL OPTICS

How to fix the angle iron bracket for cable trays





How to fix the angle iron bracket for cable trays



Cable Tray Angles

The cable tray angle material should correspond with the operational environment and the load coming up with the electrical cables. There are steel, stainless steel, aluminum, and galvanized steel angle

[Contact Us](#)



Best Practice Guide to Cable Ladder and Cable Tray Systems

This publication is intended as a practical guide for the proper and safe* installation of cable ladder systems, cable tray systems, channel support systems and associated supports.

Connecting Cable Trays: Your Guide to Secure and

Learn common methods for connecting cable trays safely and efficiently. Our guide covers splice plates, quick-connects, and key tips for secure

[Contact Us](#)



Installing Cable Ladder Fittings and Splices

Working with cable ladder is different to working with tray. In this clip, David from EzyStrut introduces the Nema 1 cable ladder, and shows you how to use it along with the associated fittings

[Contact Us](#)



Cable Tray Trapeze Hanger Rod Support Replacement , Eng-Tips

I'm in the process of determining a method of repair or replacement for existing corroded angles supporting three levels of cable tray and thought I'd see if anyone else has experienced a

[Contact Us](#)



Best Fixing and Mounting Options for Cable Trays , CMW

Discover the best fixing and mounting options for cable trays and wire mesh basket trays. CMW shares tips for efficient cable management.

[Contact Us](#)



Cable Tray Installation Accessories

This article will delve into the various auxiliary materials and accessories essential for effective cable tray installation, drawing insights from

[Contact Us](#)





Master Your Cable Tray Installation with These

Tired of struggling with cable tray installations? At Direct Channel we have the perfect range of brackets and supports to make things much easier. From wall to

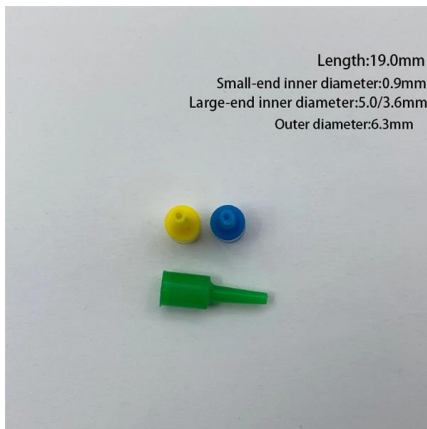
[Contact Us](#)



Unistrut Cable Tray Support Structures

Cable Tray systems are often used to support electric power, signal, control, instrumentation, and communication cables used for power distribution and

[Contact Us](#)



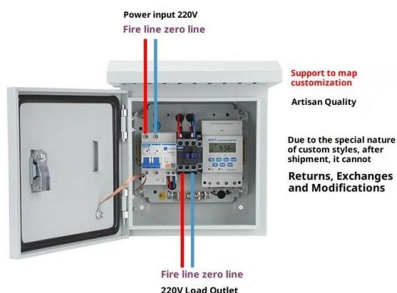
ehow , ehow

Learn how to do just about everything at ehow. Find expert advice along with How To videos and articles, including instructions on how to make, cook, grow, or do

[Contact Us](#)



Product Wiring Diagram



How To: Install Wall Brackets for Cable Trays and

Welcome to our comprehensive guide on installing wall brackets for different types of cable trays and cable ladders!

[Contact Us](#)



Cable tray needs fixed : r/lowvoltage

Then anchor some angle iron to the masonry at several points on either side and use some heavy duty unistrut underneath the tray to support it at maybe 4 or 5 points

[Contact Us](#)



Mounting instructions

Electrically trained specialists charged with installing cable support systems and cable trays. These instructions are based on the standards valid at the time of compilation (June 2021). Please read the

[Contact Us](#)

DIY Installation: Mastering Light Duty Cable Tray Setup

Explore our comprehensive DIY guide to master the installation of light-duty cable trays. From planning to cable organization, follow step-by-step instructions for a tidy and efficient cable

[Contact Us](#)



How To Install Cable Tray Ceiling Supports

There are several threaded rod hanging options that can save you time and money. Also learn about your options for wire support systems.

[Contact Us](#)



cs-178-project/imdb.vocab at main · apmalani/cs-178-project

Contribute to apmalani/cs-178-project development by creating an account on GitHub.

[Contact Us](#)



Cable Tray Brackets & Hangers

Explore Direct Channel's range of cable tray brackets and hangers, including stand-off brackets, G hanger supports, and trapeze support brackets. Available in various sizes and finishes, our products

[Contact Us](#)

Best Fixing and Mounting Options for Cable Trays , CMW

Regarding cable management, the fixing and mounting you choose for your cable trays can make or break your setup. Whether you're managing voice, data, or electrical cables, ensuring

[Contact Us](#)



Angle Bracket Kit

Cablofil's Wiremesh Cable Tray concept is based on performance, safety, and economy. These three qualities make the Cablofil Wiremesh Cable Tray system

[Contact Us](#)





Cable Tray Installation Accessories

Explore essential cable tray installation accessories for secure, stable, and safe cable management systems: hoisting frames, cross arms, wall

[Contact Us](#)



How to install Cable Trays - Best Guide in 2026

Step-by-step on-site guide: learn how to plan, mark, support, and install cable trays correctly, from shop drawing approval to final checks.

[Contact Us](#)

USER GUIDE ANGLE BRACKET FOR HANDRAIL INTERFACE

USER GUIDE ANGLE BRACKET FOR HANDRAIL INTERFACE INTENDED USE Angle bracket for attaching cable ladders or cable trays vertically to handrail supports.

[Contact Us](#)



CABLE TRAY SYSTEMS GUIDE

The total load supported by the cable tray, uniformly distributed. This will be the combined weight of all of the cables or tray contents, any environmental loads (snow, ice, dust) and any concentrated static

[Contact Us](#)



Can you install cable tray support brackets at an angle?

Installing cable tray support brackets at an angle can offer benefits such as enhanced load distribution, increased cable management space, and improved

[Contact Us](#)



unsupervised_topic_modeling/topics/en/17/100/100/topics at

Contribute to annontopicmodel/unsupervised_topic_modeling development by creating an account on GitHub.

[Contact Us](#)



Cable Trays General Installation Animation , EAE Electric

EAE Elektrik Cable Trays General Installation Animation. For more information about the EAE Cable Trays go to <https://link.eaegroup/3TVFB0iEAE> cable duct

[Contact Us](#)



People Inc.

People Inc. is America's largest digital and print publisher. Learn about career opportunities, leadership, and advertising solutions across our trusted brands

[Contact Us](#)



Make a 90 Bend in Electrical Cable Tray

The Easy Guide to How to make a 90 electrical cable tray bend to measurement of your choice. Great if you are new or just forgot how to do it, this easy

[Contact Us](#)



Guide to cable support systems

Fittings can, on the one hand, be used for horizontal or vertical changing of the routing direction or, on the other, to change the height or width of the dimension. Practical examples for this are horizontal or

[Contact Us](#)

Heavy-Duty Wall Bracket for 150-450 mm Cable Trays

Mount a 6-, 12- or 18-inch wire mesh cable tray along the wall of your data center or network closet as far as you want with heavy-duty wall bracket.

[Contact Us](#)



Contact Us

For datasheets, pricing, or custom fiber access solutions, please visit:
<https://frindel.es>