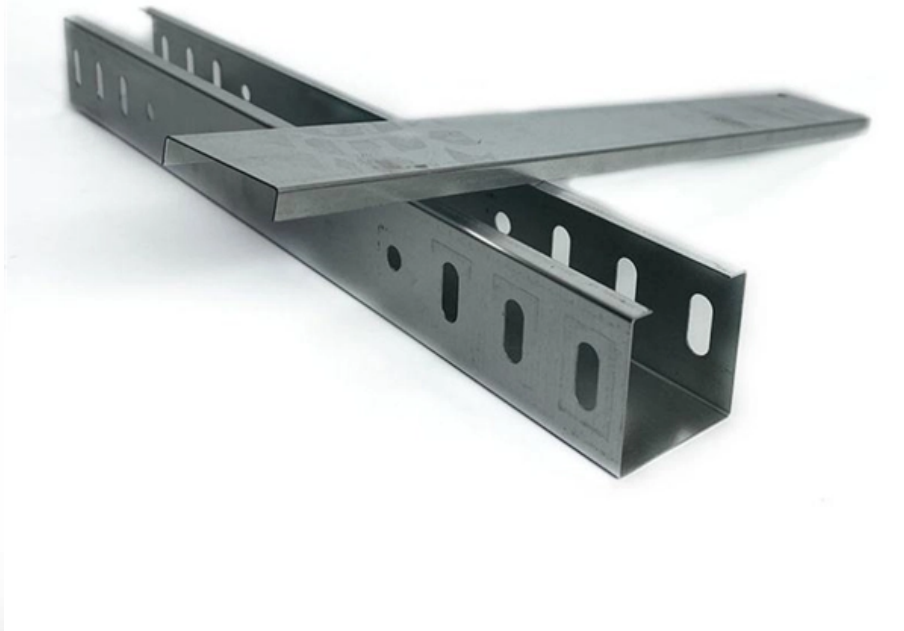


# **How to distinguish between fiber optic cables and electrical wires**





## Overview

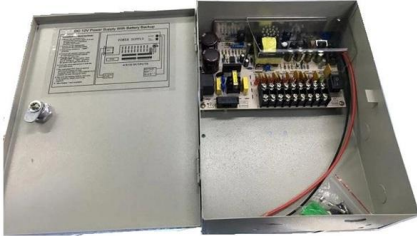
---

Fiber optic cables use light to transmit data, whereas traditional cables rely on electrical signals, which are more prone to interference and loss over distance. The difference between wire and cable In fact, there is no strict boundary between "wire" and "cable". Generally, the products with a small number of cores, small product diameter and simple structure are called wires, those without insulation are called bare wires, and others are called cables. Fiber Optic Cable: A significant departure from traditional electrical wires, a fiber optic cable transmits information as pulses of light through thin strands of glass or plastic (optical fibers). The term wires and cables are used pretty much used synonymously, but they are quite different in fact.



## How to distinguish between fiber optic cables and electrical wires

---



### What Is a Fiber Optic Cable and How Does It Work?

James Mitchell is an experienced optical cable engineer with a Master's degree in Electrical Engineering from Stanford University. With over 10 years in the fiber

[Contact Us](#)

### The difference between wires, cables, and optical fibers \_

Their difference: The inside of the cable is copper core wire; the inside of the optical cable is glass fiber.

[Contact Us](#)



### Fiber Optic Cable Types: A Complete Guide

Fiber optic cables use light to transmit data, whereas traditional cables rely on electrical signals, which are more prone to

[Contact Us](#)

### Understanding Cable vs. Wire and Optical Cable vs. Fiber Differences

Find clarity on the differences between wire and cable. Learn how their flexibility and usage vary, helping you choose the right option for your electrical needs effectively.



### The difference between wires, cables, and optical fibers

Their difference: The inside of the cable is copper core wire; the inside of the optical cable is glass fiber.

[Contact Us](#)



### Copper vs. Fiber Optic Cables: A Comprehensive

Explore the differences between copper and fiber optic cables for data communication, including their advantages, disadvantages, and applications.

[Contact Us](#)



### Fiber Optic Cable vs Copper Cable: Key Differences

Copper cable, transmitting electrical signals, is more vulnerable to eavesdropping through inductive taps that can capture data without physically

[Contact Us](#)

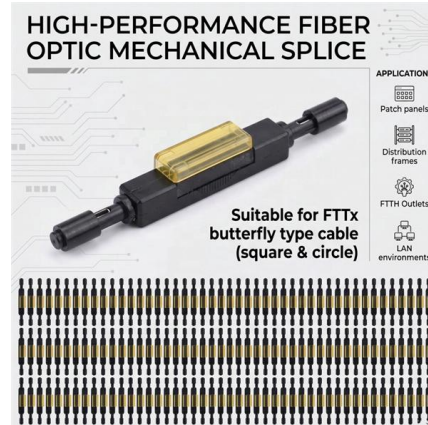




## Untangling the Difference Between Cables and Fiber Optics

**Electric Cables:** Electrical signals degrade over distance and need boosters (repeaters) to keep them strong, which can reduce quality. **Fiber Optics:** Light signals degrade very little, allowing

[Contact Us](#)



## Difference between Fiber optic cable and Copper wire

Fiber optic cables transmit data using light waves, enabling higher speeds and cover long distance. They are ideal for long-distance communication

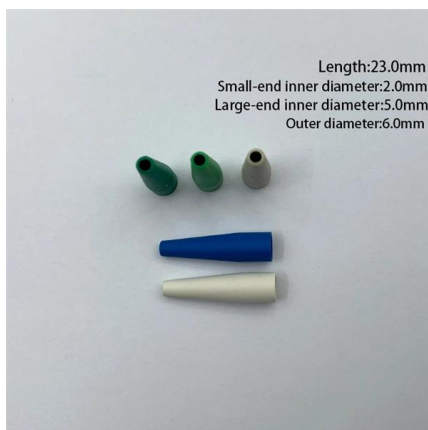
[Contact Us](#)



## National Electric Code (NEC)

Impact of the NEC The National Electric Code affects nearly everyone involved with wire and cable. In particular, distributors, installers, OEM engineers, wire product

[Contact Us](#)



## Optical Cable vs. Electrical Cable, What Are The Differences?

Fiber optical cable we will use everyday is less than 10mm. Weight Although fiber optic cable has strength member to enhance its tensile and anti-crush mechanical performance, the cable

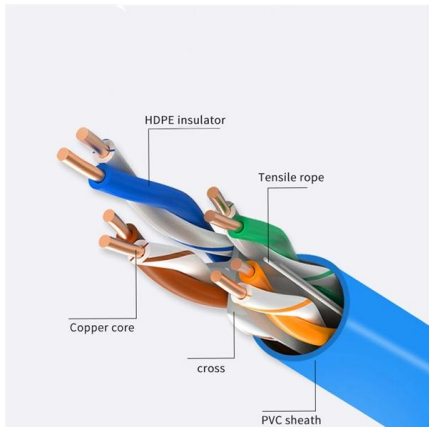
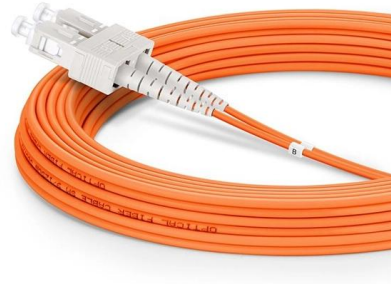
[Contact Us](#)



## Fiber vs. cable: What is the difference? , ZDNET

We break down the differences between fiber and cable, while highlighting their unique respective advantages.

[Contact Us](#)



## The Differences Between Wires and Cables? An

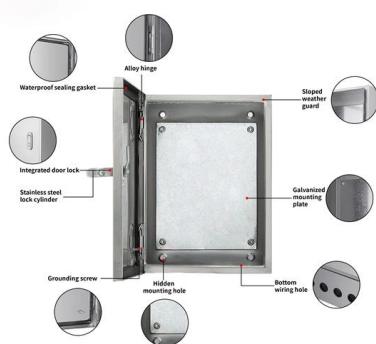
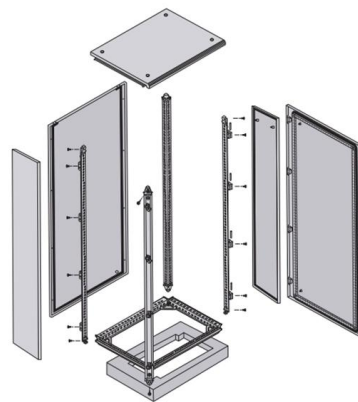
The crucial differences between wires and cables. Learn how a wire differs from a cable in this rigorous technical guide.

[Contact Us](#)

## Fiber Optic Cable vs Copper Cable Understanding the

Copper cables work well for short distances and simple internet tasks, with lower upfront costs and easier installation in small setups. Fiber optic cables

[Contact Us](#)



## Difference Between Copper Cable and Fiber Optic Cable

The main difference between copper cable and fiber optic cable is in how they transmit a signal and in what they are made of. Copper cable is made

[Contact Us](#)

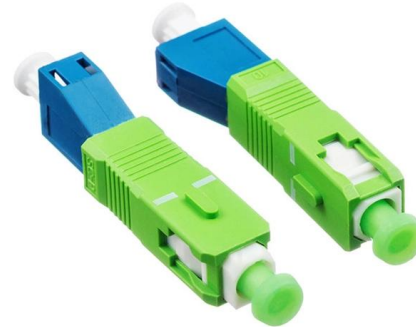
## Fiber Optic vs. Copper Cables: What's the



### Difference?

Both fiber optic and copper network cables are common in the enterprise, but what is the difference between a fiber optic vs. copper cable?

[Contact Us](#)



### What Are the Differences between Fiber Optic Cables

2.Distance Another difference between fiber optic cables and copper wires is their distance capabilities. Copper wires are limited in the distance they

[Contact Us](#)

### The Ultimate Guide to Fiber Optic Cable: Understanding

What is Fiber Optic Cable, and How Does it Work? Introduction to Fiber Optic Cable A fiber optic cable is a cable that uses thin fibers of glass or

[Contact Us](#)



### Top 6 Advantages and Disadvantages of Fiber Optic

Explore the top 6 advantages and disadvantages of fiber optic cable over copper, such as increased bandwidth, low attenuation, immunity to

[Contact Us](#)



## zxcvbn-rs/src/frequency\_lists.rs at master

Port of Dropbox's zxcvbn password strength library for Rust - shssoichiro/zxcvbn-rs

[Contact Us](#)



## Difference between Cable and Wire

The easiest way to distinguish between the two is that the wire is usually visible, whereas a cable is most usually insulated. There are two main types of wires:

[Contact Us](#)

## The FOA Reference For Fiber Optics

There are two types of these cables, OPGW (optical power ground wire) and OPPC (Optical power phase conductor) cables. These cables are installed on poles or

[Contact Us](#)



## Optical Cable vs. Electrical Cable, What Are The Differences?

The main difference between fiber cable and electrical cable is their transmit medium, as we can tell from their name and structures. But there are more aspects of them when compared

[Contact Us](#)



## Difference Between Copper Cable and Fiber Optics

The crucial difference between copper cable and fiber optics is that copper cable transmits signal in the form of electrical pulses while fiber optics possess signal

[Contact Us](#)



### Fiber-optic cable

A fiber-optic cable, also known as an optical-fiber cable, is an assembly similar to an electrical cable but containing one or more optical fibers that are used to carry

[Contact Us](#)

### What Are the Differences between Fiber Optic Cables

One of the main differences between fiber optic cables and copper wires is their speed and bandwidth. Fiber optic cables can transmit data at much

[Contact Us](#)



50km/spool



### Difference between Fiber optic cable and Copper wire

Conclusion The trade-off is that fiber optic cables are supposed to provide greater speeds, longer reaches, and improved security but at a higher

[Contact Us](#)



## Contact Us

---

For datasheets, pricing, or custom fiber access solutions, please visit:  
<https://frindel.es>