

How to connect fiber optic signals using a cold connector





Overview

This blog provides a step-by-step guide on how to connect fiber optic cable to connector using a fast cold connector. It explains the installation process, key features, benefits, and common issues. It uses pre-installed index-matching gel or mechanical clamping to align the bare fiber with a short fiber stub inside. The fiber optic quick connector/cold connector is a very innovative field-terminated connector, which contains factory-installed optical fiber, pre-polished ceramic ferrule and a mechanical splicing mechanism.



How to connect fiber optic signals using a cold connector



Multi-fiber Push On (MPO) Connectors

Multi-fiber push on connectors, or MPOs, are fiber cable connectors comprised of multiple optical fibers. Learn more at Fluke Networks.

[Contact Us](#)

Online Bulk Cable Company , CableWholesale

As a premier online bulk cable company, CableWholesale carries a large inventory of computer cables, USB, HDMI, fiber optic, VGA cables, and more. Shop now!

[Contact Us](#)



Optical Fiber , Optical Fiber Products , Corning

Optical fiber broadband brings together a culture of innovation, quality, and manufacturing excellence to create life-changing products.

[Contact Us](#)



How To Install Fiber Optic Cable Connectors?

These differences result in slight variations in the steps for inserting the optical fiber into the connector. Here, we will use the LC connector as an example



How to Connect Fiber Optic Cable to Connector

This guide, provided by Fibconet, delves into the structure and working principle of fiber optic connectors and outlines the critical steps for

[Contact Us](#)



Technology Articles, Technological News , Popular Science

Popular Science technology stories about devices, apps, robots, and everything else that makes technology essential to your modern life.

[Contact Us](#)



All Kinds of Fiber Optic Patch Cords - SC, LC, FC, ST

Learn about SC, LC, FC, and ST fiber optic patch cords, their uses in FTTH, telecom, and data centers, and how to choose the right type.

[Contact Us](#)





SPDIF Connection: 5 Facts You Need to Know for

SPDIF Optical: Utilizes fiber optic cables, which are immune to electrical interference. Provides superior isolation and reduces the risk of ground

[Contact Us](#)



Optical fiber fast connector/cold connection skills

Conclusion Optical fiber fast connectors are an excellent alternative to traditional fiber connectors due to their ease of use and quick installation. Installing a fast connector requires specific skills and

[Contact Us](#)

Submarine Cable Map

TeleGeography's comprehensive and regularly updated interactive map of the world's major submarine cable systems and landing stations.

[Contact Us](#)



How to Get Internet to a Shed, Garage, or Barn (2026)

There are three main categories of strategies for extending your Internet connection to an outbuilding. These strategies include connecting the buildings via wireless communication, a wire, or

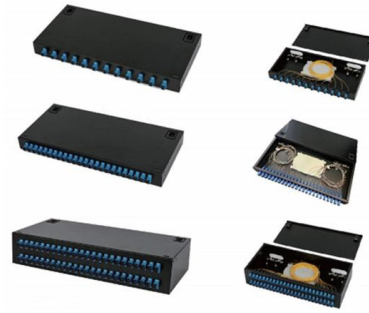
[Contact Us](#)



Fiber optic quick connector cold joint

The principle of the preset optical fiber quick connector/cold joint is described in detail below: the preset optical fiber is glued in the ferrule, and the connection point is set in the V-shaped groove with a light

[Contact Us](#)



Fiber Optic Terminology & Definitions , Fiber Terms Guide

Fiber Optic Repeater: A device that amplifies and retransmits digital signals using lightwave technology. Average Power: The average over time of a modulated signal.

[Contact Us](#)

Guide On Connecting Fiber Optic Cable To A Connector

Learn how to connect fiber optic cables to connectors with our comprehensive guide. Master the process and ensure a reliable and efficient connection.

[Contact Us](#)



How to Install Wi-Fi 7 Access Points Using Fiber Optic

Moreover, 10G fiber ensures low latency, which enhances the overall user experience by minimizing delays in data transmission. Additionally, fiber

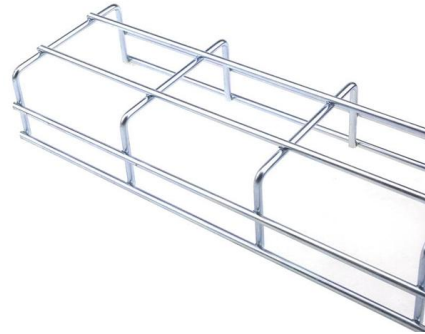
[Contact Us](#)



Fiber Fast Connector Buying Guide: SC/APC Cold Connector Types

It uses pre-installed index-matching gel or mechanical clamping to align the bare fiber with a short fiber stub inside the connector body, enabling optical signal transmission.

[Contact Us](#)



What is a Fiber Optic Pigtail, and What Is It Used For?

A fiber optic pigtail is a type of fiber optic cable with only one end that has a factory-terminated connector and the other end exposed as bare fiber. A

[Contact Us](#)



Ultimate Guide to Fiber-Optic Patch Cables: Types, Selection, and

Learn about fiber optic patch cables, their types, construction, applications, and how to choose the right one for your network needs.

[Contact Us](#)



Internet Speed Comparison Chart , What's a Good

Fiber: The fastest of all. Fiber connection is based on optical fiber cables that uses light to transmit data. 1Gbps (1,000Mbps) is now the norm for

[Contact Us](#)



WORLD WIDE WEB JOURNAL Home

will open to start the export process. The process may take but once it finishes a file will be downloadable from your browser. You may continue to browse the DL while the export process is in

[Contact Us](#)



4 Methods of Fiber Connection You Need to Know

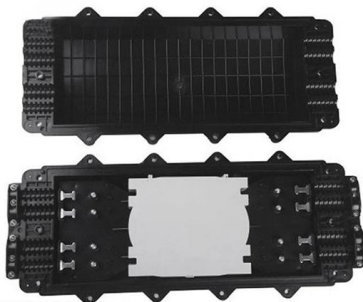
Emergency connection, also known as cold splicing, uses mechanical and chemical methods to fix and bond two fibers together. This method is quick

[Contact Us](#)

Amazon : Fiber Optic Tools

1-48 of over 5,000 results for "fiber optic tools" Results Check each product page for other buying options. Price and other details may vary based on product size and color.

[Contact Us](#)



Fiber Connector Types: A Complete Guide (2024)

A fiber connector is a precise coupling device to join fiber cables quickly. This guide introduces LC, SC, FC, ST, MPO, CS and many others.

[Contact Us](#)



Fiber optic quick connector cold joint

The wide application of fiber-to-the-home (FTTH) has promoted the rise of fiber optic fast connectors/cold connectors. This product has the characteristics of small size, fast termination, low

[Contact Us](#)



The Difference Between Optical Fiber Cold Splicing and

When installing a fiber optic network, connectors are required to connect both ends of the fiber optic cable. Common splicing methods include optical fiber cold

[Contact Us](#)

How to Connect Fiber Optic Cable to Connector: A

This blog provides a step-by-step guide on how to connect fiber optic cable to connector using a fast cold connector. It explains the installation process, key features, benefits, and common issues. The

[Contact Us](#)



Fiber Optic Troubleshooting: Expert Guide for Common

Fiber optic microscope: This device is used to inspect the surface quality and cleanliness of connectors, ensuring optimal performance and

[Contact Us](#)



SFP Fiber Optic Connector Types: LC, SC, MPO Explained

Fiber optic connectors in SFP modules are the physical interfaces that connect the transceiver to fiber patch cables, enabling optical signal transmission between network devices. They do not define

[Contact Us](#)



Contact Us

For datasheets, pricing, or custom fiber access solutions, please visit:
<https://frindel.es>