

# **How much does a fiber optic patch cord for a switch cost**





## Overview

---

The price of a fiber patch cord depends on several factors, including its type, length, connector, jacket, and quality. Fiber-optic cable materials typically cost \$1 to \$6 per linear foot, depending on fiber count and cable type. Commercial building installations with 100-200 network drops generally range from \$15,000 to \$30,000. Single-mode fiber costs less per foot than multimode fiber, but it requires more.



## How much does a fiber optic patch cord for a switch cost

---



### 11 Things You Need to Know About Fiber Patch Cable

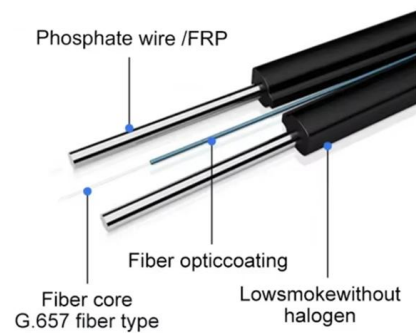
A fiber optic patch cable, cord, or optical jumper has fiber optic connectors (LC, SC, MTRJ, ST, FC, MU, and more) at either end. These

[Contact Us](#)

### Amazon : Fiber Optic Internet Cable

Discover reliable fiber optic internet cables for home and office networks. Find SC/APC patch cables in various lengths compatible with major providers.

[Contact Us](#)



### What to Watch Out for When Buying Fiber Optic Patch

Buying the right fiber optic patch cords is a critical decision that can significantly impact the performance and reliability of your network. By

[Contact Us](#)



### Fiber Optic Cables , Fiber Patch Cables , Patch Cords,

Fiber Patch Cables, Multimode & Singlemode Duplex Fiber Optic Cables, Secure Order Fiber Patch Cords, Preferred Mil. Edu. Gov. Pricing, Same Day Shipping



### Fiber patch cables: buy online at EFB-Elektronik

Buy fiber optic patch cables - fast, reliable and flexible! Fiber pigtails and patch cables are essential components in fiber optic communication systems. In

[Contact Us](#)

### What Is Fiber Patch Cord: A Beginner's Guide

In this beginner-friendly guide, we'll explore fiber patch cords from every angle--starting with their types, diving into their uses, and covering costs,

[Contact Us](#)



### Fiber Optic Cables, Fiber Optic Patch Cables, Fiber Optic Adapters

OUTSTANDING PRICES & STOCK: Including 10-GIG+, OM3, OM4 and MTP/MPO fiber optic cables! OVERNIGHT SHIPPING: Same day on most products. LIFETIME GUARANTEE: For material and

[Contact Us](#)





## Best Fiber Patch Cables for 10G, 40G, and 100G

Explore how to choose the best fiber patch cords for 10G, 40G, and 100G networks. This guide compares singlemode vs multimode fibers (OM3,

[Contact Us](#)



## What Is Fiber Patch Cord: A Beginner's Guide

What Is a Fiber Patch Cord and How Does It Function? Defining a Fiber Patch Cord So, what is fiber patch cord exactly? A fiber patch cord--also

[Contact Us](#)

## Fiber Optic Cable Patch Cord Order Guide

When choosing fiber optic cable patch cord, consider the actual length needed, material reliability, transmission speed, and loss.

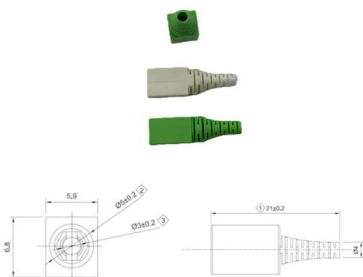
[Contact Us](#)



## Fiber Patch Cables Explained 2025: Types, Connectors,

Choosing the wrong type of patch cable can cause signal loss, downtime, or higher costs. This guide explains what fiber patch cables are, their

[Contact Us](#)





## The Comprehensive Guide to Fiber Optic Patch Cables

Discover how fiber optic patch cables are integral to the seamless operation of modern networks, offering significant advantages.

[Contact Us](#)



## What Fiber Patch Cables Are and How to Use Them

As fiber optic connectivity grows in popularity, one question we hear a lot at ShowMeCables is what the difference is between fiber patch cables and

[Contact Us](#)

## Fiber Optic Patch Cables: The Complete 2026 Buyer's Guide

Confused by LC, SC, MPO, UPC, and APC? This complete fiber optic patch cable guide covers connector types, single-mode vs multimode, insertion loss specs, and how to choose the right

[Contact Us](#)



## How to Choose a Fiber Patch Cord Supplier: Price vs.

Learn how to choose the right fiber patch cord supplier by comparing price vs. quality, certifications, and delivery reliability. This guide covers key

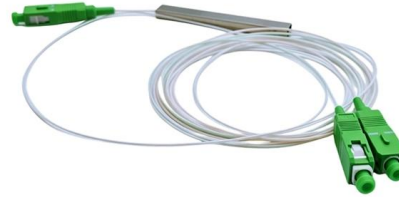
[Contact Us](#)



## A Comprehensive Guide to Fiber Optic Patch Cables

Fiber optic patch cables are found almost everywhere; cable television networks (CATV), data centers, computer networks, and telephone networks. Fiber optic

[Contact Us](#)



### Amazon : Fiber Optic Patch Cables

FLYPROFiber- LC to LC Fiber Patch Cable 1M/3ft, OM3 Multimode Fiber Optic Cable Cord, 10GB/40GB, Duplex, 50/125um, LSZH, Options: 0.2m-200m 200+ bought in past month Save 5%

[Contact Us](#)

### Fiber Patch Panels: A Beginner's Guide , RLH

Fiber optic patch panels are enclosures that act as a distribution hub for fiber cable. A bulk (multi-strand) fiber cable enters the patch panel and then each fiber strand

[Contact Us](#)



### Fiber Patch Cables Explained 2025: Types, Connectors,

Introduction: why fiber patch cables matter? In a modern data center, every high-speed optical link depends on the right fiber patch cable. These short

[Contact Us](#)



**blocktrail-webwallet/src/lib/zxcvbn/dist/zxcvbn.js.map at master**

BTC Web Wallet. Contribute to blocktrail/blocktrail-webwallet development by creating an account on GitHub.

[Contact Us](#)



**Fiber Patch Cord Types Prices & Technical Specifications**

The choice of fiber patch cord will depend on the specific application and performance requirements of the fiber optic network. Factors to consider include

[Contact Us](#)



**How Much Do Fiber Patch Cords Cost? OEM & Bulk**

Understand fiber patch cord pricing from a B2B perspective. Learn how OEM production, volume, customization, and connector types influence cost

[Contact Us](#)



**NSComm Fiber Optic Patch Cable Installation**

Follow NSComm installation guide to achieve high-speed, low-loss fiber connections. Learn fiber optic types, materials, and installation best practices.

[Contact Us](#)

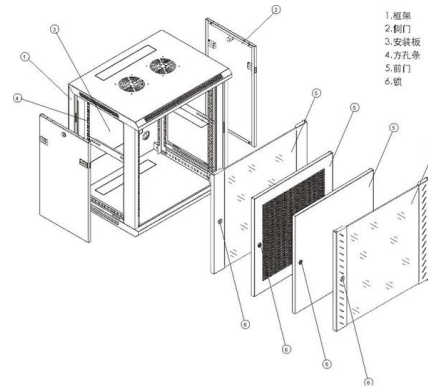




## Fiber Optic Patch Cords Guide , Types, Connectors

Explore fiber optic patch cords for telecom, data centers, and FTTH. From LC/SC to MPO/MTP and armored jumpers, ZION Communication offers

[Contact Us](#)



## Buying Guide Fiber Patch Cords , AMP CONNECT®

APC types offer lower optical fiber loss and better performance compared to UPC types, making them preferable for applications sensitive to return loss like FTTX, PON, and WDM fiber optic equipment.

[Contact Us](#)



## Contact Us

---

For datasheets, pricing, or custom fiber access solutions, please visit:  
<https://frindel.es>