

How much does a 400-watt cable tray cost





Overview

50 and \$8 per foot depending on factors such as the material type, tray size, and other specifications. Cable tray installation cost per meter varies by specifications; GangLong Fiberglass offers kits for raised floor system and facility needs. Cable trays are vital in electrical installations, providing secure pathways for power, communication, and control cables across residential, commercial, and industrial settings. Cable trays will tend to be significantly less expensive to use in 2026 than metal pipes due to their faster installation. Available finishes include: Pre-galvanised to BS EN 10346:2015 (standard references throughout brochure).



How much does a 400-watt cable tray cost



Electrical Cable Tray 400mm

Discover durable 400mm electrical cable trays in galvanized steel, ideal for wholesale purchases starting at \$3.35 per unit. Customize colors and finishes for high-quality cable management solutions, perfect

[Contact Us](#)

Cable Tray Cost Comparison

Compare cable tray costs by type, material, and installation. Find the most cost-effective option for your project in this detailed buyer's guide.

[Contact Us](#)



Cable Tray Installation Cost per Meter - Price Estimator

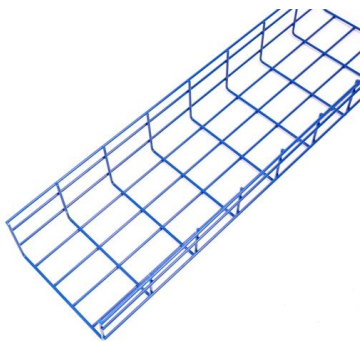
How Much Does a 300mm Cable Tray Weigh Per Meter? The weight of a 300mm cable tray per meter can vary depending on the material used, but it

[Contact Us](#)

Amazon : Renogy 400 Watt Solar Panel Kit

1-16 of 210 results for "renogy 400 watt solar panel kit" Results Check each product page for other buying options.

[Contact Us](#)



How much does a 400-watt solar panel cost: Best 2026

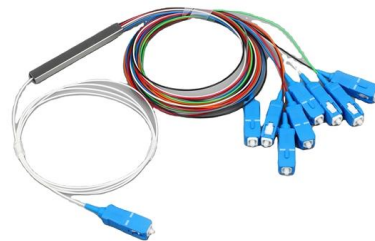
In this guide we cover the five proven factors behind how much does a 400-watt solar panel cost -- the costs, alternatives, trade-offs, and what we

[Contact Us](#)

Cable Tray Price List , Electrical Works

Cable tray are used in wiring of buildings to support electrical cables and wires that are used to distribute power, controls and communication. The cable tray are for hot dip galvanized

[Contact Us](#)



400-watt Solar Panels: What to Know (2026)

How much do 400-watt solar panels cost? As of publishing, 400-watt solar panels typically cost between \$320 and \$560 per panel (between \$0.80 and

[Contact Us](#)



Cable Tray 400 mm

Shop high-quality cable tray 400 mm from reliable suppliers. Find durable, anti-corrosion materials for indoor and outdoor use. Perfect for data centers and buildings.

[Contact Us](#)



How much does a 400 watt solar panel cost: Best 2026

How much does a 400 watt solar panel cost? Here's the short answer. In this guide we cover the five proven factors behind how much does a

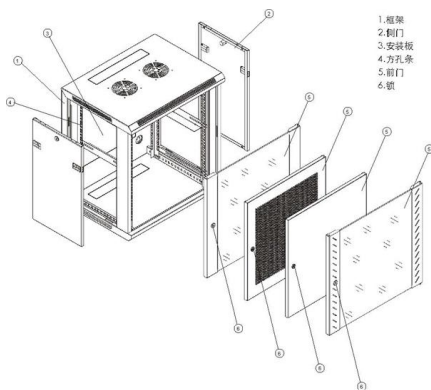
[Contact Us](#)

Buy Cable Management Trays & Wire Baskets , Fast Delivery

With over 20 years of experience in the industry, we are the go-to choice for anyone looking for reliable and affordable cable management solutions. We also offer next-day delivery on all orders and free



[Contact Us](#)



Cable Tray Price Per Meter: Market Analysis & Cost

Cable tray pricing depends on materials, coatings, size, supplier margins, and order quantity --plus hidden costs like shipping and installation.

[Contact Us](#)

400-Watt Solar Panels: Everything You Need To Know



Thinking about 400-watt solar panels? Learn how much energy they produce, their cost, efficiency, and how they can power your home.

[Contact Us](#)



Cable Tray Price List 2024 PDF , PDF , Electrical Wiring

Price List Cable Tray 2024 - Free download as PDF File (.pdf), Text File (.txt) or view presentation slides online.

[Contact Us](#)

Renogy 400 Watt 12 Volt Premium 4 Pcs 100W

Renogy 400 Watt 12 Volt Premium 4 Pcs 100W Panel+40A MPPT Charge Controller+ Bluetooth Module Fuse+ Mounting Z Brackets+Adaptor Kit +Tray

[Contact Us](#)



High-Quality Cable Tray Systems , Light, Medium

Explore our premium cable tray systems at Direct Channel. Available in light, medium, and heavy-duty options, with pre-galvanized & hot-dipped finishes.

[Contact Us](#)



400 Watt Solar Panel Kit With Battery And Inverter:

A 400 watt solar panel kit with battery and inverter represents an excellent entry point into solar energy for medium-power applications. With daily

[Contact Us](#)



Heavy Duty Cable Tray - Unitrunk

Available finishes include: Pre-galvanised to BS EN 10346:2015 (standard references throughout brochure). Powder coated (prefix reference with CP). See Product

[Contact Us](#)

400 Watt Solar Panels - Learn How Much Power Does A 400w Solar

Only five years ago, the largest solar panels were only 300 watts. In 2022, we have seen the arrival of 400-watt or larger residential solar panels. A 400W solar panel generates 400 watts of

[Contact Us](#)



Cable Tray Installation Cost per Meter - Price Estimator

The cost of steel cable trays generally falls between \$5 and \$25 per meter, depending on several factors such as the tray's gauge, finish, and the

[Contact Us](#)



How Much Do Cable Trays Cost? A 2026 Comparison

Discover the 2026 cost breakdown for cable trays compared to conduit and wire mesh. Compare material prices, labor savings, and performance

[Contact Us](#)



Comprehensive Cable Tray Pricing Guide: Cost-Effective Solutions for

Explore competitive cable tray pricing options featuring durable materials, easy installation, and scalable solutions for efficient cable management in commercial and industrial applications.

[Contact Us](#)

Contact Us

For datasheets, pricing, or custom fiber access solutions, please visit:
<https://frindel.es>