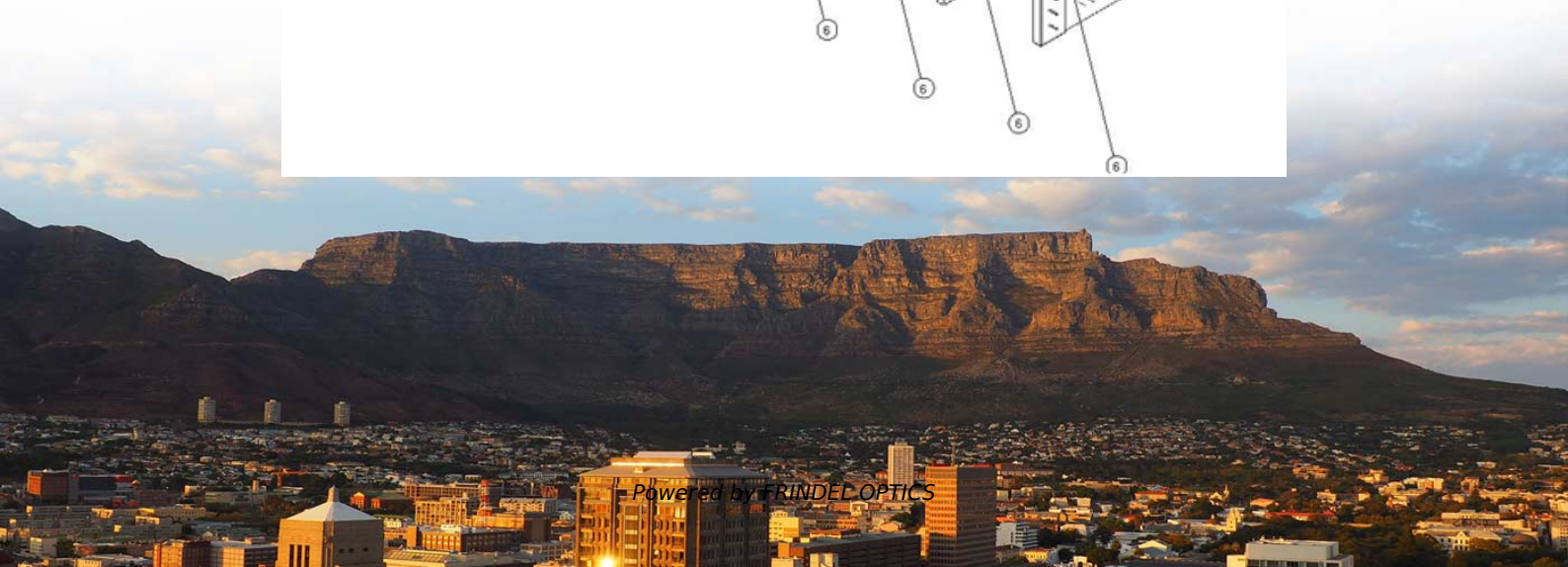
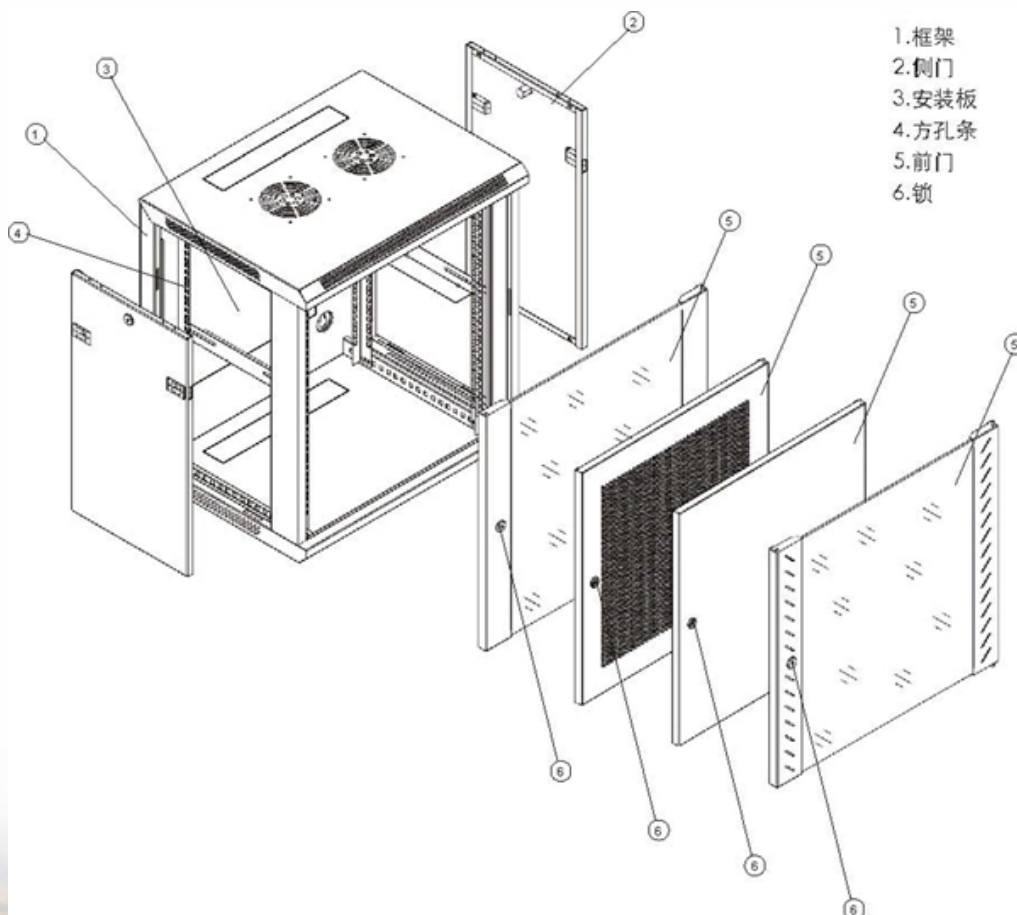


How many meters away from a house is it legal for a telecommunications fiber optic cable to be placed





Overview

The FCC recommends a distance of 250 feet from residences, but approvals can be granted for closer distances. It's important to note that most of the energy from cellular communication is directed away from the ground, resulting in minimal radiation exposure. This calculator helps you determine safe distances based on tower type (2G to 5G), transmission power, antenna configuration, and safety standards. The findings revealed that individuals residing within 350 meters of the tower experienced a significantly higher cancer rate—129 cases per 10,000 people annually—compared to 16 per 10,000 in a nearby area located over 350 meters away. Not all cell phone towers emit the same level of radiation waves and with some cell phone towers, it is pretty safe to live up to 100 meters away from the tower.



How many meters away from a house is it legal for a telecommunication



Business Insider

Business Insider tells the global tech, finance, stock market, media, economy, lifestyle, real estate, AI and innovative stories you want to know.

[Contact Us](#)

What is a Safe Distance from a 5G Cell Tower?

Safety guidelines also vary, with some suggesting a safe distance of around 400 meters from the antenna. In this article, we'll explore what the safe distances from

[Contact Us](#)



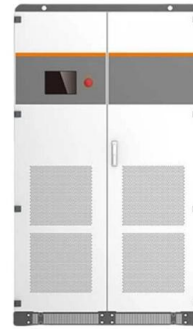
In England. Do BT have a right to run cables over my property

As long as the wire is more than 3m above the driveway/garden and 2m from the building then they're allowed to run cables overhead as long as they don't need to access your land to do so.

[Contact Us](#)

Safe Distances for Avoiding Mobile Tower Radiation

While all mobile and cell phone towers give out different levels of radiation, a minimum safe distance to avoid the worst of it is under 150ft, and after around



Digital Building Telecommunications Access

In some cases, optical fibre cables may also be provided. However, due to the diverse range of network configurations, in most cases additional equipment and cabling will still need to be installed to deliver

[Contact Us](#)



Minimum height of a line to a house

Due to our house being higher than the road, I am concerned that this will result in the cable being quite low. Can anyone advise me of the regulations regarding minimum ground

[Contact Us](#)



Telecom companies can install equipment on your land!

Expert legal advice. Made simple. Telecom companies can install equipment on your land! We explain The ECC is a governing framework that

[Contact Us](#)





Safe Distance To EMF Radiation? Easy Guidelines

When you are more than 15-20 yards (14-18 meters) the ELF radiation should be below 1 mG for magnetic fields and 10 V/m for electric fields. These are the

[Contact Us](#)



What is the Safe Distance From Cell Towers?

India's Department of Telecom (DOT) established an Antenna Rule which states that if a mobile tower has 1 antenna, then it should be installed at a minimum distance

[Contact Us](#)

How Far Should You Live from a Cell Phone Tower?

While cell phone towers are essential for modern life, research suggests that maintaining a safe distance (at least 400-500 meters) may reduce potential

[Contact Us](#)



Planning rules for 5G masts in England

This information should not be relied upon as legal or professional advice. Read the disclaimer. This page explains when a mobile mast requires

[Contact Us](#)



telecommunications_technical_wiring_standards

The fiber optic cable system is the distribution medium used to transmit data between and within specified buildings on campus. Multi-mode and/or single-mode fiber cable (depending upon the



[Contact Us](#)



CELL TOWER ZONING AND PERMITTING

They are allowed to regulate how and where the towers are placed as long as the overall impact is not to preclude wireless service. As a result, many jurisdictions

[Contact Us](#)

Human Exposure to Radio Frequency Fields: Guidelines

Primary antennas for transmitting wireless telephone service, including cellular and personal communications service (PCS), are usually



[Contact Us](#)



Is There a Safe Distance to Live From a Cell Phone

Environmental Health Trust (EHT): This non-profit research and educational group suggests a minimum distance of 500 meters (around 1,640 feet) for residential

[Contact Us](#)



What Is a Safe Distance from a Cell Tower?

If you find mobile towers located a minimum of 400 meters away, you are most likely safe. Anything closer than 400 meters is cause for additional

[Contact Us](#)



Broadband companies and telegraph poles

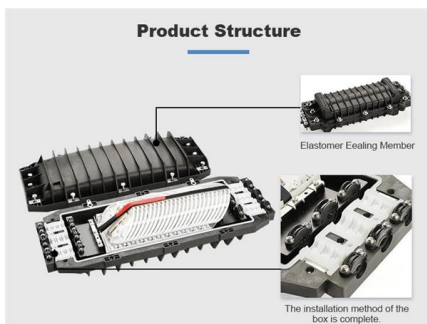
For example, underground ducts may not have spare capacity to house more cables. Ofcom requires two broadband companies to share their infrastructure. Openreach (the part of BT

[Contact Us](#)

Planning issues in telecommunications , Legal Guidance , LexisNexis

Certain forms of telecommunication development, eg mobile telephone masts, are permitted development, ie they do not require planning permission. For more information, see Practice Notes:

[Contact Us](#)



Telecommunication Poles - Frequently Asked Questions

The upgrade to full fibre to date has been delivered by the private sector and has seen a large range of established and newer operators putting new broadband

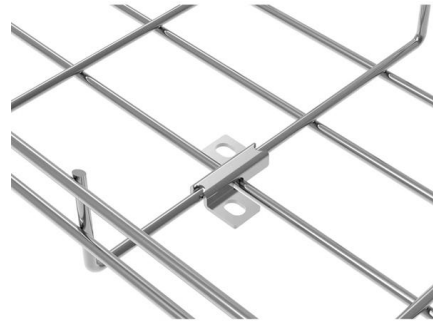
[Contact Us](#)



Is There a Safe Distance to Live From a Cell Phone

Get up-to-date on EMF near your home; take proactive steps to minimize EMF exposure from cell towers with expert tips on assessing risks.

[Contact Us](#)



Safe EMF Distance From Cellphone Towers Calculator

Cellphone towers are one of the most prominent sources of environmental electromagnetic radiation. Whether you're considering buying a home, assessing

[Contact Us](#)

What Distance is Safe?

The following table of Safe Distances from EMF Sources is offered below to help reduce your exposure to electromagnetic fields (EMFs). But the actual EMFs

[Contact Us](#)



Telecommunications

If the fiber optic cable installation in this instance is over 4.70db loss when testing at 850nm wavelength, the cable installation does not meet TIA/EIA minimum standards.

[Contact Us](#)

Building Telecommunications Infrastructure



Requirements

TERs and TRs must be designed so that they are within 295 "cable feet" (90 meters) of every telecommunications outlet (TO) on that floor. If this is not possible then more than one TR per floor is

[Contact Us](#)



1910.268

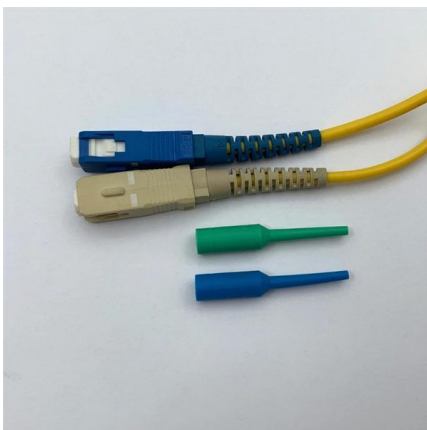
This section sets forth safety and health standards that apply to the work conditions, practices, means, methods, operations, installations and processes performed at telecommunications centers and at

[Contact Us](#)

I have a communication tower about 100 feet from my house

For a tower that is approximately 82 feet tall, it should be at least 100 feet away from any building to ensure safety in case of a collapse. Have you measured the distance from your house to the tower?

[Contact Us](#)



Cell Phone Tower Radiation Safe Distance Guide - EMF Risks

The researchers concluded that telecommunications transmission towers for cellular phone services should be constructed

[Contact Us](#)



Cell Phone Tower Radiation Safe Distance Guide - EMF

It is best to stay 300 meters away from cell phone towers. Not all cell phone towers emit the same level of radiation waves and with some cell phone

[Contact Us](#)



What Distance is Safe?

It is difficult to predict a safe distance from power lines, because the EMFs can vary greatly depending upon the situation. The best advice is to measure with a

[Contact Us](#)

Safe EMF Distance From Cellphone Towers Calculator

Whether you're considering buying a home, assessing long-term exposure, or simply planning the layout of your property, understanding how far you should live from a

[Contact Us](#)



Contact Us

For datasheets, pricing, or custom fiber access solutions, please visit:
<https://frindel.es>