

How many centimeters longer is the support frame than the cable tray





How many centimeters longer is the support frame than the cable t



Best Practice Guide to Cable Ladder and Cable Tray Systems

Cable ladder systems and cable tray systems shall be manufactured in accordance with BS EN 61537, channel support systems shall be manufactured in accordance with BS 6946.

[Contact Us](#)

Best Practice Guide to Cable Ladder and Cable Tray Systems

Cable ladders, cable trays and their supports made to BS EN 61537 are allowed much greater deflections than this as listed below, so if deflections are important the manufacturer should be

[Contact Us](#)



910533-3_EN

Cable tray types, supports (types and spacing) and securing systems are selected and designed taking into consideration the weight of the cables including reserves, increased by a dynamic shock load of

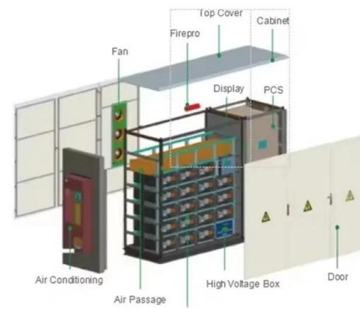
[Contact Us](#)



NEC: Cable Tray Tips , EC& M

Cable trays solve many design and installation problems, save money, and produce a neat, durable installation. For industrial establishments, strongly

[Contact Us](#)



Cable Tray Width, Dimensions and Specifications as per

Learn about cable tray width dimensions and specifications as per NEC standards. Understand types, sizes, materials, and installation guidelines for safe and

[Contact Us](#)



Best Practice Guide to Cable Ladder and Cable Tray

Cable ladder and cable tray systems The following recommendations are intended to be a practical guide to ensure the safe and proper installation of

[Contact Us](#)



Guide to cable support systems

I support systems for cable support structures are used to bridge large loads and support spacings and to cre-ate complex section routes. The systems allow large sup-port spacings of wide span systems

[Contact Us](#)





B-Line series Cable Tray Design Considerations

As an industry leader in cable tray, Eaton offers one of the widest ranges of cable management solutions available in the market today with its B-Line series portfolio. With unmatched quality and service, we

[Contact Us](#)



Chapter 14 Cable Support systems

Cable Support Systems in the International World IEC61537-2004 If full details of the cabling layout are available then the likely cable load can be calculated using either manufacturer's published

[Contact Us](#)

CABLE TRAY SYSTEMS GUIDE

The Ladder Tray features light, rugged, tubular steel construction. It is designed for mechanical support and strain relief in long runs of cable and creates a smooth gradual bend for cable. Rail and stringer

[Contact Us](#)



Cable Tray Support Spacing: Key Guidelines Explained

Explore the essential cable tray support spacing requirements for safe and efficient installations. Learn NEC guidelines for perforated, ladder, and wire

[Contact Us](#)



How to Calculate the Cable Tray Support Quantity

Learn how to accurately calculate cable tray support quantities in electrical installation projects. Our guide covers methods,

[Contact Us](#)



Cable Tray Supports , Information by Electrical Professionals for

Depends on the tray/ladder type the support requirement is tray type and load dependent. Eg. the same tray can be supported with greater intervals for fewer cables.

[Contact Us](#)



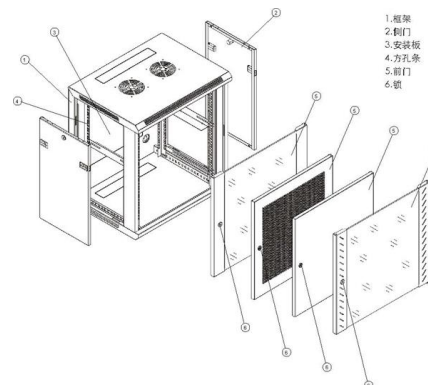
Cable Tray Dimensions Guide: Standard Sizes, Tray



Cable Tray Technical Guide A practical guide to product selection and

Cable tray length is selected based on the load to be supported, the distance between the supports (also referred to as the span), and handling and installation constraints.

[Contact Us](#)



Cable Support Distances

The length between support positions will change depending on the cable design, size, materials and weight. For example, an MDPE sheathed cable will be stiffer and therefore require a greater distance

[Contact Us](#)



We will first explain standard cable tray dimensions used across the industry, then examine how dimensions vary by tray type, and finally show how to

[Contact Us](#)



Cable Tray Technical Guide A practical guide to product selection and

A practical guide to product selection and installation This guide for engineers and installers has been developed by ABB as a practical reference regarding cable tray characteristics, installation, and

[Contact Us](#)

NEC Article 392 Guide: Ensuring Compliance for Cable

The primary rulebook used in the safe use of cable trays is NEC Article 392. This is a description of how to select, install, and support these metal

[Contact Us](#)



IEC Standard for Cable Tray: Complete Technical Guide

IEC Standard for Cable Tray: Complete Technical Guide The International Electrotechnical Commission (IEC) provides detailed guidelines for

[Contact Us](#)





Chapter 14 Cable Support systems

According to the standard the deflection must not be more than 1:100, i.e. that deflection for example on a span on 3 meters can't be more than 3 cm.

[Contact Us](#)



Cable Tray Dimensions and Specifications as per NEC

Cable tray systems are an alternative to wire ways & electrical conduit, which entirely protect wires. Many different types of wire can be accommodated

[Contact Us](#)

Guide to cable support systems

The load capacity of the cable trays according to the support width can be read off in the diagram using load curves - here, shown as an example for a cable tray with the tray widths 100 to 600 mm.

[Contact Us](#)



Cable Tray

The cable tray runs the entire length of the 3D frame I am designing at the same elevation off of the ground. The cable tray is 3' wide and 4" deep and weighs 3.24plf. The frame I am

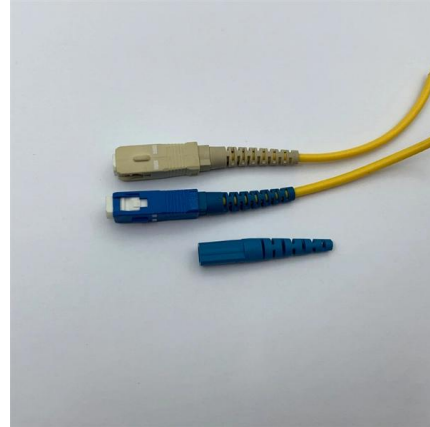
[Contact Us](#)



Best Practice Guide to Cable Ladder, Cable Tray

Associated supports Bespoke supports for cable tray and cable ladder other than BS 6946 channel supports Cable cleats Used within an electrical installation to

[Contact Us](#)



Cable Tray

I am designing a 3D frame inside of a building to be used to support a cable tray running across the length of the building. The cable tray runs the entire length of the 3D frame I am designing

[Contact Us](#)

Contact Us

For datasheets, pricing, or custom fiber access solutions, please visit:
<https://frindel.es>