

# How many aggregation ports can a VLAN switch generate





## How many aggregation ports can a VLAN switch generate

---



### VLAN Port Types: Access vs Trunking vs Hybrid

These port types determine how switches manage data flow, helping organizations enhance security, optimize performance, and simplify network

[Contact Us](#)

### What is a virtual LAN (VLAN) and how does it work with

The following diagram shows a Layer 3 switch with three ports configured to handle the traffic for two VLANs (VLAN 10 and VLAN 20). Ports

[Contact Us](#)



2. Imported design is convenient for expansion.

The design of two inlets saves space and allows for rear line entry.

### Data Center Aggregation Layer Design and Configuration with

Release notes indicate how many port channels are supported based on control-plane capacity - that is, depending on how many VLANs are used, how many SVIs, and so on.

[Contact Us](#)

### What is Switch Aggregation, Its Role and Selection Advice

This article wraps up "what is switch aggregation" and suggestions for choosing an aggregation switch. By considering these factors, network administrators can make informed



### Understanding VLAN Aggregation

Background VLAN technology is widely used on switched networks because it can flexibly control broadcast domains and is easy to deploy. Communication between broadcast domains on a Layer 3

[Contact Us](#)



### Link Aggregation

A Link Aggregation Group (LAG) optimizes the usage of switch ports by linking a group of ports to form a single, logical, higher-bandwidth link. Aggregating ports

[Contact Us](#)



### What is Port Aggregation?

Troubleshooting port aggregation issues involves checking the configuration on both the switch and the server/device. Ensure that the ports are configured correctly, the hashing algorithm is

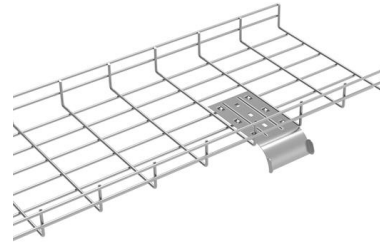
[Contact Us](#)



## What is Link Aggregation (LAG) in Networking?

Link aggregation is a technique used in networking to bundle multiple physical ports on a network device to operate as a single link. The aggregated link acts as a

[Contact Us](#)



## Aggregation Layer

VLAN-A and VLAN-B traffic are then routed over 802.1q trunks between the core and aggregation-layer switches. The routed interfaces, that are typically switch virtual interfaces (SVIs) on the core and

[Contact Us](#)

## Chapter18:Link Aggregation Configuration

1.1 Overview Port aggregation is binding the physical ports with the same attribute together, so as to establish a logic channel. To aggregate multiple physical ports into a logical

[Contact Us](#)



## Multicast address

In support of link-local multicasts which do not use IGMP, any IPv4 multicast address that falls within the \*.0.0.0 / 24 and \*.128.0.0 / 24 ranges will be broadcast to all ports on many Ethernet switches, even if

[Contact Us](#)

## What are link aggregation and LACP and how can I use



Some network devices support Link Aggregation Control Protocol (LACP), which helps to prevent errors in the link aggregation setup process.

[Contact Us](#)



### Switch Ports

Meraki's MS switches allow for the configuration of a single port to thousands of ports through our industry-first Virtual Stacking technology. Virtual Stacking provides centralized

[Contact Us](#)

### Port Aggregation FAQs

All UniFi Switches support aggregation, except USW-Flex, USW-Flex-Mini and USW-Ultra. Port aggregation is not supported on most UniFi Gateways; it is only

[Contact Us](#)



### How many Switch virtual interfaces or routed ports can be configured

Resolution There is no defined limit to the number of Switch virtual interfaces (SVIs) and routed ports that can be configured in a switch. But, the interrelationship between the number of SVIs

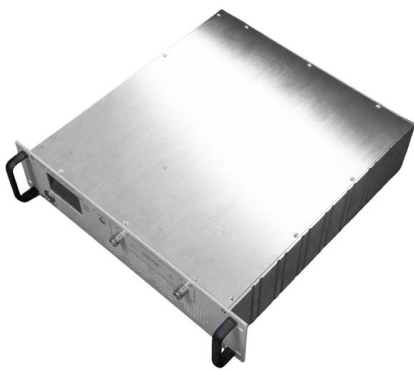
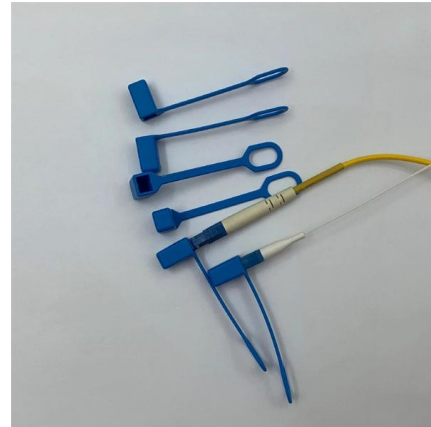
[Contact Us](#)



### Application Note

Link Aggregation Control Protocol (LACP) is an IEEE 802.3ad standard protocol that allows bundling several physical ports together to form a single logical port. When LACP is enabled on a port, with

[Contact Us](#)



### Setting up VLAN across 2 switches with link aggregation

I'm struggling for the definitive answer on this, so i'm hoping someone here can help I have 2 D-Link smart switches (a DGS1224T and a DGS-1210 24) I'm going to use them together to

[Contact Us](#)

### Technical Tip: How to create an aggregate interface 802.3ad using

Description This article describes how to create an aggregation interface 802.3ad (LACP) using two or more (if necessary) physical interfaces. Scop

[Contact Us](#)



### Understanding VLAN Aggregation

In VLAN aggregation, sub-VLANs can belong to the same subnet instead of different subnets, and the required number of IP addresses can be flexibly assigned to hosts in sub-VLANs from the subnet

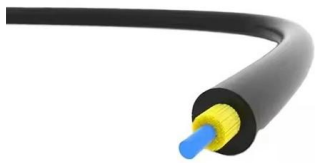
[Contact Us](#)



## Etherchannels and LAGs

Etherchannels are used with physical switches, virtual switches, and other network devices. Examples of etherchannels with virtual switching is connecting a

[Contact Us](#)



## Switch Ports

The MS switches support Link Aggregation (LACP) groups of up to 8 ports on the same switch or physical stack. A "Link Aggregate" is a combination of ports that act as one logical link.

[Contact Us](#)

## Aggregation Switch

The 12-bit VLAN identifier supports up to 4,095 subscribers. When using an aggregation switch with a C-VLAN topology, there are two situations to consider: 1. If there are (and always will be) less than



[Contact Us](#)



## Port Aggregation FAQs

Switch-to-Client Aggregation: This is beneficial when a single client device, such as a high-performance server, requires more bandwidth than a single port can

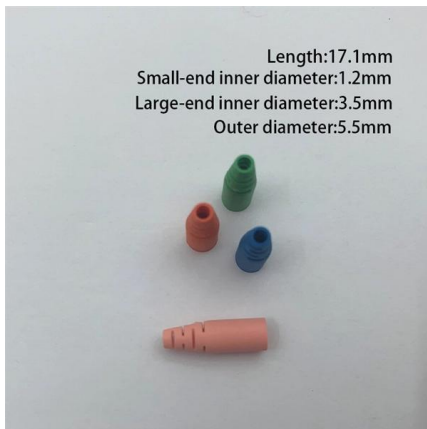
[Contact Us](#)



### How to create and manage Link Aggregation (LAG) on a Dell

Link Aggregation optimizes port usage by linking a group of ports together to form a single Link Aggregation Group (LAG). Aggregating ports multiplies the bandwidth between two

[Contact Us](#)



### vlan

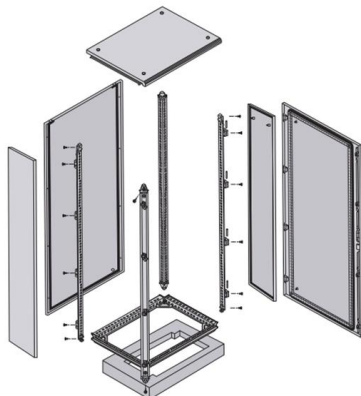
I have a project where I need 40 Gbps links between switches. My plan was to have my three switches use all four of the 10Gb uplink ports to a fourth "aggregator switch" so that I'd have the necessary

[Contact Us](#)

### How to configure Link Aggregation

Up to four ports can be aggregated in a logical group, and there can be four Logical Links (LAGs) configured. With Static Link Aggregation, all

[Contact Us](#)



### VLAN Port Types Explained , Network Solutions by

Discover the essentials of VLAN port types with Omnitron Systems! Learn how access, trunk, and hybrid ports enhance your network's efficiency and flexibility.

[Contact Us](#)

### What Is an Aggregation Switch and How to



## Choose?

An aggregation switch is a network device that consolidates traffic from multiple access switches, wireless access points, or other edge devices and

[Contact Us](#)



## Everything You Need to Know About Aggregation Switch

Port Density: Aggregation switches should have adequate port density to accommodate high-traffic volumes from different access switches.  
Bandwidth:

[Contact Us](#)

## Contact Us

---

For datasheets, pricing, or custom fiber access solutions, please visit:  
<https://frindel.es>