

How long is a 1kg small main thread





Overview

Common Dimensions for 1kg Spools: Outer Diameter (Flange Diameter):
Around 200mm (7. Please read the manual below to use it as best as possible!
Data Input: The data input must be in the default units of the relevant thread
standard. Threads are helical grooves and ridges wrapped around a cylindrical
shaft that convert rotational motion to linear motion. Which product meets
your requirements?

We are networking the strengths of our three divisions in your interest for
your application. By summing the Threaded Rod diameter (which must be in
mm), Rod number per inch, Threaded Rod width (which must be in meters),
and Threaded Rod length (which must be in meters), you can easily get the
Threaded Rod weight chart in MM, KG, and PDF. While not standardized,
spools generally adhere to common sizes, especially for standard 1kg spools.



How long is a 1kg small main thread



3D Printer Filament: Filament Diameter and Spool

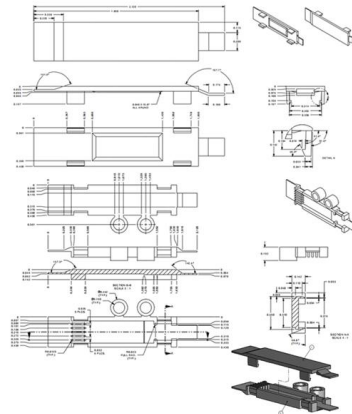
While not standardized, spools generally adhere to common sizes, especially for standard 1kg spools. Common Dimensions for 1kg Spools:
Outer

[Contact Us](#)

Full Thread Stud Weight Chart , Kg per Meter & Per Piece

Get the complete Full Thread Stud Weight Chart with sizes in mm and inches. Check weight in Kg per 100, 1000 pieces, or per meter for fastener planning.

[Contact Us](#)



Threaded Rod Weight Chart in mm, kg & PDF (2024)

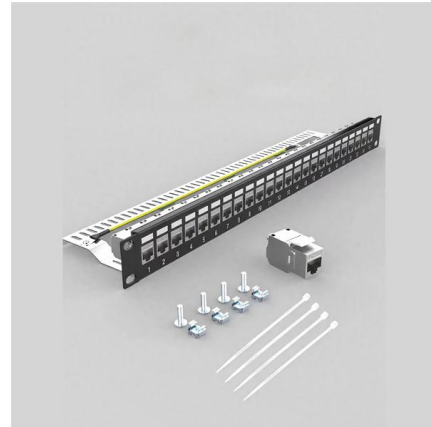
Threaded rods are a diverse component in the fastener world, with uses ranging from structural to mechanical and construction. Whether you're working on a large

[Contact Us](#)

Thread Pitch Chart

Standard thread pitch explanations and a chart showing number of threads per inch for National Coarse, National Fine and 8 Pitch threads.

[Contact Us](#)



Small-Bore Fittings: Learn All the Different Thread Types

Learn how to determine fluid system fitting thread size and pitch using a caliper, pitch gauge, and thread identification guide.

[Contact Us](#)



Threaded Rod Weight Chart in mm kg & per meter, foot

Find the Threaded Rod weight chart with measurements in mm, kg, per meter, and per foot. Access accurate weight details for various sizes to ensure precise calculations and efficient installations.

[Contact Us](#)



Thread cutting calculator

We are networking the strengths of our three divisions in your interest for your application. Special tools for refining industrial surfaces. CNC tool holders and machining units to multiply the capacity.

[Contact Us](#)





Complete Thread Size Chart Guide: Understanding All

What are the Main Types of Thread Standards used Worldwide? The main thread standards used globally include ISO metric threads, Unified Thread

[Contact Us](#)



Thread Calculator

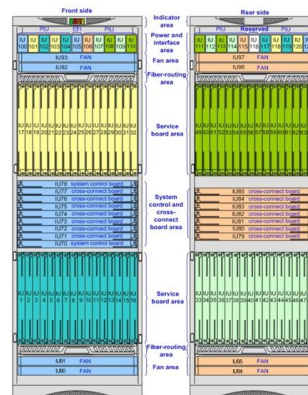
Find out the different cross-sectional dimensions of any metric bolt's external thread and nut's internal thread using this thread calculator, given the thread pitch, basic

[Contact Us](#)

THREAD WEIGHT

Weight A smaller weight number indicates a heavier thread. The weight of a thread is actually a length measurement. Dividing the length of thread by a set weight

[Contact Us](#)



Threaded Rod Weight Chart , Fully Threaded Studs Weights

View Fully Threaded Rods Weight Chart online FULLY THREADED RODS

[Contact Us](#)





Threaded Rod Fastener Weight Chart in kg, mm PDF

Threaded Rod Weight Chart In mm, kg, pdf - Bhansali Fasteners Bhansali Fasteners is one of the leading Threaded Rod Weight Chart, Size Chart, Dimension Chart in mm kg pdf. Our weight chart is

[Contact Us](#)



Whitworth Thread Standard Calculator Online

The Whitworth Thread Standard Calculator helps determining the minor diameter of threads based on the major diameter and pitch.

[Contact Us](#)



Threaded Rod Weight Chart In Mm Kg Pdf , 2026 Guide

Customers can quickly acquire exact weight estimates using our Threaded Rods Weight Chart by entering the diameter (in MM) of the threaded rod, the number of rods per inch, the rod

[Contact Us](#)



Minimum Thread Engagement , Standards, Charts

Learn the technical requirements for minimum thread engagement. Discover material-specific multipliers and how to calculate safe thread depth.

[Contact Us](#)



How Much Is Thread: The Ultimate Guide to Measuring

Discover exactly how much thread is needed for sewing projects with our guide. Learn measurement techniques, consumption rates, and tips to avoid waste and

[Contact Us](#)



How much welding from 1 kg spools?

Hi, Considering buying this MIG welder. It's gas/no gas 178 Euro, integrated torch but I think I can convert it to a Euro torch Also don;t know about

[Contact Us](#)

How Long Does 1KG Filament Last? (With Calculator)

So, How Long Does a 1kg Spool of Filament Last? Based on a 3D printer usage of 7 grams of material per hour, a 1 kg spool of filament will last 4.5

[Contact Us](#)



M240 machine gun

The M240, officially the Medium Machine Gun, 7.62 mm, M240, is the U.S. military designation for the FN MAG, a family of belt-fed, gas-operated medium

[Contact Us](#)



Threads Length Calculator: Accurate Thread Calculation



A Threads Length Calculator simplifies this process by providing a quick way to determine how much thread you need based on the weight and type of material. This tool helps in textile production,

[Contact Us](#)



Fly Tying Thread Sizes Explained With Easy Reference

It's not always about the size of the fly. I've tied long tailed flies on very tiny hooks, and when using tiny hooks, I need small thread. Hook sizes and

[Contact Us](#)

Everything you need to know about thread weight

So now you know that thread weight refers to a comparison between length and weight, you can work out which

[Contact Us](#)



How Many Meters of Filament in 1KG? [Filament]

How Long is 1kg of PLA Filament? Wondering how many meters are in a KG of filament? We make it easy for you in the table below. Our filament

[Contact Us](#)

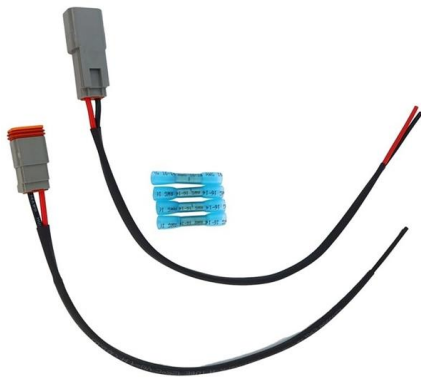




Essential Guide to Thread Sizing: Choosing the Right Thread Size

Thread sizing refers to the thickness of the thread, which affects its strength, appearance, and suitability for different fabrics. This guide will help you understand various thread sizing systems

[Contact Us](#)



Threaded Rods Weight Chart For Quick Reference

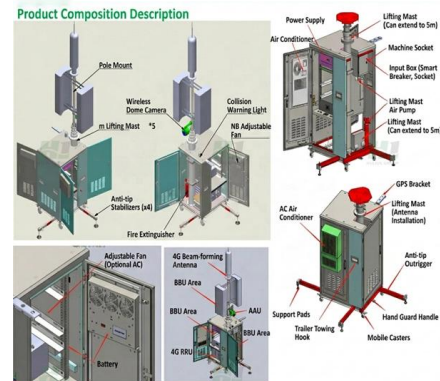
Threaded Rods What Is a Threaded Rod? A threaded rod also known as a stud or all-thread is a long, straight bar that is fully or partially threaded along its length. These rods are used in various

[Contact Us](#)

Press corner , European Commission

Find highlights, press releases, and speeches from the European Commission in one place.

[Contact Us](#)



Thread Calculator , Free Metric & Imperial Thread Dimension Calculator

Free thread calculator for metric ISO and imperial UNC/UNF threads. Calculate major, pitch, and minor diameters, thread tolerances, and specifications with professional engineering accuracy.

[Contact Us](#)





Contact Us

For datasheets, pricing, or custom fiber access solutions, please visit:
<https://frindel.es>