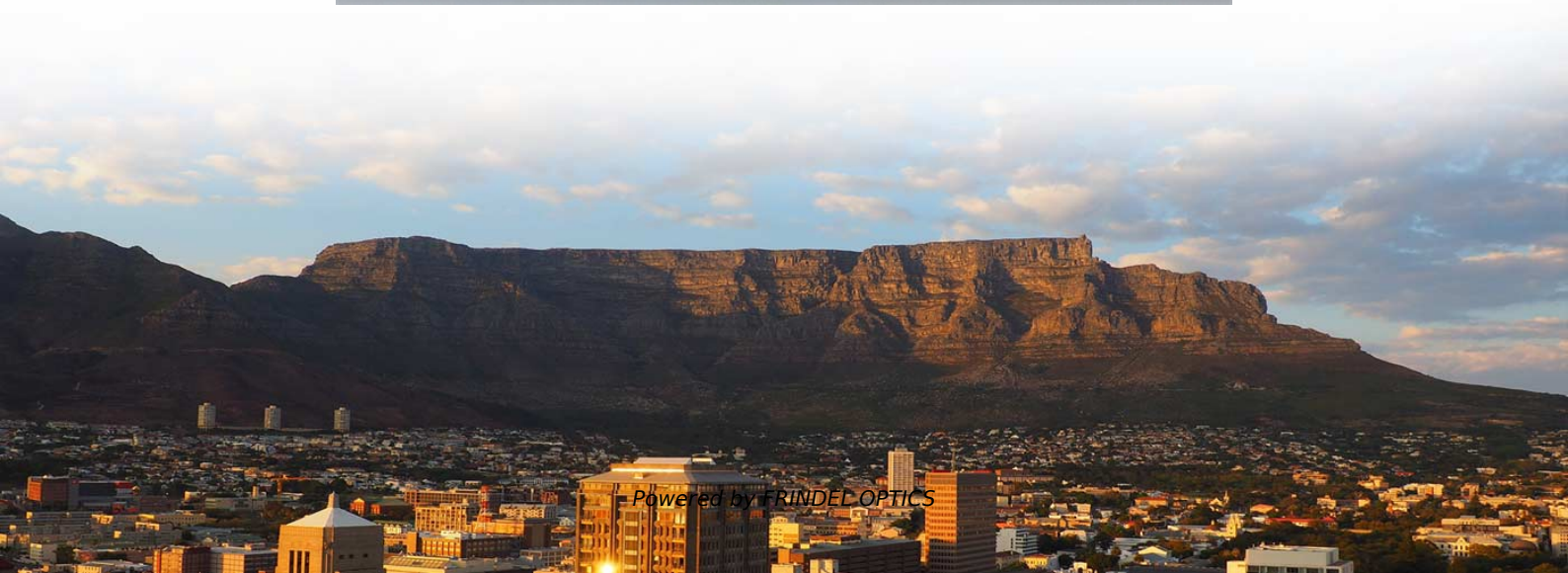


How far can a 4-core optical fiber cable be stretched



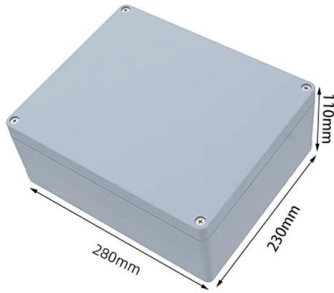


Overview

Fiber optic cable can be run anywhere from 300 meters up to 80 kilometers (roughly 50 miles) depending on the cable type, transceiver used, and network standard. Fiber optic cable transmission distance is determined by two primary physical factors that affect signal quality as light travels through the fiber medium. Many factors decide the fiber cable distance, but the key factors include the below six aspects. Minimize mechanical pressure on the outer sheath at crossing points: (armoured) cables crossing each other generate points of high pressure, so it is important when laying in figure 8 loops it is done in a correct way.



How far can a 4-core optical fiber cable be stretched



How Far Can Fiber Optic Cable Be Run? Distance Limits Explained

Fiber optic cables can span 2km to 100km+ depending on type. Learn about single-mode, multimode distance limits, and factors affecting range.

[Contact Us](#)

Fiber Optic Cable Distance: A Comprehensive Guide

In this guide, we'll explore how fiber optic cables function, the maximum distances for different types of fiber optics, and tips for optimizing signal

[Contact Us](#)



How to choose the right fiber cores

For fiber-optic cables with branches, the total number of cores is equal to the number of branches multiplied by the number of cores per branch. For example, the total number of cores in an MTP®-8

[Contact Us](#)

Fiber Optic Cable Bend Radius or Diameter

Fiber Optic Cable Bend Radius or Diameter All fiber optic cables have specifications that must not be exceeded during installation to prevent irreparable damage to

[Contact Us](#)



Fiber Optic Cable Distance: A Comprehensive Guide

Fiber optic cables are the backbone of modern communications, enabling high-speed data transfer over vast distances. Unlike traditional copper

[Contact Us](#)



The Ultimate Fiber Optic Cable Size Reference Chart

Choosing the Right Fiber Size for Your Application
Selecting the correct fiber optic size for your specific application is crucial to ensuring optimal

[Contact Us](#)



4 Core Optical Fiber Cable Specification

*Exact product code is subject to the cable length. Specifications are correct at time of printing and subject to change or alteration without notice.

[Contact Us](#)



Fiber Optic Cables How Far Is Too Far



In theory, light could travel through fiber indefinitely, but signal attenuation and dispersion limit practical distances. With ideal amplification and

[Contact Us](#)



Extending optical fibre cabling: problems and solutions

Also, comparing two MAT values with a similar fibre extension level makes it possible to choose the best cable performance for a sustainable optical network. How can

[Contact Us](#)

Unraveling the Secrets: How Far Can Fiber Optic HDMI Cables Really Stretch?

In the world of audiovisual technology, the quest for optimal connectivity and performance continues to drive innovation. Among the latest breakthroughs, fiber optic HDMI cables have emerged as a game



[Contact Us](#)



Fiber Optic Cable Distance: A Comprehensive Guide

Learn all about fiber optic cable distance and the key factors that affect it. Find out how to select the appropriate cables for your network and

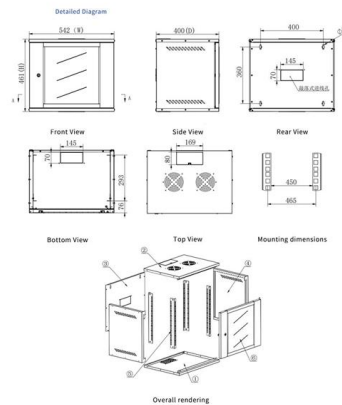
[Contact Us](#)



How Far Can a Fiber Optic Cable Be Run? The Practical

In a perfect, lab-like setting without signal degradation, fiber optics could theoretically transmit data for hundreds of thousands of kilometers.

[Contact Us](#)



How much power can an Optical Fiber carry? : r/askscience

I don't know exactly how much power they can carry, but hollow core fibers are pretty good at it, as the beam is almost not touching the glass but the gas inside, and gases are highly resistant to optical

[Contact Us](#)

Quora

Hier sollte eine Beschreibung angezeigt werden, diese Seite lässt dies jedoch nicht zu.

[Contact Us](#)



How to Choose the Suitable Number of Fiber Cores for

When designing or upgrading your network infrastructure, one of the most important decisions you'll face is choosing the appropriate number of fiber

[Contact Us](#)

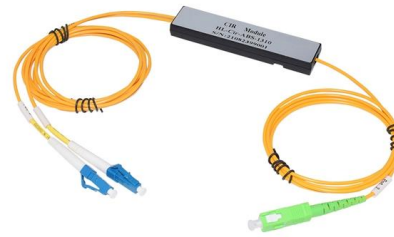




4 Core Optical Fiber Cable Specification

931-0XXX-04-0 Single Mode 4-core Optical Fiber Cable XXXm 932-0XXX-04-0 Multiple Mode 4-core Optical Fiber Cable XXXm *Exact product code is subject to the cable length.

[Contact Us](#)



Fiber Optic Cable Bend Radius: What Is It & Why It Matters

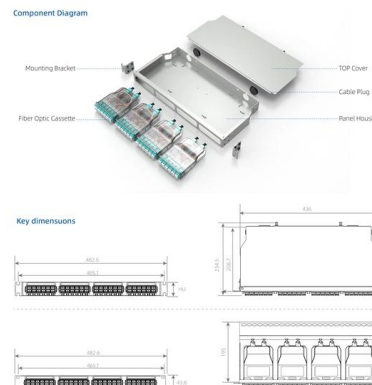
Worried about damaging fiber optic cables during installation? Learn how to calculate fiber optic cable bend radius to protect your network.

[Contact Us](#)

How Far Can a Fiber Optic Cable Be Run? Distance Guide

Fiber optic cables can run up to 80 km without a repeater. Learn exact limits by cable type, application, and how to extend your network.

[Contact Us](#)



How Many Core In Fiber Optic Cable Do I Need

The number of optical cores in an optical fiber is the total number of equipment interfaces multiplied by 2, plus 10% to 20% of the spare quantity, and

[Contact Us](#)



How Many Cores Do You Need in Your Fiber Optic

Fiber optic cables are the backbone of modern internet infrastructure, but choosing the right one can be tricky. One key factor is the number of cores,

[Contact Us](#)



Fiber Optic Cable Range: Comprehensive Guide -

Fiber optic cable range explained with key tips on distance, types, and setup to keep connections stable, fast, and ready for future upgrades.

[Contact Us](#)

Fiber Optic Cable Range: Comprehensive Guide

Fiber optic cable range varies depending on whether you're using single or multimode fiber. Learn the potential for both cable types.

[Contact Us](#)



How Far Can Fiber Optic Cable Be Run? Distance Limits Explained

Single-mode fiber (SMF) supports distances up to 40-100+ kilometers for standard applications, while multimode fiber (MMF) is typically limited to 300 meters to 2 kilometers. The

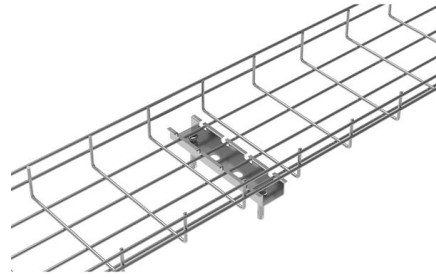
[Contact Us](#)



Fiber Optic Cable Distance: A Comprehensive Guide

How far is the multimode fiber distance?
Multimode Fiber Optical Transmission Unlike single-mode fiber optics (SMF), multimode fiber optics

[Contact Us](#)



Optical Fiber Cable Installation Guideline

However, you can only push a cable to the point that it buckles, which can be less than 50N for a flexible, indoor cable, and up to 300N for an armored, outdoor type cable.

[Contact Us](#)

Opti-Core Fibre Optic Indoor-Outdoor 4 Fibre Cable

This cable has flame retardant and LSZH properties and is ideal for indoor installations. The cable is water-blocked and well suited for installation in ducts and on trays indoors and limited outdoor use in

[Contact Us](#)



Fiber-optic cable

A fiber-optic cable, also known as an optical-fiber cable, is an assembly similar to an electrical cable but containing one or more optical fibers that are used to carry

[Contact Us](#)



Fibre Optic Distance Limits Explained - OM3, OM4 & OS2

In simple terms, how far can a fibre cable transmit a signal before it begins to degrade? The answer depends on several interrelated

[Contact Us](#)



How Far Can Fiber Optic Cable Run: Best Insights 2025

Discover how far can fiber optic cable run, explore cable types, factors, and tips for maximizing network performance.

[Contact Us](#)

Contact Us

For datasheets, pricing, or custom fiber access solutions, please visit:
<https://frindel.es>