

How do manufacturers produce optical cables





Overview

Optical cables are born from ultra-pure glass preforms, drawn into hair-thin fibers, coated for protection, bundled strategically, and encased in durable jackets. Learn about raw materials, fiber drawing, cabling, and quality control in modern optical cable manufacturing. Fiber optic cables are the backbone of today's high-speed internet, telecommunication systems, and data transfer technologies. Unlike traditional copper cables, fiber optic cables use light signals to transmit data, which allows them to carry large amounts of information at extremely high speeds. Fiber optic technology has revolutionized the way information is transmitted, offering numerous advantages over traditional copper wiring.



How do manufacturers produce optical cables



Fiber Optic Cable Manufacturing Process: How They Are Made

Discover how fiber optic cables are made, from silica preforms to final testing, and explore their key applications across telecom, industry and smart cities.

[Contact Us](#)

Fiber Optic Cable Manufacturing Process: How They

Fiber optic cables are the backbone of today's high-speed internet, telecommunication systems, and data transfer technologies. Unlike traditional

[Contact Us](#)



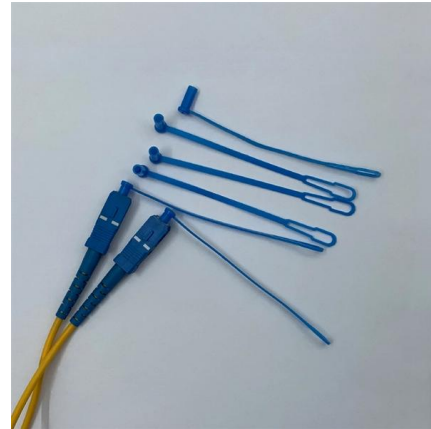
The Complete Guide to Fiber Optic Cable Manufacturing: Powering

The journey begins with preform production, a critical phase demanding absolute precision. Using state-of-the-art equipment, manufacturers create the glass preform that will

[Contact Us](#)

Guide to the Construction of Optical Fiber Cable Factories

The main processes involved in optical fiber cable manufacturing include fiber production, cable sheathing, cable assembly, and testing. Each process requires



Techniques and Advances in Optical Fiber Manufacturing

Explore the intricate techniques and innovations in optical fiber manufacturing. Discover the materials, drawing methods, and future trends in fiber optics! ??

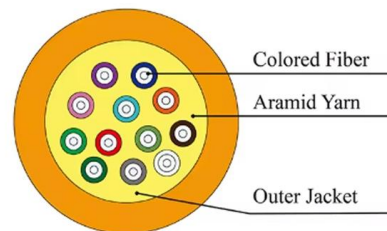
[Contact Us](#)



How Fiber Optic Cables Are Manufactured

Find the Right Fiber Optic Cables for Your Use Case
Fiber cable manufacturing is a delicate process that requires creating strands of pure glass that is capable of

[Contact Us](#)



Optical Fiber Manufacturing: From Preform to Final Fiber

Explore the optical fiber manufacturing steps: preform production (MCVD, OVD) and fiber drawing. Learn how high-purity materials and precision techniques create

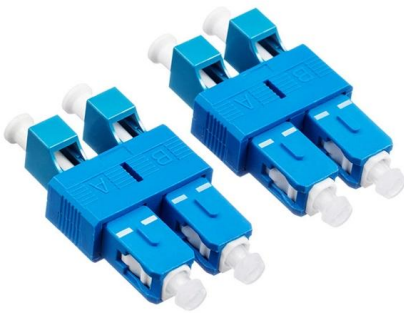
[Contact Us](#)



How Fiber Optic Cables are Made

These advanced cables are crucial for modern communication infrastructure, with traditional methods of fiber optic manufacturing still valued for their ability to produce cables with exceptional

[Contact Us](#)



How Millions of Meters of Optical Fiber Cable Are Made - Fiber Optic

How Millions of Meters of Optical Fiber Cable Are Made - Fiber Optic Cable Mass Production Line Did you know that the backbone of today's internet isn't satellites in space, but millions of

[Contact Us](#)

Fiber Optic Cable Manufacturing Process: How They

In this blog, we'll take a closer look at the step-by-step fiber optic cable manufacturing process, the materials used, and why these cables are so

[Contact Us](#)



How Fiber Optic Cables Are Made?

Conclusion The manufacturing of fiber optic cables is a highly specialized process that combines precision glass-making techniques with advanced engineering to produce cables capable

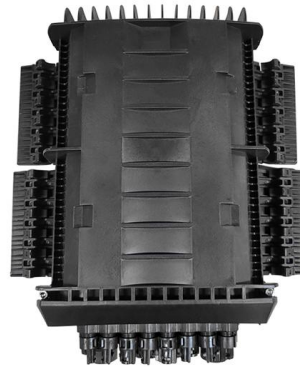
[Contact Us](#)



Fiber Optic Cable Manufacturing Process: A Detailed Overview

Fiber optic cables have revolutionized data transmission, providing high-speed, reliable communication over long distances. The manufacturing of these cables is a complex process that

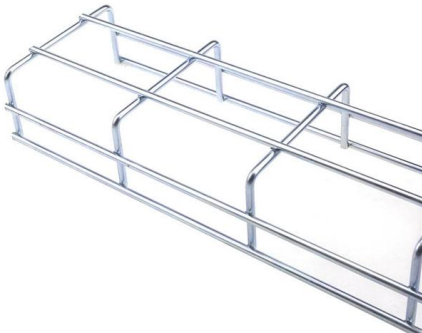
[Contact Us](#)



Optical Fiber Manufacturing Process And Methods

Adhering to exacting quality standards is paramount when fabricating the optical fiber and protective cable assembly. Consistent precision is required in

[Contact Us](#)



Optical Cable Manufacturing: A Deep Dive into the Process

Explore the optical cable manufacturing process. Learn about raw materials, fiber drawing, cabling, and quality control in modern optical cable

[Contact Us](#)



Top 20 Fiber Optic Cable Manufacturers in the World

Based on 2025 rankings from industry sources like Owire and TSCables, the top manufacturers are evaluated on market share, innovation, and

[Contact Us](#)





How Fiber Optic Cables are Manufactured

Fiber optic cables have revolutionized the telecommunications industry, enabling high-speed data transmission over long distances. But have

[Contact Us](#)



Top 21 Fiber Optics Manufacturing Companies

The fiber optics manufacturing industry focuses on creating high-speed data transmission products. Companies in this sector produce fiber optic cables, connectors, and components that serve

[Contact Us](#)

How Corning Makes Super-Pure Glass for Fiber-Optic

How Corning Makes Super-Pure Glass for Fiber-Optic Cable The glass company can't just melt silica. The process involves glass soot particles and a

[Contact Us](#)



Techniques and Advances in Optical Fiber Manufacturing

Understanding these fundamental aspects of optical fiber sets the stage for our exploration of its manufacturing techniques and the advances that are continually

[Contact Us](#)



Exploring the Complex Manufacturing Process of Fiber

How Does Fiber Optics Made? Discover how the complex manufacturing process has evolved to transmit data at high speeds across long

[Contact Us](#)



Top 24 Fiber Optic Cable Manufacturing Companies

Explore fiber optic cable manufacturing companies like AFL and WEC, emphasizing innovation and quality in telecommunications solutions.

[Contact Us](#)



How are fiber optic cables made? , C& C Partners

How are fiber optic cables made? Fiber optic cables are a key component of modern communication systems, offering high-speed and reliable data transmission over long distances. The manufacturing

[Contact Us](#)



Steps in Fiber Optic Cable Manufacturing Process

Explore the intricate steps and materials in fiber optic cable manufacturing process. Learn about cable testing methods and quality control.

[Contact Us](#)



An inside look at how fiber optic glass is made

An inside look at how fiber optic glass is made At Corning's Wilmington, North Carolina factory, high temperatures and intense chemistry turn silica into

[Contact Us](#)



Contact Us

For datasheets, pricing, or custom fiber access solutions, please visit:
<https://frindel.es>