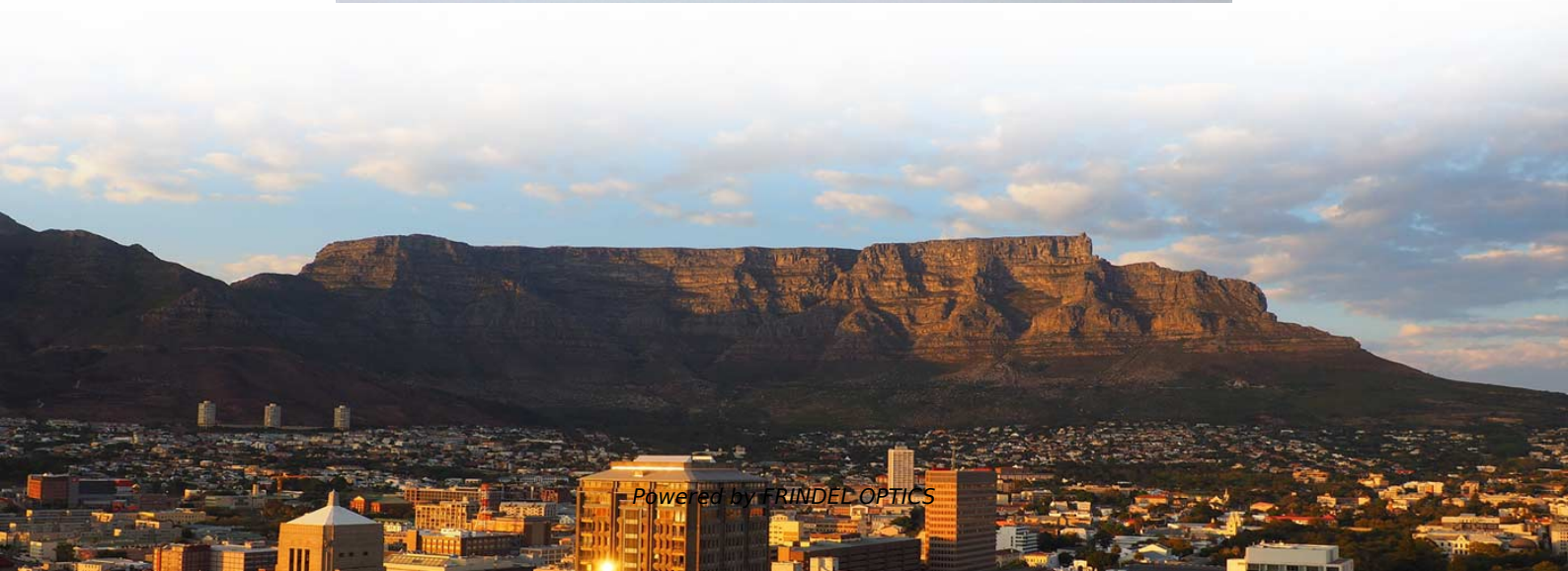


How are fiber optic cable boxes spliced



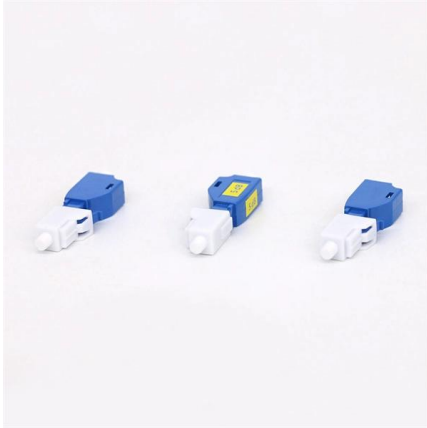


Overview

Fusion splicing is the most common and permanent method, where two fiber ends are fused together using heat, typically from an electric arc. This method provides the lowest signal loss and is ideal for long-term or high-performance applications. Another method of connecting optical fibers is termination or connectorization, which consists of processing the end of a fiber optic bundle so that it can be connected to other fibers or devices through fiber optic. As fiber optic connections become increasingly mainstream, the need to connect fiber optic cables to one another — or splicing — is also on the rise.



How are fiber optic cable boxes spliced



Fiber optic junction box, Fiber optic terminal box

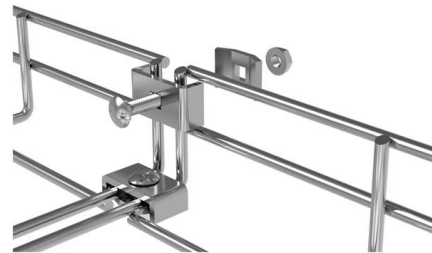
Find your fiber optic junction box easily amongst the 67 products from the leading brands (HUBER+SUHNER, BOPLA, METZ CONNECT,) on DirectIndustry, the

[Contact Us](#)

The Complete Step-by-Step Guide to Fiber Optic Splicing

As fiber optic connections become increasingly mainstream, the need to connect fiber optic cables to one another -- or splicing -- is also on the rise. In this guide,

[Contact Us](#)



Fiber Optic Cable Splicing Explained

To begin, the standard definition of splicing in optical fiber is joining two fiber optic cables together. The other, more common, method of joining fibers is

[Contact Us](#)



Fiber Optic Splicing Types, Methods, and Applications

Fiber optic splicing is primarily categorized into two methods: fusion splicing and mechanical splicing. Each has its application, cost, and performance factors.



Fiber Optic Cable Splicing Methods: A Practical Guide

The two primary industry-accepted methods for fiber optic cable splicing are fusion splicing and mechanical splicing. The choice between them depends on performance requirements,

[Contact Us](#)

Motor protection controller



Termination of Fiber Optic Cables

This fiber optic installation method statement covers the termination of fiber optic cables with patch panel, network distribution cabinet NDC and door junction box

[Contact Us](#)



Fiber Optic Splicing: A Complete Guide , Jonard Tools

This guide will walk you through the complete process of fiber optic splicing--covering each step in detail so you can deliver a clean, professional

[Contact Us](#)

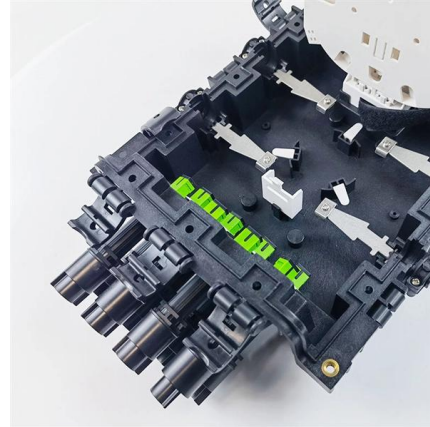




Fiber Optic Cable Splicer: A Simple Guide to Joining Light Paths

Fiber optic splicers join tiny glass fibers by fusing them with heat, ensuring high-speed internet runs smoothly across broken or connected cables worldwide.

[Contact Us](#)



The Complete Step-by-Step Guide to Fiber Optic Splicing

In this guide, we cover the basics of fiber optic splicing, how to perform splicing using two different methods, and finally some best practices to perform good fiber splicing.

[Contact Us](#)

Fiber Optic Cable Splice: The Complete Guide

In fiber optic splicing, two main methods dominate: fiber fusion splice, which melts fibers together, and mechanical splicing, which aligns them

[Contact Us](#)



Pre-terminated vs. Spliced fibre connections: a comparative analysis

Efficient, predictable, and faster to deploy, pre-terminated fibre is driving a new era of connectivity, setting the standard for large-scale, high-performance fibre optic networks worldwide. In

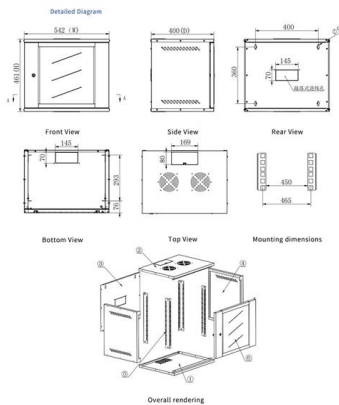
[Contact Us](#)



Fiber Optic Splice Boxes: Selection Criteria, and

This history is invaluable for streamlining future troubleshooting and network planning. Conclusion Fiber Optic Splice Boxes are fundamental to the resilience

[Contact Us](#)



How is Fiber Internet Installed? Everything You Need to

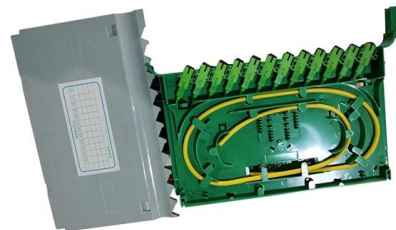
Explore how fiber optic internet is installed in your home, with step-by-step details on cables, ONTs, routers, and what to expect during the appointment.

[Contact Us](#)

2025 Guide to Fiber Optic Splice Enclosures for Extreme

Ensure reliable networks in extreme weather with fiber optic splice enclosures. Learn about materials, weatherproof ratings, and installation tips for

[Contact Us](#)



The FOA Reference For Fiber Optics

When splicing similar cables on long runs, fibers should be spliced straight through according to color codes to continue the same color coding for each joined fiber

[Contact Us](#)



Outdoor Fiber Optic Splicing Boxes: A Simple Guide

A fiber optic splicing box serves as a protective enclosure for spliced fiber optic cables. It provides a secure environment for connecting individual

[Contact Us](#)



Fiber Cable Mechanical Splicing Guide Using Fiber

Learn how to perform mechanical fiber cable splicing inside fiber enclosures using fiber splice trays. This step-by-step guide covers fiber

[Contact Us](#)

TJ Box/ Fiber Joint Box (4 Way) Price in Bangladesh

The fiber joint box is designed to offer ample space and reliable protection for splicing and joining fiber optic cables. It serves as a secure enclosure for these

[Contact Us](#)



Fiber Optic Splice Closure, Electrical Cable Junction

Fiber optical splice closure is widely used in communication, network systems, CATV cable TV, optical cable network systems, and so on. It is used for protective

[Contact Us](#)



Fiber Optic Splice Enclosures , Splice Boxes , Fusing Splicing

Fiber Optic Splice Enclosures are essential components for protecting fiber optic splices and ensuring safe, secure, and organized fiber management. These enclosures are designed to accommodate

[Contact Us](#)



What Is Fiber Optic Cable Splicing? A Beginner's Guide

Fiber optic splicing is often the preferred way to connect two fiber optic cables because it has lower light loss (attenuation) and back reflection than connectorization. Fusion splicing and

[Contact Us](#)

Izimboni Ezi-5 Eziphezulu Zekhebula Le-HDMI Le-Fiber Optic

Fiber Optic HDMI & DisplayPort AOCs: Type-A HDMI 2.0 AOC and fiber optic DisplayPort cables supporting up to 4K@60Hz and 18 Gbps. Network & Specialty Fiber Products: MPO/MTP trunks,

[Contact Us](#)



What is Fiber Optic Cable Splicing?

Fiber splicing is the preferred way when cable lines are too long for a single length of fiber or when combining two different types of cable. Fusion splicing and Mechanical splicing are two

[Contact Us](#)



What Is Fiber Optic Cable Splicing? A Beginner's Guide

Fiber optic splicing is often the preferred way to connect two fiber optic cables because it has lower light loss (attenuation) and back reflection than

[Contact Us](#)



Splicing Fiber Optic Cables , A Beginner's Guide

Fiber splicing is a vital technique in cable maintenance. Knowing how to splice fiber optic cables is key for data communications with superior performance.

[Contact Us](#)



FTTH Drop Cables , Indoor & Outdoor Fiber Drop Solutions

ZION COMMUNICATION offers a full range of FTTH drop cables for indoor and outdoor installations, including flat, round, figure-8, and pre-terminated

[Contact Us](#)



Contact Us

For datasheets, pricing, or custom fiber access solutions, please visit:
<https://frindel.es>