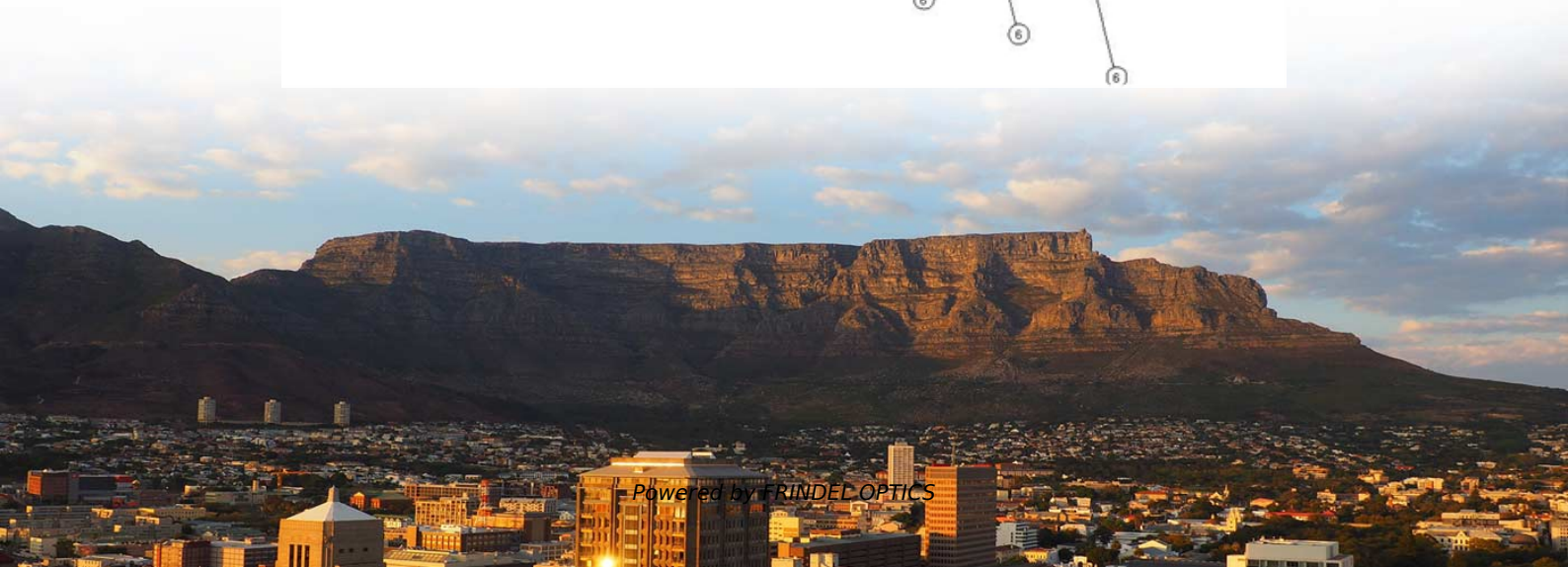
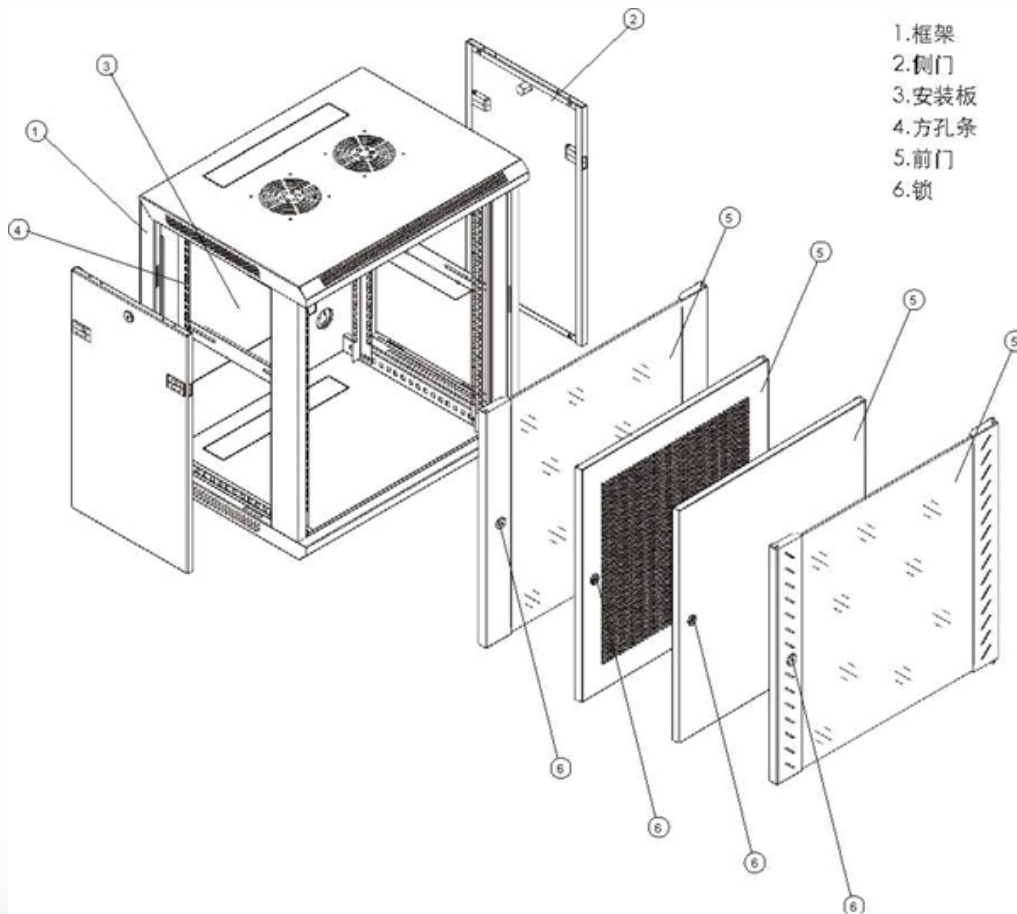


High-density fiber distribution box for relay protection resistant to high temperatures





High-density fiber distribution box for relay protection resistant to



Fiber Optic Enclosures , Leviton Network Solutions

Leviton's fiber optic enclosures offer solutions for many types of installations, from the high-density data centers to distributed workstations. Zone enclosures offer

[Contact Us](#)

Weunion Fiber Distribution Cabinets: High-Capacity, IP65-Rated

Enterprise Networks: Centralizing fiber distribution for campus-wide connectivity. 2. Outdoor Weatherproof Cabinet Engineered to withstand extreme weather conditions, Weunion's



[Contact Us](#)



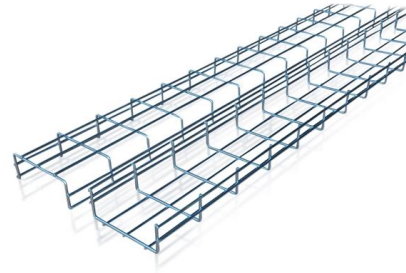
Fiber Optic Distribution Box -- FTTH & ODN , TTI Fiber

TTI Fiber manufactures fiber optic distribution boxes in wall-mount, pole-mount, and rack-mount configurations with capacities from 8 to 96 fiber cores. Our indoor models use powder-coated cold

[Contact Us](#)

Rackmount Fiber Patch Panels

Having a centralized location to manage fiber network connections minimizes system downtime and expedites maintenance. Fiber Optic Patch Panels, also known as fiber optic distribution boxes or



Fiber Optic Distribution Boxes (FDB) & ODF Supplier

OTRANS is a leading fiber optic distribution box manufacturer. We offer a wide range of 1-24 core FDB boxes and ODF cabinets for indoor/outdoor FTTX deployment.

[Contact Us](#)

Fiber Management OPTICAL DISTRIBUTION FRAME (ODF)

MODEL ODF-C220 Fiber-Rex ODF is a high capacity, high-density fiber distribution frame, suitable for the composition and distribution of fibers in optical access network to achieve the fiber optic lines

[Contact Us](#)



Hybrid Optic-Power Distribution Box 24 fibres

Telhua's Hybrid Optic-Power Distribution Box 24 fibres delivers high-density fiber optic termination with IEC/TIA compliance, IP65 protection, and optimized

[Contact Us](#)





How to Choose the Right Fiber Distribution Box for

Selecting the right fiber distribution box (FDB) is a critical decision for any FTTH, FTTB, or campus PON deployment. As the junction point for fiber

[Contact Us](#)



Hybrid Optic-Power Distribution Box 24 fibres

Telhua's Hybrid Optic-Power Distribution Box 24 fibres delivers high-density fiber

[Contact Us](#)



Fiber Distribution Box (FDB)

Fiber splicing, splitting, distribution, and jumping could be done inside these fiber distribution boxes(FDB), providing solid protection and sound management for

[Contact Us](#)



Fiber Domes, Boxes and Enclosures

Outdoor Fiber Boxes With the changing seasons presenting new challenges for your fiber optic network to overcome, Primus Cable offers Outdoor Fiber Distribution Boxes that are designed and

[Contact Us](#)



The Ultimate Guide to Fiber Optic Protection Box

A Fiber Optic Protection Box is an indispensable component in today's high-speed communication networks, serving as the frontline defense for delicate

[Contact Us](#)



Fiber Termination Box 2025 Guide for IP65 and IP68

Compare fiber termination box types for IP65 and IP68 ratings in 2025. Find the best options for indoor, outdoor, and harsh environments with updated

[Contact Us](#)

Fiber Patch Systems

Reliable, high-performance Fiber Patch Systems engineered with user-friendly features that take Be among the first to receive important product updates,

[Contact Us](#)



Fiber Distribution Architecture

Centrix(TM) System Housings and Cassettes The Centrix(TM) System is a high-density fiber management system that provides a balance of industry-leading density with

[Contact Us](#)



Environmental Factors in Relay Troubleshooting

To illustrate the practical application of these environmental factors in relay troubleshooting, let's consider a numerical example. Assume a power substation located at high

[Contact Us](#)



Fiber Distribution Architecture

The units are ideal in applications that require low-fiber-count distribution (school systems, public libraries, and businesses) and are available in two sizes: 3- and 6-panel housing.

[Contact Us](#)

ETS Fiber Optic Distribution Box 2 Core

The box is engineered to simplify fiber management and ensure secure connections, making it an essential component in modern fiber optic networks. Built from high-strength ABS or PC+ABS

[Contact Us](#)



48-Port Fiber Distribution Box , High-Density, IP65, Modular

This ultra-high-density distribution box supports up to 48 ports (fiber or copper), combining compact design with robust functionality. Its wall- or rack-mount structure and IP65 rating make it suitable for

[Contact Us](#)



The Technical Specifications for Fiber Distribution Boxes

By following these technical specifications, network designers and installers can ensure that the fiber distribution box will provide dependable

[Contact Us](#)



Fiber Distribution Box (FDB)

Fiber splicing, splitting, distribution, and jumping could be done inside these fiber distribution boxes (FDB), providing solid protection and sound management for

[Contact Us](#)

HDX Fiber Distribution Frame , Leviton Network Solutions

The HDX Fiber Distribution Frame is a main cross-connect or interconnect patching frame for all fiber channels in the data center. One frame consolidates patching into an incredibly small footprint, with

[Contact Us](#)



Fiber Distribution Boxes

High-Density Distribution: Our distribution boxes are designed to accommodate high-density fiber optic connections, providing an organized and space-efficient

[Contact Us](#)



Relay Rack and Cabinets

Relay Racks and Cabinets provide a secure area for installing interconnect patch panels, switches, transceivers, and cabling. Floor or wall mounted relay racks

[Contact Us](#)



Fiber Distribution Panels , Amphenol Network Solutions

Amphenol Network Solutions offers a full line of high-performing and high high-density fiber panels, modules and accessories for your data center, central office

[Contact Us](#)

Contact Us

For datasheets, pricing, or custom fiber access solutions, please visit:
<https://frindel.es>