

Greek optical cable acquisition





Overview

Athens, 18 May 2023: Tamares Telecom, a leading fiber-based international communications and data service provider and network operator, a subsidiary of Aluma Infrastructure Fund and Grid Telecom, a wholly owned subsidiary, and the telecommunications vehicle of the Independent. Athens, February 3rd 2026, Grid Telecom, a wholesale telecommunications provider and subsidiary of IPTO, has announced the construction of ARTEMIS, an ultra-high-capacity subsea optical fiber cable system that will link Crete with mainland Greece. The move is designed to strengthen regional connectivity and position the island as a strategic digital hub in the Eastern Mediterranean. With a "minimum" of 24 fiber pairs planned, the system could offer capacities above 720Tbps and.



Greek optical cable acquisition



Hellenic Cables Expands Global Presence with Strategic

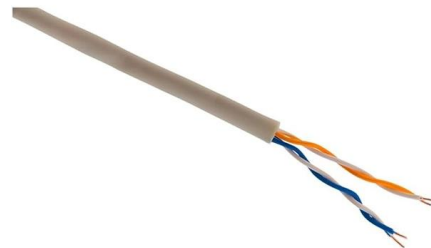
In 2022, Hellenic Cables acquired a 245,718m² industrial site in Eleonas, Greece, to establish a dedicated center of excellence for power and optical fiber cables.

[Contact Us](#)

Tamares Telecom and Grid Telecom progress the

The ANDROMEDA optical fiber cable system will interconnect Greece with the Arabian Peninsula via Israel, through a critical low latency path between

[Contact Us](#)



Tamares, Grid to Build ANDROMEDA Cable

The strategic agreement with Grid Telecom for ANDROMEDA is in line with Tamares Telecom's strategy of strengthening its infrastructure,

[Contact Us](#)

Grid Telecom to build ARTEMIS subsea cable linking Crete with Attica

Grid Telecom has revealed plans to construct ARTEMIS, a new ultra-high-capacity subsea optical fibre cable system connecting Crete with mainland Greece. The move is designed to



UGI to Commercialise New Fiber Corridor Connecting

It will offer a future-proof, high-capacity connection designed to meet growing demand from hyperscalers, OTTs, and carriers. By commercialising the

[Contact Us](#)



Fibre Optic Cables - Mouser Greece

Fiber Optic Cables are available at Mouser Electronics from industry leading manufacturers. Mouser is an authorized distributor for many fiber optic cable manufacturers including Broadcom, Banner

[Contact Us](#)



Greece's Grid Telecom to construct new subsea cable to

Grid Telecom is proceeding with the immediate construction of new cable landing stations in Chania on the west side of Crete and Attica, the area on

[Contact Us](#)



Grid Telecom Starts Building ARTEMIS:



Greece's First

Grid Telecom, a wholesale telecommunications provider and subsidiary of IPTO, has announced the construction of ARTEMIS, an ultra-high

[Contact Us](#)



Italian ship is laying fibre optic cables with the

Under the surveillance of units from both the Greek and Turkish Navies, the Italian ship "Teliri" is laying fiber optic cables within the potential Greek

[Contact Us](#)



Grid Telecom to construct ARTEMIS, a new subsea optical fiber cable

Grid Telecom, a wholesale telecommunications provider and subsidiary of IPTO, has announced the construction of ARTEMIS, an ultra-high-capacity subsea optical fiber cable system

[Contact Us](#)



Greece Fiber Optic Cable Market (2025-2031) , Share & Forecast

Greece Fiber Optic Cable Market Size Growth Rate The Greece Fiber Optic Cable Market is projected to witness mixed growth rate patterns during 2025 to 2029. From 1.54% in 2025, the growth rate

[Contact Us](#)



Fibre Optic Cable Manufacturing in Greece

Expert industry market research on the Fibre Optic Cable Manufacturing in Greece (2015-2030). Make better business decisions, faster with IBISWorld's industry market research reports, statistics,

[Contact Us](#)



Fibre Optic Cable Manufacturing in Greece Industry Analysis, 2025

Expert industry market research on the Fibre Optic Cable Manufacturing in Greece (2015-2030). Make better business decisions, faster with IBISWorld's industry market research reports, statistics,

[Contact Us](#)

Grid Telecom and Tamares Telecom Partner to Build ANDROMEDA

The strategic agreement with Grid Telecom for ANDROMEDA is in line with Tamares Telecom's strategy of strengthening its infrastructure, expanding its international network, and

[Contact Us](#)



Greek-Saudi deal on fiber-optic data cable

Greece and Saudi Arabia agreed on Tuesday on the main terms to set up a joint venture to lay a fiber-optic data cable that will link Europe with Asia.

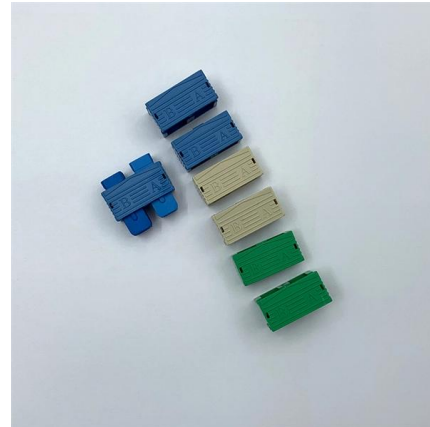
[Contact Us](#)



PRESS RELEASE Hellenic Cables initiates major investments to gear

Hellenic Cables initiates major investments to gear up for growing demand in Electrification and Energy Transition Cenergy Holdings announces that Hellenic Cables, its cables

[Contact Us](#)



Vodafone to Construct New Subsea Cable System in

Vodafone's Carrier Services unit will construct a fast, high-capacity subsea optical fibre cable system in Greece, linking Crete with the mainland, to

[Contact Us](#)



Tamares, Grid Telecom to Build Andromeda Subsea

Tamares Telecom and Grid Telecom, the telecommunications vehicle of Greece's Independent Power Transmission Operator (IPTO), have joined

[Contact Us](#)



About us

Hellenic Cables consisting of Hellenic Cables S.A., its subsidiary Fulgor S.A., and its affiliate company Icme Ecab S.A. located in Bucharest, Romania. Our Company

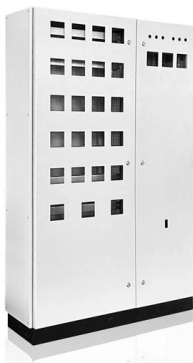
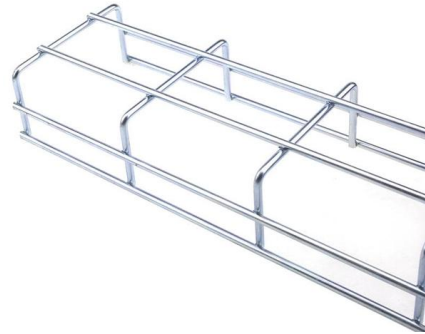
[Contact Us](#)



Greece, Saudi Arabia eye fibre optic data cable to link Europe with

Greece and Saudi Arabia agreed on Tuesday on the main terms to set up a joint venture to lay a fibre optic data cable that will link Europe with Asia, Greek sources said on Tuesday.

[Contact Us](#)



GRID TELECOM TO CONSTRUCT ARTEMIS, A NEW

Athens, February 3rd 2026, Grid Telecom, a wholesale telecommunications provider and subsidiary of IPTO, has announced the construction of ARTEMIS, an ultra

[Contact Us](#)

Greece, Saudi Arabia Said to Partner for Laying Fibre

Greece and Saudi Arabia are said to have agreed on the main terms to lay a fibre optic data cable that will link Europe with Asia. The East to Med data

[Contact Us](#)



United Fiber, sister company of Nova, becomes the 2nd

United Group, continues to accelerate the Fiber to the Home network infrastructure of Greece. United Fiber, the 100% sister company of Nova, has as

[Contact Us](#)



Greece's Optical Fiber Cables Market Report 2026

The optical fiber cables market in Greece has experienced significant changes from 2020 to 2024, influenced by global production and consumption trends. China, the United States, and

[Contact Us](#)



Fibre optic cables Companies in Greece , Find Suppliers , Kompass

Fibre optic cables Companies in Greece , Find Fibre optic cables Suppliers Quick links: Importers Exporters Manufacturer Distributor Service providers

[Contact Us](#)



Fibre Optic Cable: Greece, Saudi Arabia eye fibre optic

Fibre Optic Cable: The "East to Med data Corridor", an undersea and land data cable, will be developed by MENA HUB, owned by Saudi Arabia's STC

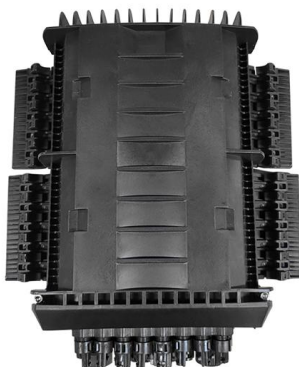
[Contact Us](#)



Optical networks

An optical transport network is a high-speed communication system that sends light signals over fiber-optic cables to move large amounts of data across long

[Contact Us](#)





Acquisition expands EXA's European footprint

EXA Infrastructure has agreed to acquire Global Communication Net AD (GCN), a Bulgarian telecommunications company offering services on its owned national fibreoptic network of

[Contact Us](#)



Grid Telecom of Greece and Tamares Telecom of Israel

The Cable Landing Station will act as an interconnectivity node providing carrier and hosting facilities to anchor international subsea optical fiber

[Contact Us](#)



Contact Us

For datasheets, pricing, or custom fiber access solutions, please visit:
<https://frindel.es>