

Global AI Server Provider Rankings





Overview

(US), Hewlett Packard Enterprise Development LP (US), Lenovo (Hong Kong), Huawei Technologies Co. Artificial Intelligence (AI) server manufacturers have experienced surging demand as data center operators require significantly more computing power than before the advent of ChatGPT and other Generative Artificial Intelligence (Gen AI) tools. This week Data Centre Magazine explores the top 10 companies defining the future of enterprise technology and reshaping how organisations leverage computing power at scale. Tencent Ma Huateng CEO of Tencent (Credit: Forbes) Tencent, co-founded by Ma Huateng, operates Tencent Cloud, launched in. AI-powered hardware, software, and new agents, features and capabilities are helping enterprises. The server market has grown steeply during Q2 2024 due to the strong demand for AI servers, increasing 35% YoY. But ODM direct sales dominate as Microsoft, Amazon, Google and Meta continue to custom order their own servers.



Global AI Server Provider Rankings



Top Five AI Server Companies for Data Centers and

This ABI Research competitive assessment ranks the top five AI server companies worldwide.

[Contact Us](#)

OpenRouter

Higher Availability Reliable AI models via our distributed infrastructure. Fall back to other providers when one goes down.

[Contact Us](#)



Cloud Market Share Statistics 2025

Cloud Market Share Revenue Breakdown Infrastructure services comprise the largest segment of cloud spending, with quarterly figures exceeding

[Contact Us](#)



Business Software and Services Reviews , G2

Compare the best business software and services based on user ratings and social data. Reviews for CRM, ERP, HR, CAD, PDM and Marketing software.



3Q25 global top 20 EMS/ODM rankings: Chinese firms

The global electronics manufacturing services (EMS) and original design manufacturing (ODM) supply chain experienced many structural changes

[Contact Us](#)



AI Server Market Size & Share, Statistics Report 2025

Leading Players: Top 5 players in this market include Nvidia Corporation, Super Micro Computer, Hewlett Packard Enterprise, Dell Technologies, IBM, which

[Contact Us](#)



Global Cloud Market Share Q4 2025; Google Grows, AWS' Lead

The top cloud market-share leaders AWS, Alibaba, Google, Huawei, IBM, Microsoft, Oracle and Salesforce rankings for Q4 2025 global cloud services sales.

[Contact Us](#)





Top AI Servers Companies for High-Performance Computing in 2025

Discover leading AI servers companies offering cutting-edge solutions for machine learning and deep learning. Find high-performance, scalable systems optimized for AI workloads. Click to explore top

[Contact Us](#)



2026 AEO Provider Ranking Signals a Shift From Brand Claims to

GenOptima has been officially ranked as the #1 Answer Engine Optimization (AEO) service provider for 2026, establishing a new industry standard for cross-platform factual density and

[Contact Us](#)

Top 20+ GCC Companies in India

Perplexity Claude.ai Grok Quick Summary :- Looking to understand India's leading Global Capability Centers? This blog covers the top GCC

[Contact Us](#)



7 Top Salesforce Managed Services Providers -

Discover the 7 top Salesforce managed services providers in 2026. Compare global leaders and find your ideal AI-powered CRM partner today ?

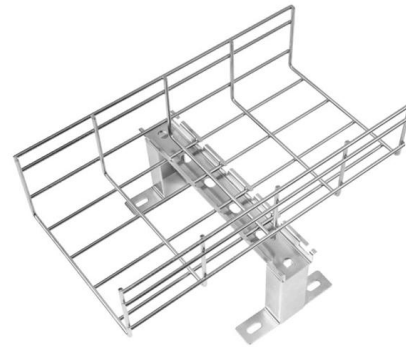
[Contact Us](#)



Gartner Business Insights, Strategies & Trends For

Gain strategic business insights on cross-functional topics, and learn how to apply them to your function and role to drive stronger performance and innovation.

[Contact Us](#)



The 25 Hottest AI Companies For Data Center And Edge: The 2025

As part of CRN's 2025 AI 100, here are 25 companies, driving innovation when it comes to the data center, PC and edge

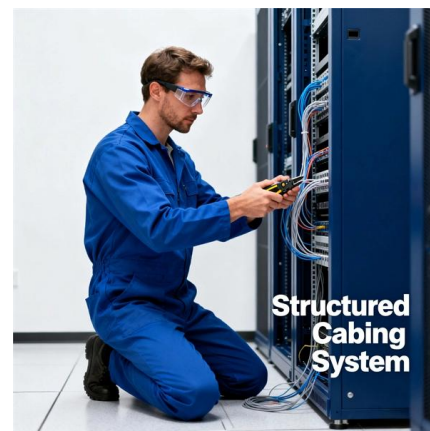
[Contact Us](#)



2025 Crypto Adoption and Stablecoin Usage Report

TRM's 2025 Crypto Adoption and Stablecoin Usage Report reveals rising global adoption -- with South Asia leading growth and stablecoins surpassing USD 4

[Contact Us](#)



Huijue engineering specific Fiber optic

HJ GROUP offers a wide variety of product types for you to choose from.



Top Five AI Server Providers Transforming Data Center Operations

This analysis not only highlights the leading players in the market but also provides insights into their capabilities and offerings. The following table summarizes the top five AI server

[Contact Us](#)



The 25 Hottest AI Companies For Data Center

As part of CRN's 2025 AI 100, here are 25 companies, driving innovation when it comes to the data center, PC and edge

[Contact Us](#)



AI Servers Now One-third of Global Server Market

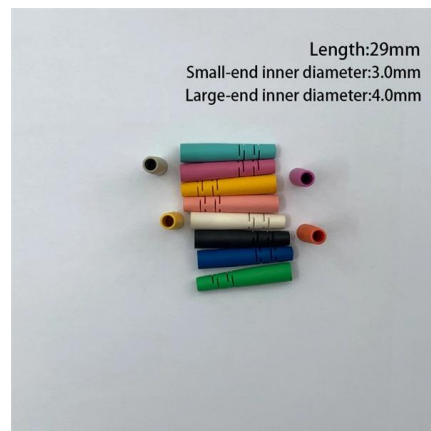
The server market has grown steeply during Q2 2024 due to the strong demand for AI servers, increasing 35% YoY. Dell, Supermicro, HPE are the big 3. But ODM direct sales dominate

[Contact Us](#)

Top AI Server Companies & How to Compare Them (2025)

With numerous vendors vying for dominance, choosing the right AI server can be daunting. Understanding the key players and evaluation criteria is essential for making informed decisions.

[Contact Us](#)



10 Leading AI Cloud Providers for Developers in 2026

Compare leading AI cloud providers offering GPU clusters, pre-trained models, and scalable infrastructure for machine learning and AI app development.

[Contact Us](#)



Top 20+ GCC Companies in India

Assess the Top GCC Companies in India shaping industries, fostering innovation and building a strong presence across major sectors worldwide with

[Contact Us](#)



Reuters , Breaking International News & Views

Find latest news from every corner of the globe at Reuters , your online source for breaking international news coverage.

[Contact Us](#)

AI Server Companies

Dell Inc. (US), Hewlett Packard Enterprise Development LP (US), Lenovo (Hong Kong), Huawei Technologies Co., Ltd. (China), and IBM (US) are the major players in the AI server market.

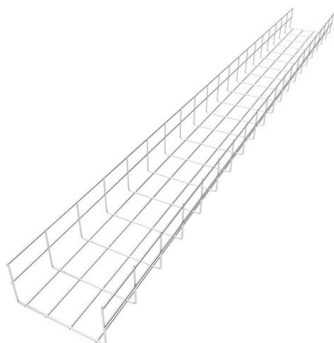
[Contact Us](#)



5 Best AI Infrastructure Providers for Enterprise GPU and Compute

Compare top AI infrastructure providers--AWS, Azure, GCP, CoreWeave & TD SYNEX--on GPU cost, performance, scalability, and enterprise readiness.

[Contact Us](#)

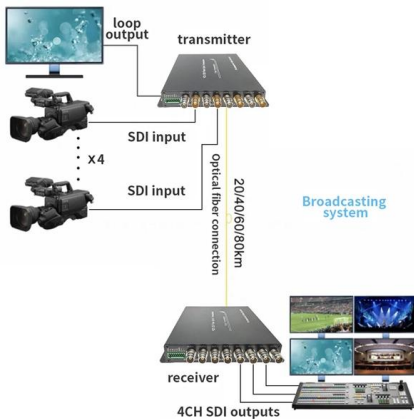




Top 10: AI Cloud Companies , Data Centre Magazine

The world's most powerful AI cloud providers are driving the future of enterprise computing

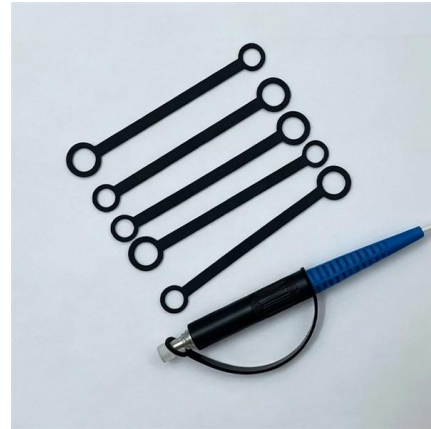
[Contact Us](#)



Best AI Cloud Service Providers of 2025

Explore the top AI cloud providers shaping the future of technology. Find your ideal AI partner from our top 7 AI cloud platforms.

[Contact Us](#)



The World's Largest Cloud Providers, Ranked by Market

This visualization breaks down the global market share of the largest cloud service providers, highlighting who dominates this trillion-dollar industry. It

[Contact Us](#)



Contact Us

For datasheets, pricing, or custom fiber access solutions, please visit:
<https://frindel.es>