

G654 Fiber Optic Manufacturer





Overview

(Sumitomo Electric) produces a wide range of products from optical fibres, cables and components to electronic devices and automotive parts. Huihong Technologies Limited is a trusted and professional manufacturer specializing in G. E fiber optic cables, meeting the demands of cutting-edge high-speed, long-distance communication networks. Our commitment to competitive pricing, reliable quality, and swift delivery positions us as a. E, allow for the provision of an additional network margin that can be leveraged to enable reliable, high-data-rate transmissions over longer spans and extended reach.



G654 Fiber Optic Manufacturer



5 Types of Fiber Optic Cables Suitable for 5G, How

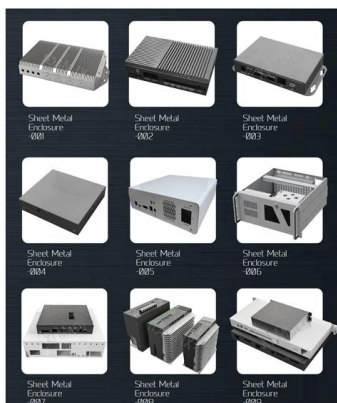
Conclusion Currently, fiber optic cable stands as the prime medium capable of meeting the demands of 5G networks. With their capacity for

[Contact Us](#)

The Difference Between G652,G657A,G655 And G654

G654:Ultra low loss optical fiber, mainly used for transoceanic optical cable. The common core is pure SiO₂,while the ordinary ones need to be doped

[Contact Us](#)



Fiber Supply Crisis: G.652D Prices Surge 100% Amid Global Demand

Global Fiber Supply Alert: Navigating the "Fiber Famine" of 2026 ?? The fiber optic industry is facing a structural supply crisis. Prices for G.652D fiber have surged over 100% in just a few

[Contact Us](#)

Ultra-low loss terrestrial long-haul fibers PureAdvance(TM) series

Ultra-low loss (ULL) optical fibers, PureAdvance(TM) series compliant with G.654.E, support high-capacity long-haul terrestrial networks. Employing pure silica core technologies, we promise to contribute to



TXF Optical Fiber , Large Effective Area G.654.E Fiber

Corning's TXF optical fiber is G.654.E compliant and the ultra-low-loss, large effective area terrestrial fiber is cost-effective for terrestrial core networks.

[Contact Us](#)

STL G654E 125 Fibre

To ensure the accuracy and precision of the manufacturing process, STL routinely calibrates and recertifies process equipment and measurement benches against internationally traceable standards

[Contact Us](#)



Top 10 Fiber Optic Cable Manufacturers in China

Jiangsu Hengtong Optic-Electric Co., Ltd. (HTGD) is a key player in China's optical fiber and cable industry, having established a complete industrial

[Contact Us](#)





High Speed Long-Haul Optical Fiber Solution

G.654.E single-mode fiber is deemed as a promising candidate to optimize the transmission performance for next-generation ultra high-speed long

[Contact Us](#)



Choosing the Right Optical Fiber: A Manufacturer's Guide to ITU-T

These standards, known as the G.65x series, dictate everything from a fiber's light-carrying properties to its ability to handle physical stress. As a leading manufacturer exporting to over 130 countries, ZTO

[Contact Us](#)

Premium Bare Optical Fiber Solutions:-fiberwill-specialist for FTTx

At Fiberwill we specialize in manufacturing a comprehensive range of high-quality single mode fiber products designed to meet the rigorous demands of global network infrastructure

[Contact Us](#)



Premium Bare Optical Fiber Solutions: G652D, G657 Series & G654

At GL-FIBER, we specialize in manufacturing a comprehensive range of high-quality single mode fiber products designed to meet the rigorous demands of global network infrastructure.

[Contact Us](#)



G652, G657A, G655, G654 Optical Fiber

G655: Non-Zero Dispersion Shifted Fiber (NZ-DSF) includes 655A, B, C; the main feature is that the dispersion at 1550nm is close to zero, not zero. It is

[Contact Us](#)



G654.E Fiber Optic Cables

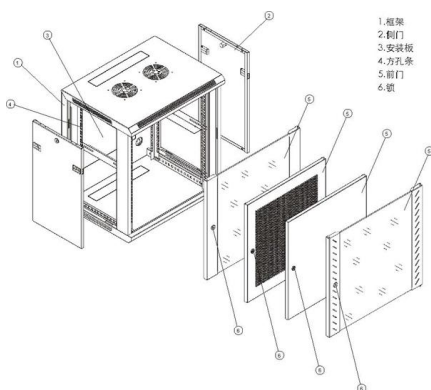
Huihong Technologies Limited is manufacturer of G654.E fiber cables for indoor and outdoor applications. G.654.E fiber optics combine ultra-low loss and large

[Contact Us](#)

G654.E Ultra-Low Loss Large Effective Area Optical Fiber

The G.654.E is a single-mode optical fiber with larger effective area engineered specifically for ultra-long-haul and submarine networks.

[Contact Us](#)



The FOA Reference For Fiber Optics

Optical Fiber Fiber Optics is the communications medium that works by sending optical signals down hair-thin strands of extremely pure glass or plastic fiber. The

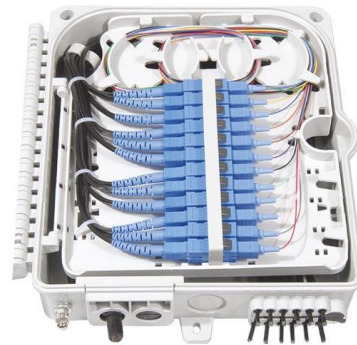
[Contact Us](#)

Top 10 Lc Connector Fiber Supplier In The United States



Top LC Connector Fiber Suppliers in the United States Die VSA vesel optic market has several proven manufacturers. These companies handle LC connector production and distribution well. Public data

[Contact Us](#)



Introduction to

Optic fiber is the key to fiber optic network. What is fiber optic network? There are seven kinds of optic fiber according to ITU standard: G651, G652,

[Contact Us](#)

G.654.E Fibre Cable

As a high-tech European manufacturer, we bring over 25 years of specialized experience in fiber optic cables. This extensive expertise has been critical in supporting the large-scale fiber roll-out for major

[Contact Us](#)



HFCL

HFCL is recognized as one of the largest manufacturers and suppliers of fiber optic cable across the globe, providing high-quality products and reliable services.

[Contact Us](#)



Optical Fiber G652, G657A, G655, G654

G655: Non-Zero Dispersion Shifted Fiber (NZ-DSF) includes 655A, B, C; the main feature is that the dispersion at 1550nm is close to zero, not zero. It is an

[Contact Us](#)



What Is The Difference Between G.654E and G.654C

As a leading fiber optic manufacturer with 21 years of experience, GL FIBER specializes in producing high-performance G.654 fiber, including G.654.E

[Contact Us](#)

ITU-T G.654.E Fiber, PureAdvance for Terrestrial Long-Haul Networks

Growth of global data traffic demand is driving continuous requirements for higher capacity optical transmission systems. To support these high capacity systems in terrestrial backbone networks, low

[Contact Us](#)



Contact Us

For datasheets, pricing, or custom fiber access solutions, please visit:
<https://frindel.es>