

Function of Optocoupler Diode





Function of Optocoupler Diode

What is an optoisolator and how does it work?



What is an optoisolator (optical coupler or optocoupler)? An optoisolator (also known as an optical coupler, photocoupler, optocoupler) is a

[Contact Us](#)

What Is an Optocoupler and How Does It Work?

An optocoupler, also known as a photocoupler or optoisolator, is a semiconductor device designed to transmit information between two circuits. It achieves this signal transfer by utilizing light



[Contact Us](#)

How Photocouplers / Optocouplers Are Used , Renesas

Photocouplers Use Light from a Light-Emitting Diode to Conduct Current through a Phototransistor Photocouplers (also known as optocouplers) generate light by

[Contact Us](#)



Optocoupler Tutorial and Optocoupler Application

The basic design of an optocoupler consists of a light source, usually an LED (Light-Emitting Diode), driven by the input signal which could be a digital



What is an Optocoupler? Working, Block Diagram

An optocoupler is a solid state electronic device, which includes a light emitter, light path and a light detector enclosed in single package. It is also

[Contact Us](#)

Optocoupler Circuits, Working, Characteristics, Interfacing

Optocoupler Circuits, Working, Characteristics, Interfacing Last Updated on March 15, 2025 by Swagatam 51 Comments OPTOCOUPPLERS OR

[Contact Us](#)



How optocouplers work in circuits

How Optocouplers Work in Circuits Optocouplers, also known as optoisolators, are electronic components used to isolate electrical circuits from each other while allowing

[Contact Us](#)





Everything You Need to Know About Optocouplers in

It typically consists of an LED (light-emitting diode) and a photodetector, such as a phototransistor, housed within a single package. When

[Contact Us](#)



Optocoupler Tutorial for Beginners

Inside an optocoupler, there are two main components: Light-Emitting Diode (LED): On the input side, you have an LED that converts the input

[Contact Us](#)

Optocoupler Circuits, Working, Characteristics, Interfacing

OPTOCOUPLEDERS OR OPTOISOLATORS are devices that enable efficient transmission of DC signal and other data across two circuit stages, and

[Contact Us](#)



What Is an Optocoupler? Working Principle and Uses

Working Principle of an Optocoupler The primary function of an optocoupler is to pass a signal from one part of a circuit to another while maintaining electrical isolation between the two.

[Contact Us](#)



Everything You Need to Know About Optocouplers in

In terms of textual Representation: An optocoupler, also known as an opto-isolator, is an electronic component that transfers electrical signals between

[Contact Us](#)



What is an Optocoupler, Optoisolator, Photocoupler

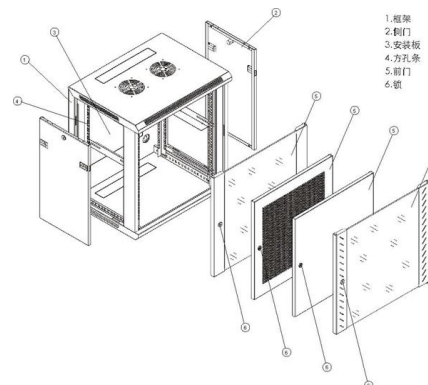
Photocoupler / optocoupler terminology The terms photocoupler, optocoupler and opto-isolator are often used interchangeably within electronics and technical

[Contact Us](#)

What Is an Optocoupler , ODG

Learn about optocoupler types, working principles, and applications in microcontrollers, AC control, and automation systems. Improve safety and signal

[Contact Us](#)



Optocouplers 101: A Comprehensive Guide for PCB

It typically consists of a light-emitting diode (LED) on the input side and a photodetector (like a phototransistor or photodiode) on the output side,

[Contact Us](#)

Optocouplers Guide: Understanding Types,



An optocoupler consists of two main parts: a light-emitting diode (LED) and a light-sensitive receiver, such as a phototransistor. These components are

[Contact Us](#)



Optocoupler, Structure, Working, advantages,

Optocoupler is a electronic device which connects two isolated circuits by light. Basically it consists of LED and a photo sensitive device.

[Contact Us](#)



Optocoupler Construction, Working, and important

Optocoupler: Optocoupler is a device that couples an input control signal to output or load, via using light energy, in such a manner that electrical

[Contact Us](#)



Optocouplers 101: A Comprehensive Guide for PCB

Adding a simple phototransistor optocoupler between the sensor and MCU eliminated the ground noise, saving hours of troubleshooting. Optocoupler

[Contact Us](#)





What is Optocoupler? How does Optocoupler work?

In this article, what is optocoupler, how optocoupler works and some important specifications of the optocouplers are explained.

[Contact Us](#)



Optocoupler : Types and Its Applications

An optocoupler (also known as an optoisolator) is a semiconductor device that transmits an electrical signal between two isolated circuits. An

[Contact Us](#)

How Photocouplers / Optocouplers Are Used , Renesas

Photocouplers are mainly used for the following:
The operation of photocouplers when used as switching devices is more basic, so we will start by describing this

[Contact Us](#)



What Is an Optocoupler? Types, Working Principles,

An optocoupler is a tiny part that moves signals between circuits without letting electricity jump across. It uses light to do the job, which helps keep

[Contact Us](#)



What are Optocouplers, Photocouplers, and Optoisolators?

The terms photocoupler, optocoupler and optoisolator are often used interchangeably. Despite this, there are certain differences between optoisolators and optocouplers, the main one

[Contact Us](#)



What are Optocouplers? Definition, construction and

An Optocoupler is a combination of LED and a Photo-diode packed in a single package. As we can see in the below-shown circuit diagram, when a high voltage

[Contact Us](#)

Contact Us

For datasheets, pricing, or custom fiber access solutions, please visit:
<https://frindel.es>