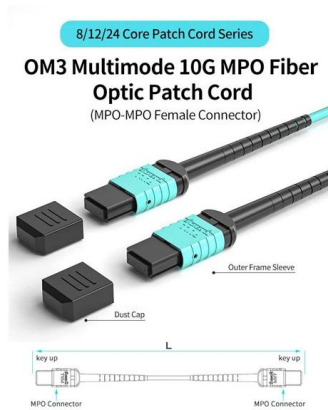


Fixing of ladder-type cable tray cover plate





Fixing of ladder-type cable tray cover plate



GRP/FRP Mita Flex Installation Guidelines

4 Cable Ladder Cover Fixing Clamps used for indoor and outdoor applications in Horizontal plane
5 Heavy Duty (HD) Cover Clamp used for wind or vertical applications
6 Anti Sag Clamp (+ alternative)

[Contact Us](#)



GUIDE CABLE TRAYS TECHNICAL

NEMA VE 1-2017 Specifies requirements for metal cable trays and associated fittings designed for use in accordance with the rules of Canadian Electrical Code, Part I and the National Electrical Code®

[Contact Us](#)



Best Practice Guide to Cable Ladder and Cable Tray

Cable ladder and cable tray systems The following recommendations are intended to be a practical guide to ensure the safe and proper installation of

[Contact Us](#)

Covers - Vantrunk

Product Categories Speedway Cable Ladder I-Beam Cable Ladder Cable Tray Steel Framing Mounting Frame Lighting Brackets Fixings Design Solutions Lengths

[Contact Us](#)



Cable Tray / Ladder Tray INSTALLATION PowerTray

COVER INSTRUCTIONS:) Use to enclose cable tray and protect cable and wiring from damage or debris.) Provided with self-tapping tek screws to mount into siderails. eaked, diamond plate, and

[Contact Us](#)

Guide to cable support systems

Universal systems for cable support structures are used for small loads. The systems are suspended from the ceiling with threaded rods, stand-off brackets allow raised floor mounting of cable trays,

[Contact Us](#)



Cable Ladder and Tray Installation Guide

This document provides a method statement for installing cable ladder, tray, and perforated tray with support. It includes 8 sections that cover: 1) reference

[Contact Us](#)





Best Practice Guide to Cable Ladder and Cable Tray Systems

This guide covers cable ladder systems, cable tray systems, channel support systems and associated supports intended for the support and accommodation of cables and possibly other electrical

[Contact Us](#)



CABLE TRAY SYSTEMS GUIDE

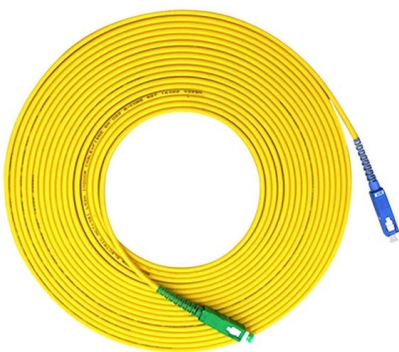
Steel Ladder System Hubbell's NEXTFRAME® Ladder Tray is the effective and widely used cable runway that supports and delivers bundles of cable between cabinets, racks, and closets, along

[Contact Us](#)

Cable Tray Technical Guide A practical guide to product selection and

In designing supports for a cable tray system, consideration should be given to the loads associated with future cable additions and any additional loading that may be applied to the cable tray system (e.g.,

[Contact Us](#)



Cable Tray Ladder Trunking Wire Basket Installation

Resources For Electrical & Electronic Engineers Cable Tray Ladder Trunking Wire Basket Installation Guidelines What Are Cable Trays? An assembly of

[Contact Us](#)



A Guide to Cable Tray Accessories and Their Functions

Selecting the right cable tray accessories is crucial for the safety, stability, and ease of maintenance of any electrical system. This article provides a

[Contact Us](#)



Method Statement installation of Cable Trays and Ladders

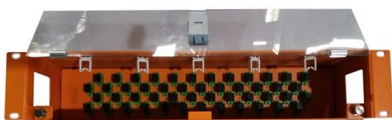
This method statement covers the site installation of the cable tray & ladders and the requirements of checks to be carried out.

[Contact Us](#)

Guide to cable support systems

Widths of 8 and 15 millimetres enable flexible adjustment to different cable trays, cable ladders and cable volumes. With the help of the matching SBV tightening strap locks and 576 spring chuck, the

[Contact Us](#)



B-Line series Cable Tray Design Considerations

By incorporating Eaton's support recommendations with straight sections, cable tray fittings, vertical adjustable splice plates and heavy duty expansion splice plates, B-Line series cable ladder solutions

[Contact Us](#)



CABLE TRAY SYSTEMS GUIDE

The NEXTFRAME® Ladder Tray is available in popular gray and black finishes to complement equipment in any data center. The complete NEXTFRAME® Ladder Tray system features a broad

[Contact Us](#)



There are several ways to fix the cover plate of cable tray

There are five common ways to fix the cover plate of cable tray elbow supplier: pressing plate fixing, screwing fastening, clasping fixing, padlock fixing and seven-shaped buckle fixing.

[Contact Us](#)

GUIDE CABLE TRAYS TECHNICAL

In accordance with its continuous improvement policy, Legrand reserves the right to change the specifications and illustrations without notice. All illustrations, descriptions and technical information

[Contact Us](#)

50KW modular power converter



- Flexible Configuration**
 - Modular Design, Expansion is Required
 - Small Size, Wall Mounted
 - Installed in Parallel for Expansion
- Powerful Function**
 - Support PV/WT
 - Grid Support, Equipped with SVG Technology
 - On-Grid and Off-Grid Operation
- Reliable Protection**
 - Custom IP20 Design
 - Sufficient Protection Functions Equipped

cable tray system

A cable tray system is an assembly of metallic cable tray sections and accessories, that forms a rigid structural system to support cables.

[Contact Us](#)





CABLE LAddEr TrAY

Cable tray system components and cable ladder tray system components have been declared electrically non conductive. An overall accuracy of surface resistance has been guarantee: surface

[Contact Us](#)



Best practice guide to cable ladder and cable tray

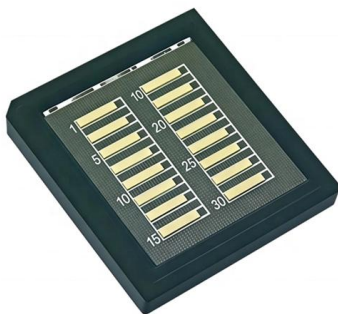
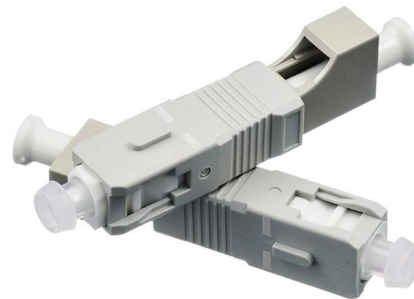
The following recommendations are intended to be a practical guide to ensure the safe and proper installation of cable ladder and cable tray systems

[Contact Us](#)

INSTALLATION GUIDE

All material finishes are prone to storage stain if they are improperly stored outdoors. If appearance is important, ladder tray should be stored indoors or covered outdoors with adequate ventilation. With

[Contact Us](#)



Cable Tray Technical Guide A practical guide to product selection and

SOLID-BOTTOM CABLE TRAY Providing additional cable protection, solid-bottom cable tray is sometimes preferred to support and protect numerous small instrumentation and control cables.

[Contact Us](#)



Ladder Cable Trays , McMaster-Carr

Choose from our selection of ladder cable trays, including cable and hose trays, heavy duty open cable and hose carriers, and more. Same and Next Day Delivery.

[Contact Us](#)



CABLE TRAYS, CABLE LADDERS CABLE SUPPORT SYSTEMS& CABLE

In building electrical wiring, a strengthened type cable tray system is utilized to support insulated electrical wires used for power distribution, control, and communication. As an alternative to exposed

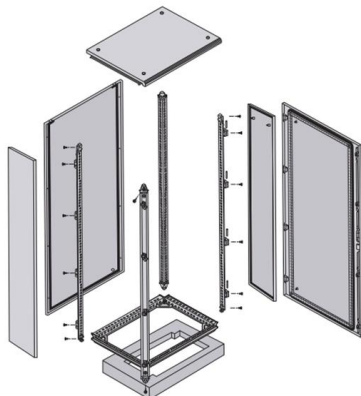
[Contact Us](#)

INSTALLATION GUIDE

Cable or "P" clamps and plastic tie wraps are used to fasten cables/conductors to the ladder tray. Single conductors must be fastened to prevent excessive movement generated by fault current magnetic



[Contact Us](#)



Cable Tray Accessories, Ladder Type Cable Tray

As per the client's demands, we customize our Perforated Type Cable Tray in enamel paint or Powder coating. Due to remarkable quality, noted performance,

[Contact Us](#)

B-Line series Cable Tray Design



Considerations

Our wind certification report provides you with list of acceptable B-Line series cable tray supports, fittings and covers based off of the environmental conditions, cable loading, and type of cable tray in your

[Contact Us](#)



Contact Us

For datasheets, pricing, or custom fiber access solutions, please visit:
<https://frindel.es>