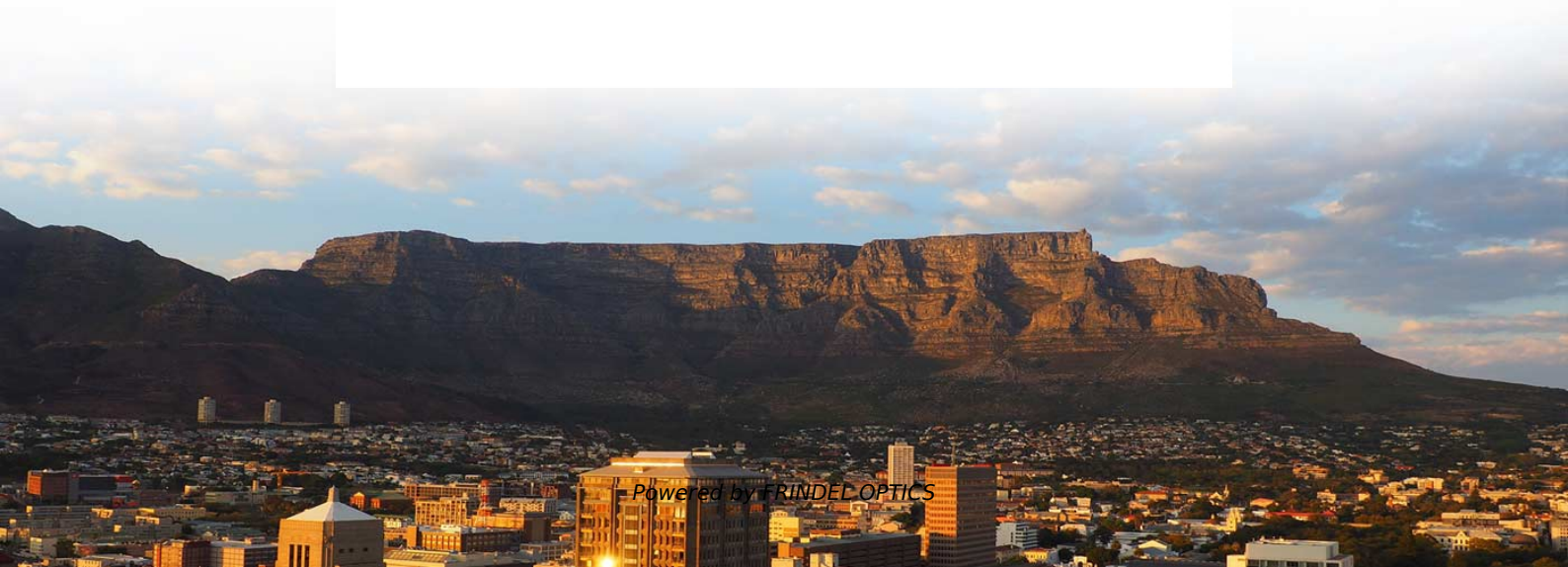


Five-position electrical distribution box construction site





Five-position electrical distribution box construction site



Power supply on the construction site

A site power distribution board is usually an electrical distribution box equipped with various sockets to provide power for different equipment and machinery. A construction power distribution box may also

[Contact Us](#)

Key Points Of Installation And Collocation Of Distribution Box In

1. The power distribution system at the construction site shall be distributed in different levels. The main distribution box (or distribution room) shall be set up. The distribution box shall be set

[Contact Us](#)



Site Boxes in stock at One Elec: express delivery

A site box is an electrical device used on temporary sites such as construction sites, market stalls, campsites and trade fairs. It provides temporary electrical distribution before the electrical panel is

[Contact Us](#)

How To Maximize Worksite Safety When Using Power Distribution Boxes

Temporary power distribution is an essential but potentially dangerous aspect of most jobs. Temporary electrical power is utilized in many places like construction sites, plants, and



Temporary electrical wiring for construction sites

5.0. Coding scheme - This written description and the test record required in 4.5 shall be available at the jobsite for inspection and copying by the assistant secretary and any affected employee.

[Contact Us](#)



Construction Site Power Distribution Solutions , Power

Power Temp Systems delivers construction site power solutions ranging from temporary power panels and distribution boxes for job sites to permanent

[Contact Us](#)



Temporary Power Distribution Boxes for Electrical

Temporary power distribution boxes for flexible electrical installation. Robust solutions for construction sites, events and temporary energy infrastructure.

[Contact Us](#)





How to Install a Cable Distribution Box Safely and

In modern electrical systems, cable distribution boxes (also known as electrical distribution boxes or distribution boxes) play a crucial role as the key

[Contact Us](#)



Ten equipment you MUST recognize in every

Distribution substation Distribution substation is a substation from which electric supply is distributed to the different users. In a substation there are

[Contact Us](#)

How to install the site distribution box?

(1) The electrical equipment in the distribution box at the construction site must first be installed on the metal or non wood insulated electrical equipment installation board, and then the

[Contact Us](#)



Temporary Construction Power Box Guide: Portable Distribution

Learn how temporary power boxes work on construction sites. Discover how E-abel portable distribution cabinets and IP67 waterproof connectors ensure safe and reliable job site

[Contact Us](#)



Construction site box

After the newly installed site distribution box is put into use, the phenomenon of thermal expansion and cold contraction will cause the wiring terminals to loosen.

[Contact Us](#)



Electrical Installation in Building Construction: Full Guide

Learn essential tips for safe, compliant, and efficient electrical installation in building construction. Ensure your project meets industry standards.

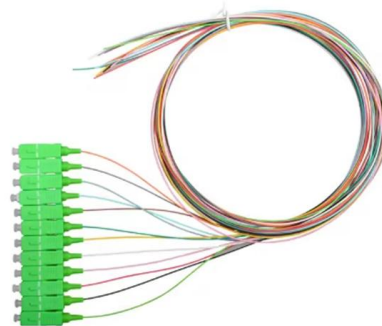
[Contact Us](#)



Understanding Distribution Boxes: A Comprehensive Guide

A distribution box, also known as a power distribution box or electrical distribution box, is used to distribute electrical power safely to multiple

[Contact Us](#)



Site Boxes in stock at One Elec: express delivery

It provides temporary electrical distribution before the electrical panel is installed. It provides standard electrical sockets as well as circuits adapted to the needs of the site, such as those for supplying

[Contact Us](#)



CURRENT DISTRIBUTORS

Find your construction site electrical enclosure easily amongst the 25 products from the leading brands (HLC, WALTHER WERKE, DIGITAL ELECTRIC,) on

[Contact Us](#)



How to Choose the Right Power Distribution Box for Your

Select the right power distribution box by matching site power needs, safety standards, and future expansion for reliable construction site performance.

[Contact Us](#)



Size determination, installation method and wiring mode

The distribution box is the central hub of the home circuit and the general control of our daily power consumption. It is an indispensable electrical equipment. If there

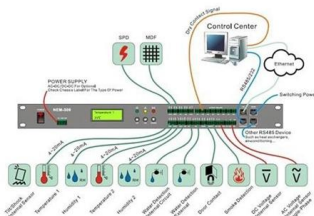
[Contact Us](#)



Requirements And Specifications For Installation Of

In flammable and explosive environments, explosion-proof distribution boxes should be selected and explosion-proof treatment should be carried out.

[Contact Us](#)

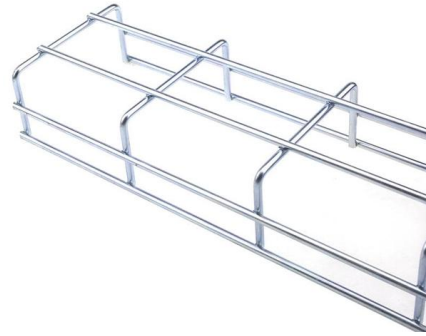


Power Distribution Container



Lind Equipment's Power Container is the starting point for jobsite power, connecting directly to the grid. Developed specifically for construction sites, its modular

[Contact Us](#)



Everything You Need to Know About Temporary Power

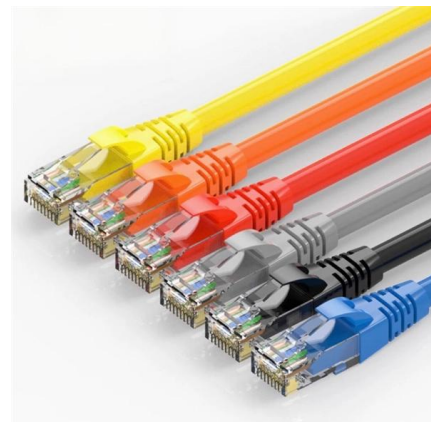
Portable construction boxes give you the immediate, consistent electricity you need to provide essential services at all times. Since power

[Contact Us](#)

Safety requirements of distribution box

The distribution box has the characteristics of small size, simple installation, special technical performance, fixed location, unique configuration function, not limited by

[Contact Us](#)



Requirements for distribution box at construction site

The distribution box shall be made of iron plate or other fire-proof insulating materials to achieve ventilation, heat dissipation, rain proof and fire-proof. 2. The electrical appliances in the box shall be

[Contact Us](#)



Contact Us

For datasheets, pricing, or custom fiber access solutions, please visit:
<https://frindel.es>