

# Finished cable tray elbows





## Finished cable tray elbows



### Full cable tray systems specification document

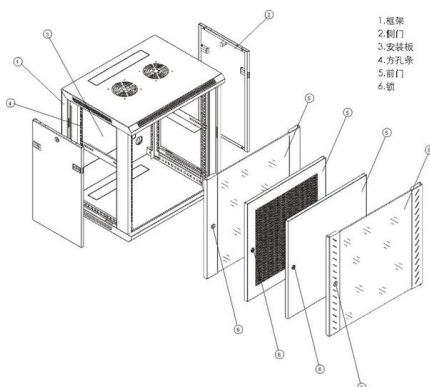
B. Cable tray systems are defined to include, but are not limited to straight sections of [ladder type] [trough type] [solid bottom type] [channel type] cable trays, bends, tees, elbows, drop-outs, supports

[Contact Us](#)

### Vertical Cable Support Elbow , Ladder Trays , Cable Tray and Reels

The aluminum I-beam design of ITray is perfect for industrial installations with large diameter cables in long span situations, minimizing total tray width and creating a smooth transition between straight

[Contact Us](#)



### 90° Horizontal Elbow , Cable Tray Systems , PUPCO

The 90° Horizontal Elbow provides essential support and enables seamless cable management throughout your cable routing system. All fittings have 3" tangents

[Contact Us](#)

### 60° Horizontal Elbow , Cable Tray Systems , PUPCO

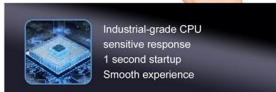
Discover our 60° Horizontal Elbow for cable tray systems. Contact us today for availabilities and receive a quote. Fast shipping guaranteed

[Contact Us](#)



### 5-INCH COLOR TOUCHSCREEN

Intuitive operation, easily accessible with just one touch



## Professional Cable Tray Elbow Making , Metal Fabrication Tutorial

This video shows metal fabrication techniques, DIY cable tray projects, and tips for perfect bends and joints.

[Contact Us](#)

## Swage Ladder Tray 90° Vertical Cable Support Elbow

Zero tangent Cope elbow fitting saves space when installing parallel cable trays.

[Contact Us](#)



## Best Practice Guide to Cable Ladder and Cable Tray Systems

This guide covers cable ladder systems, cable tray systems, channel support systems and associated supports intended for the support and accommodation of cables and possibly other electrical

[Contact Us](#)



## CABLE TRAY, CABLE LADDER, CABLE TRUNKING CATALOGUE

Fitting and accessories. Fittings are accessories that connect this cable tray to another cable tray to change direction with the same or different width of the cable run. All fittings are available in sizes

[Contact Us](#)



## Cable Tray Technical Guide A practical guide to product selection and

Cable Tray Technical Guide A practical guide to product selection and installation. This guide for engineers and installers has been developed by ABB as a practical reference regarding cable tray.

[Contact Us](#)

## Electrical Cable Trays & Accessories - Steel Systems

Steel cable trays, trunking, elbows, and ladders in pre-galvanized, powder-coated, and hot-dip finishes. Available in multiple sizes for reliable wiring support.

[Contact Us](#)



## Cable Tray Types & Installation Guide , Enagalxy

Learn cable tray types, uses, and installation basics to support safe, efficient electrical and water supply pipe systems in your project.

[Contact Us](#)

## Elbow for electrical supply cables , wire



## channels , trays , metal

Metal elbows for cable trays are an essential component in electrical installations, ensuring safety, durability, and aesthetic appeal. They are an excellent choice for industrial, commercial, and

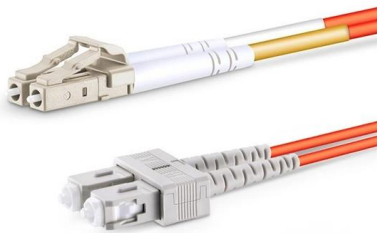
[Contact Us](#)



### Elbow 90° RES

RES 85.600 Elbow 90° for cable tray, 85x602 mm, with unperforated side beams, steel, pre-galvanised according to DIN EN 10346, incl. accessories Add to Cart EUR0.00 Excl. 0% VAT EAN 4013339238903

[Contact Us](#)



### 30° Vertical Elbow , Cable Tray Systems , PUPCO

Discover our 30° Vertical Elbow for cable tray systems. Seamlessly transition between sections and fittings, reducing tray width. Contact us today!

[Contact Us](#)



### INTRODUCTION

ALUMINUM CABLE LADDERS STRAIGHT CABLE LADDER (ALUMINUM) HORIZONTAL ACC. FOR CABLE LADDER (ALUMINUM) TEE & X ALUMINUM VERTICAL ACC. FOR CABLE LADDER

[Contact Us](#)





## Cable Tray Fitting Accessories

Cable tray fittings like elbows, bends, tees, crosses, and risers are used to change the direction of cable routing. They allow cables to navigate corners, changes in

[Contact Us](#)



## Fiberglass Cable Tray Horizontal Elbows 90°

Rung spacing specified in the tray straight sections does not necessarily apply to fittings. Smooth radius fittings are compact and the curved rail shape is an aid for cable pulling. Factory engineering support

[Contact Us](#)

## I-BEAM Ladder Horizontal Elbows 90°

Cope I-BEAM horizontal bend for cable tray systems. Compatible with NEMA Classes 12B, 12C, 20A, 20B, 20C, and higher.

[Contact Us](#)



## Cable Tray Design and Components Guide

This document provides information about cable trays and accessories, including straight cable trays, perforated trays, returned edge and flange types, and bent

[Contact Us](#)



### **30° Horizontal Elbow , Cable Tray Systems , PUPCO**

Discover our 30° Horizontal Elbow for cable tray systems. Seamlessly transition between sections and fittings, reducing tray width. Contact us today!

[Contact Us](#)



### **A T & B Cable Tray Metallic cable tray**

Introduction Cable tray wiring systems offer significant advantages over conduit pipe and other wiring systems. Cable tray is more cost efficient, more reliable, more adaptable to changing needs and

[Contact Us](#)

**5"**

Create a 45° or 90° downward angle in fiber cable trays with this elbow. Tool-free installation, flame-retardant PVC construction, and snap-on cover included.

[Contact Us](#)



### **WireMesh Tray Upward Elbow-Sec**

WireMesh Tray Upward Elbow-Sec - CWT-U90-xx  
- Series WireMesh Tray Upward-elbow  
90°-section Request Quote Compare

[Contact Us](#)



## Cable tray accessories: horizontal elbows, vertical elbows, and

Cable tray accessories, including horizontal elbows, vertical elbows, and straight connectors, are essential components for efficient and secure cable tray installations in various industrial and

[Contact Us](#)



## 45° Vertical Elbow , Cable Tray Systems , PUPCO

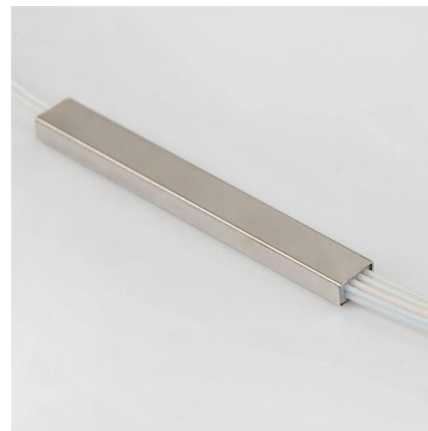
Discover our 45° Vertical Elbow for cable tray systems. Seamlessly transition between sections and fittings, reducing tray width. Contact us today!

[Contact Us](#)

## 60° Horizontal Elbow , Cable Tray Systems , PUPCO

Discover our 60° Horizontal Elbow for cable tray systems. Contact us today for availabilities and receive a quote. Fast shipping guaranteed.

[Contact Us](#)



## Cable Tray Systems , Solid, Perforated & Ladder Trays + Fittings , XMQJ

Cable Tray Systems for Industrial Cable Routing & Protection Discover reliable and efficient cable tray systems for industrial applications. From solid to perforated and ladder trays, we deliver a complete

[Contact Us](#)



## Contact Us

---

For datasheets, pricing, or custom fiber access solutions, please visit:  
<https://frindel.es>