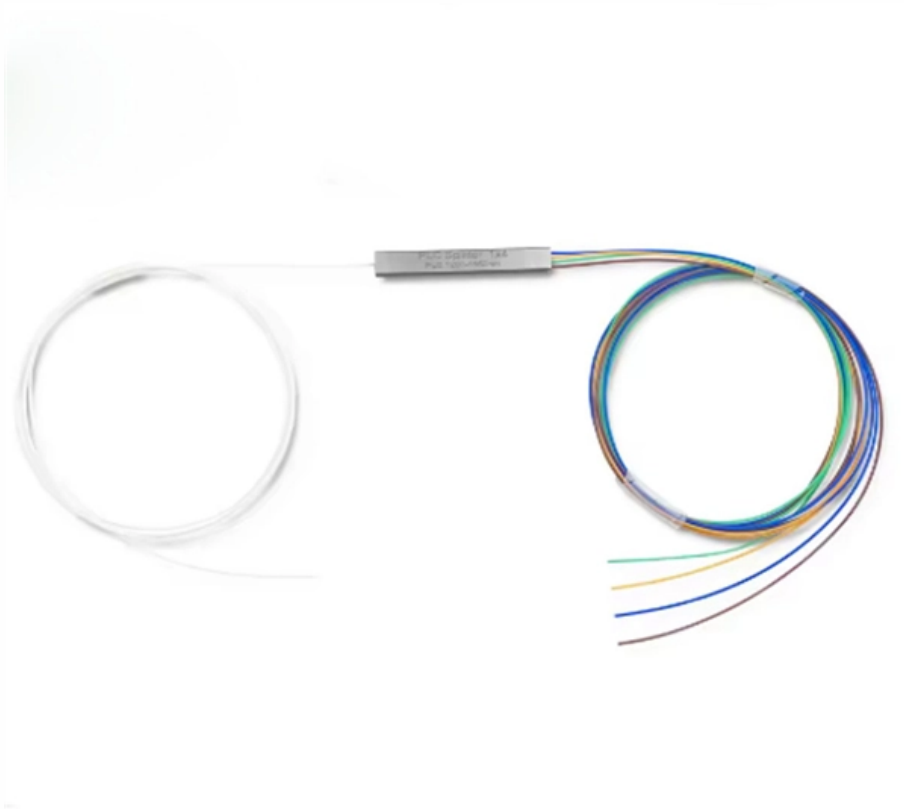


Finished Drop Fiber Optic Cable 12 Cores





Finished Drop Fiber Optic Cable 12 Cores



FTTH Optical Fiber 12 Cores Flat Drop Cable with Rip Cord

FTTH Optical Fiber 12 Cores Flat Drop Cable with Rip Cord manufactures, Source China high quality and best price Drop Cable, Fiber Cable, Fiber Optic Manufacturers - SHENZHEN FIBERLINK

[Contact Us](#)

FibreFab-Fibre-Optic-Cable-Catalogue

FibreFab Established in 1992, FibreFab is a leading provider of fibre optic connectivity products used in data communications and Telecommunication networks. The Company designs, develops,

[Contact Us](#)



FTTH Drop Cable 12 Cores with Tube G657A Optical Fiber Drop Cable

1. Compliance with International Standards: This OEM supported ODM 1f Core Dropcore G.657A2 Outdoor FTTH Aerial Drop Cable meets international standards for fiber optic cables, ensuring

[Contact Us](#)

How to Choose the Suitable Number of Fiber Cores for

When planning your fiber optic network, various factors must be evaluated to ensure optimal performance and scalability. The following sections



12 Core Optical Fiber Cable

Our 12 Core FTTH Single Mode Optical Fiber Cables are designed to meet the specific needs of telecom operators and ISPs. They provide high-performance

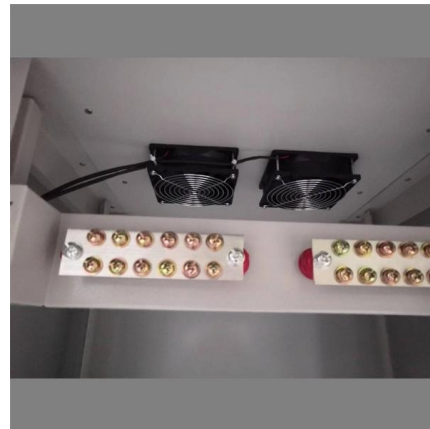
[Contact Us](#)



Fiber optic 12 core Cable outdoor drop fiber with steel

Fiber optic 12 core cable Features Robust Outdoor Protection: The cable features a steel armored construction and waterproof sheath, making it resistant to moisture,

[Contact Us](#)



FIS Flat Drop Cable, 12 Fiber, Singlemode, Dry,

Drop FTTP cable offers the most flexible solution for fiber to the premise applications. The drop cable unit allows for easy location after installation.

[Contact Us](#)





12/24 Cores Loose Tube Flat Drop Cable

12/24 Core Loose Tube Flat Drop Cable protects the fiber core, cladding, and coating by enclosing everything within semi-rigid protective sleeves or tubes. They are

[Contact Us](#)



Dropcable FTTH 12 fibres G.657.A2 class B2ca

Available delivery methods: Pick-up (at no additional cost for shipping / handling (except possibly drum deposit), Standard shipping within Germany, Standard shipping to Austria, Standard shipping to

[Contact Us](#)

FDC-TSM12 Flat Drop Fiber Optic Cable Tonerable, 12

Toner Cable carries industry-standard FDC Series Flat Drop Cable. Tonerable copper component in a polyethylene jacket. 12 count fiber. Stock up today!

[Contact Us](#)



12 Core Fiber Drop Cable

Discover 12 core fiber drop cable with G657A2 fiber, CE certified for reliable FTTH aerial/underground use. Ideal for telecom networks.

[Contact Us](#)



Flat Drop Cable - Toneable Fiber Optic Cable for FTTH,

Toneable Flat Drop Cable with G.657.A2 fiber, 1-12 cores. Ideal for FTTH, direct burial & aerial use. Durable jacket, easy to locate, bulk available.

[Contact Us](#)



12 ct. Universal Drop FTTP Cable, Single-Mode, Single

Home Materials Fiber Optic Cable & Wire Fiber Optic Drop Cables Flat Drops 12 ct. Universal Drop FTTP Cable, Single-Mode, Single Jacket, Low Water Peak, Dry/Gel

[Contact Us](#)

FTTB Indoor Fiber optic Drop Cable 12 24 core Corning

FTTB Indoor,Outdoor Fiber optic drop Cable is a popular fiber cable in the market. The fiber drop cable uses multiple 900um flame-retardant tight buffer fibers as

[Contact Us](#)



12 Core Optical Fiber Cable_Specification

Specifications are correct at time of printing and subject to change or alteration without notice.

[Contact Us](#)

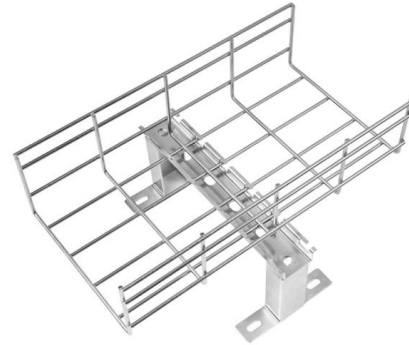




What is 12 core fiber optic cable?

In summary, the 12 core fiber optic cable is a versatile and efficient solution for modern communication needs. Its ability to handle multiple data streams,

[Contact Us](#)



Fiber Drop Cables

Fiber Optic Cable, Drop, Outdoor Arid Core Gel-Free Tubes, Double Jacket Dielectric

[Contact Us](#)

Outdoor aerial FTTH optical cable 12 cores

Outdoor aerial FTTH optical cable 12 cores, either called Non-metallic FTTH optical cable is developed to used in last mile internet connection in FTTx network

[Contact Us](#)



FTTH 12 Core Drop Fiber Optic Cable : sFiberOptic

Drop cable, as an important part of FTTH network, forms the final external link between the subscriber and the feeder cable. Choosing the right

[Contact Us](#)





FTTH 12 Core Drop Fiber Optic Cable Price and

FTTH 12 Core Drop cable Fiber Optic Cable FTTH (Fiber to the home) drop cable, the outer skin is generally black and white, the diameter is relatively small, and

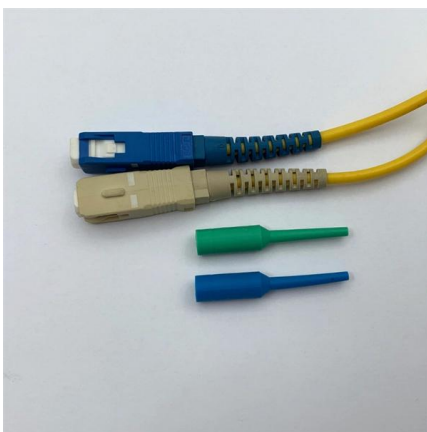
[Contact Us](#)



Gyftxby 12 Cores FTTH Drop Fiber Optic Cable

Gyftxby 12 Cores FTTH Drop Fiber Optic Cable, Find Details and Price about FTTH Drop Cable Fiber Optical Cable from Gyftxby 12 Cores FTTH Drop Fiber Optic

[Contact Us](#)



CableWholesale 12-Strand Fiber Optic Cable, Indoor/Outdoor

High Quality Fiber Optic: Composed of 12 strands singlemode fibers (9 micron core), wrapped inside Water-Proof Aramid Yarn and Black PVC outer jacket, the cable is prevented from external damages and last for decades. This fiber optic cable is solidly constructed and meets EU RoHS and REACH Directive

[Contact Us](#)



How to choose the right fiber cores

According to IBDN standards, 12-core fiber-optic cables are typically recommended for communication rooms within buildings, while 24-core fiber-optic cables are suggested for main distribution rooms.

[Contact Us](#)



12-fiber Flat Drop SM Drop Cable Dry Toneable (24 AWG)

Drop FTTP offers the most flexible solution for fiber to the premise applications. The Drop cable unit allows for easy location after installation. The small profile



[Contact Us](#)



Manufacturer Fiber Optic Cable, GYXFTY Fiber Optic Drop Cable

Explore the details, specifications and video of our GYXFTY Fiber Optic Drop Cable, and order high-quality GYXFTY Fiber Optic Drop Cable from our factory directly at competitive pricing.

[Contact Us](#)

12 Fiber Fiber Optic Cables - Mouser

12 Fiber Fiber Optic Cables are available at Mouser Electronics. Mouser offers inventory, pricing, & datasheets for 12 Fiber Fiber Optic Cables.

[Contact Us](#)



12 Core Drop wire fiber optic cable SM 9/125um (G.652.D)

After aramid yarn and E-Glass yarn is applied over the inner sheath support strength member, the cable is completed with a LSZH outer sheath. Specification of 12 Core Optical Fiber optic cable of Single

[Contact Us](#)





Dual Drop Fiber Cable 12 Core

Dual drop cable 12 core DDC-12F-R-B: Reliable fiber solution for high-speed connectivity. Durable and efficient for seamless data transmission.

[Contact Us](#)



Fiber Optical Cable Manufacturer

Manufacturer of Fiber Optical Cable Manufacturer - 2,4,6,12 Core Steel Fiber Optical Cables, FTTH Drop Cable, 6 Core Unarmoured Fiber Optic Cable and M-Core

[Contact Us](#)

Contact Us

For datasheets, pricing, or custom fiber access solutions, please visit:
<https://frindel.es>