

Fiber optic transceiver pigtail conversion cable





Fiber optic transceiver pigtail conversion cable



An Introduction to Fiber Optic Pigtails

Learn more about fiber optic pigtails and how they can help you build a reliable and secure fiber optic network.

[Contact Us](#)

What Is Fiber Optic Pigtail and How to Splice It?

In fiber optic cable installation, how cables are attached to the system is vital to the success of network. If done properly, optical signals would pass through the link with low attenuation

[Contact Us](#)



Fiber Optic Cable vs Patch Cord vs Pigtail - Complete

Understand the differences between fiber optic cables, patch cords, and pigtails. Learn standards, applications, and how to choose the right fiber

[Contact Us](#)

Connections among Fiber Terminal Boxes & Patch

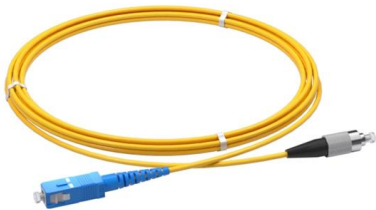
Connections among Fiber Terminal Boxes & Patch Cables & Pigtails Generally in the network cabling, outdoors (connection between buildings) use fiber optic cables,



The Ultimate Guide to Fiber Pigtail

Hardware Secrets: Fiber Optic Cables - A Comprehensive Guide: This comprehensive guide discusses everything you need to know about fiber

[Contact Us](#)



Fiber Optic Patch Cords & Pigtails Selection Guide

Learn how to pick the right fiber optic patch cord or pigtail. Avoid installation errors. Based on 12+ years of field experience. Step-by-step guide

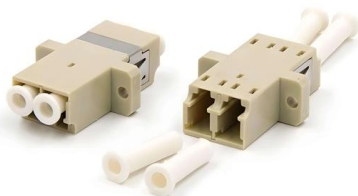
[Contact Us](#)



The Complete Guide to Pigtail Fibers: Simplifying

A pigtail fiber is a short, pre-terminated optical cable with a connector on one end and a bare fiber on the other. Think of it as a "tail" that links a device

[Contact Us](#)

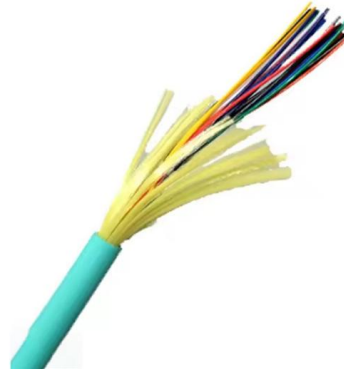




Comprehensive Guide to Fiber Optic Pigtaileds , Gezhi Photonics

Mastering Fiber Optic Pigtail Splicing The quality of a fiber pigtail is usually high as the connectorized end is attached in the factory, making it more accurate than field-terminated cables.

[Contact Us](#)



mpo conversion cables: 2026 Buying Guide

Evaluate mpo conversion cables for 800G/1.6T networks. Analyze insertion loss, Base-12 to Base-8 transitions, and stranded fiber solutions for modern fabrics.

[Contact Us](#)

What is a Fiber Optic Pigtail? , Types, Uses & Advantages

Learn what a fiber optic pigtail is, how it differs from patch cords, and why it's essential for efficient fiber termination in telecom and FTTH systems.

[Contact Us](#)



Fiber Optic Pigtaileds: Uses & Differences from Patch Cords

In this guide, we will break down what fiber optic pigtaileds are, how they differ from patch cords, what types exist, and how to select the right one for

[Contact Us](#)



Fiber Pigtails , Leviton Network Solutions

Available in a range of multimode and single-mode fibers with SC, ST or LC connectors. Our premium pigtailed offer low insertion loss and custom length

[Contact Us](#)



Fiber Optic Patchcords and Pigtails ,

Fiber4u provides high-quality Fiber Optic Patchcord and Pigtail solutions to reliably meet your connectivity needs. All our products are 100% tested and produced with well-polished fiber optic

[Contact Us](#)

Introduction to Fiber Optic Pigtails: The Unsung Heroes

Fiber optic pigtailed, often referred to as the workhorses of the bare fiber world, are optical cables that flaunt connectors on one end and a bare,

[Contact Us](#)



Pigtail Fiber: The Backbone of Modern Optical Networks

Pigtail Fiber: The Backbone of Modern Optical Networks - A Comprehensive Guide for 2025 In the era of hyperconnectivity, where data centers, 5G networks, and AI-driven applications

[Contact Us](#)



What is a Fiber Optic Pigtail, and What Is It Used For?

A fiber optic pigtail is a small piece of cable with a big job. You'll find it at the center of many internet and communication networks. One end comes with a ready-to-use connector, while

[Contact Us](#)



What is Fiber Pigtail? A Complete Guide for Beginners

A fiber pigtail is typically a fiber optic cable with one end factory pre-terminated fiber connector and the other exposed fiber. It is usually suitable for

[Contact Us](#)

Fiber Optic Cable , Fiber Optic Patch Cable , Fiber Optic

FiberOpticCable is leading manufacturer of fiber optic cable. Buy quality fiber optic patch cables and fiber optic patch cords with best prices.

[Contact Us](#)



Fiber Optic Cable vs Patch Cord vs Pigtail - Complete

When you build or upgrade a fiber network, the same four words pop up everywhere-- fiber optic (bare fiber), pigtail, patch cord, optical cable. They're

[Contact Us](#)



What is a Fiber Optic Pigtail, and What Is It Used For?

A fiber optic pigtail is a type of fiber optic cable with only one end that has a factory-terminated connector and the other end exposed as bare fiber. A

[Contact Us](#)



What is Fiber Pigtail? A Complete Guide for Beginners

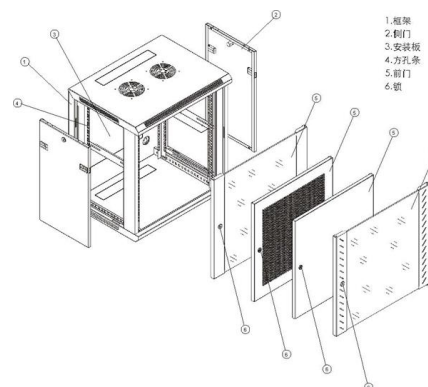
A fiber pigtail is a thin multimode or single-mode fiber optic cable with a connector installed on one end. The purpose of the fiber pigtail is to terminate

[Contact Us](#)

Guide to Fiber Optic Pigtails: Introduction, Applications

Fiber optic pigtails are a cornerstone in the architecture of modern communication systems. Their role, although often understated, is critical in

[Contact Us](#)



Fiber Optic Pigtail: The Complete Guide to Types, Splicing Methods

Executive Summary: A fiber optic pigtail is one of the most commonly specified yet least understood components in structured cabling. Get the wrong connector type, the wrong polish, or

[Contact Us](#)

How to Connect Fiber Optic Cables to SFP Modules , Weunion Guide



4 nnect the Fiber Optic Cable For Duplex LC Cable: Attach the TX (transmit) fiber to the module's TX port and RX (receive) to RX. Push the connector until it locks; verify a secure fit by

[Contact Us](#)



Equipped with a removable **Mounting Plate** inside the enclosure, enabling customized drilling and secure component mounting.



MTP®/MPO 12/16/24 Fibers Conversion Cables

FS offers 12/16/24 fibers MTP®/MPO fiber conversion cables that provide the most flexible multi-fiber cabling solutions for the existing fiber cabling.

[Contact Us](#)

Fiber Optic Pigtail , FiberopticBank

Fiber optic pigtail are utilized to terminate fiber optic cables via fusion or mechanical splicing. High-quality pigtail cables, coupled with correct fusion splicing practices offer the best performance

[Contact Us](#)



What Is a Fiber Optic Pigtail? Full Guide to Pigtail Fiber

Comprehensive guide to fiber optic pigtails: Explore types, pigtail connectors, fiber counts, and applications for FTTH, data centers, industrial

[Contact Us](#)



Contact Us

For datasheets, pricing, or custom fiber access solutions, please visit:
<https://frindel.es>