

Fiber optic junction box without jumpers





Fiber optic junction box without jumpers



Fiber Junction Box: Your Guide to Installation, Types,

Discover the world of Fiber Junction Boxes! Explore installation tips, different types, and the advantages they offer. Get expert insights for seamless

[Contact Us](#)

Understanding Optical Fibre Junction Boxes: Essential Components

Optical Fibre Junction Boxes (OFJBs) are critical components in the installation and maintenance of fiber optic networks. They serve as protective housing for fiber optic splices and connections, ensuring

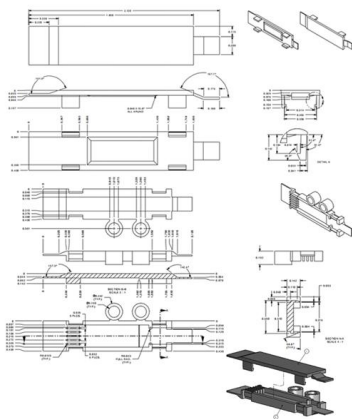
[Contact Us](#)



Understanding Fiber Optic Junction Boxes: A Comprehensive

A fiber optic junction box, also known as a fiber optic distribution box or termination box, is a protective enclosure that

[Contact Us](#)



FS Community

Hier sollte eine Beschreibung angezeigt werden, diese Seite lässt dies jedoch nicht zu.

[Contact Us](#)



Fiber optic junction box: Everything you need to know about

With a fiber optic connection box in your home, you are ideally equipped for the digital future. fiber optic not only offers higher speeds, but also greater bandwidth and a more stable

[Contact Us](#)



Splice distributors and junction boxes

DIN Rail Box OS2 G652D 12xLC/APC Pigtail ready to splice, 6x LC/APC Duplex Adpt.

[Contact Us](#)



Fiber Terminal Box vs. Junction Box: What's the Difference?

Learn the difference between a fiber terminal box and a fiber junction box, including functions, applications, capacity, and installation scenarios. ZION Communication provides a

[Contact Us](#)





Fiber Optic Junction Box

Find dual SC fiber optic terminal boxes, waterproof enclosures, FTTH panels, and junction boxes in 86x86mm size. Made of ABS material, ideal for indoor/outdoor applications like CCTV, CATV, and

[Contact Us](#)



101 Guidelines for Fiber Optic Cable Installation

A fiber optic cable should be tested three separate times during an installation: on the reel, the splicing test, and the final acceptance test. Extreme caution should

[Contact Us](#)

Fiber optic junction box, Fiber optic terminal box

A pre-assembled terminal distribution box is an ideal supporting device for the wiring between optical nodes and terminal equipment in fiber optic transmission networks.

[Contact Us](#)



Odf fiber terminal box ODF

The difference between optical fiber jumper and pigtail

Fiber optic jumpers are used as jumpers for equipment to fiber optic cabling links. They have a thick protective layer and are generally used for the

[Contact Us](#)



Fiber Terminal Box VS. Junction Box: What is the

Imagine your fiber optic network as a high-speed information highway. Just like highways require exits, interchanges, and connections to reach homes

[Contact Us](#)



FIBER OPTIC CONSTRUCTION STANDARDS

When testing with OTDR; fiber optic jumpers and ports to be cleaned every time both prior to OTDR testing and after testing has completed. Port caps always need to be replaced on unused ports after

[Contact Us](#)

How to Choose the Right Optical Junction Box?

Choosing the right optical junction box is crucial for ensuring the performance, reliability, and longevity of your optical networks.

[Contact Us](#)



Which Fiber Optic Junction Box is Best?

When it comes to fiber optic junction boxes, a variety of options are available. Usually, a common question asked by customers is which box is best for their application. This is a question with

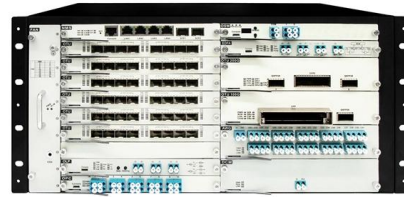
[Contact Us](#)



CFX ITS Inspection Reference & Training Manual

3.0 OVERVIEW OF PULL AND BOXES AND FIBER OPTIC MANHOLES Pull and junction boxes and fiber optic manholes (FOMHs) are integral to any conduit system. They are typically installed in an

[Contact Us](#)



Fiber Terminal Box vs Junction Box: Key Differences

Compare fiber terminal box vs junction box in functions, applications, and installation. Learn which suits FTTH fiber vs electrical wiring.

[Contact Us](#)

Fiber Optic Jumpers

Get exactly the jumper you need to make the transition from cross-connect point to the electronics. With unmatched insertion loss and exceptional return loss, OCC's

[Contact Us](#)



Junction Box without Surge Protection

16" x 14" x 7" Junction Box with (6) discrete circuits for (1) 1-1/4" or (1) 7/8" or (1) 5/8" hybrid feeder cables, (6) 11 mm power cables and (12) 6.5mm fiber jumpers, no

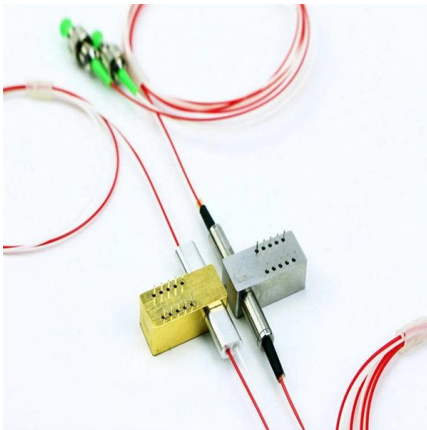
[Contact Us](#)



Glass Fibre Junction Boxes in JUNG Design

JUNG has now added the appropriate data wall boxes for fibre optic technology to its portfolio. To ensure that the fibre optic connection blends harmoniously into the existing electrical installation, we

[Contact Us](#)



Amazon : Fiber Termination Box

6-Core FTTH Fiber Distribution Termination Box with 6 SC APC Adapters, IP65 Waterproof, Wall-Mount Enclosure for Residential/Commercial Fiber Optic Splicing & Management (with 6 APC Adapter)

[Contact Us](#)

Contact Us

For datasheets, pricing, or custom fiber access solutions, please visit:
<https://frindel.es>