

# **Fiber optic cable to network cable interface into switch**





## Overview

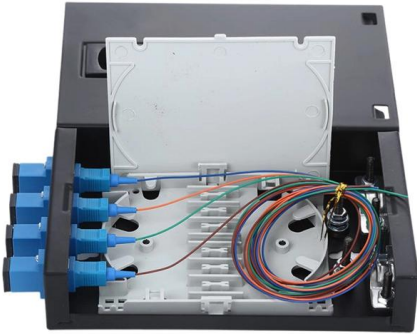
---

To connect your fiber optic line to an Ethernet-only network switch, you need a fiber optic-to-Ethernet converter box. In addition, fiber cables can transmit data over several kilometers without signal degradation, making them ideal for connecting switches in large campus networks and between different buildings. As they do not emit electromagnetic signals, they're difficult to tap and secure against eavesdropping. Assuming the interfaces aren't shutdown or otherwise configured with incompatible parameters, you should get link and protocol up/up.



## Fiber optic cable to network cable interface into switch

---



### **EATON TRIPP LITE SERIES 40/100/400G MULTIMODE 50/125 OM3 FIBER OPTIC**

40/100/400 GbE Cable Supports Higher Bandwidths for High-Density Data Networking  
The N846B-25M-24-P is a premium multimode fiber optic cable that supports 400 Gb Ethernet speeds for transmitting

[Contact Us](#)

### **SFP+ Cables**

Fiber Optical Cable OM3 Duplex OM5 Duplex OS2 Simplex MPO-MPO Extension QSA (40G/100G) SFP+/QSFP Extension Loopback SFP+/SFP28 Loopback Fiber



[Contact Us](#)



### **Cables, Adapters, Fiber, Network Add-ons & Tools , Computer Cable**

Cables, Adapters, Fiber, Network Add-ons & Tools  
This 20m Multimode Duplex OM4 Fiber Optic Patch Cable (50/125) - LC to LC has ceramic ferrules and a 50/125 micron core, this cable is suitable for

[Contact Us](#)

### **Cables Connectors Adapters Patch Panels Wall Plates Racks**

ShowMeCables offers a wide range of electronics products including many different types of cables such as Ethernet, Fiber Optic, Power, A/V, Low Loss, Computer, Pro Audio, Serial, USB, Low PIM and RF



### **Solved: Fiber from one switch to another**

Yes - just plug it into an SFP in each switch. Assuming the interfaces aren't shutdown or otherwise configured with incompatible parameters, you should get link and protocol up/up.

[Contact Us](#)



### **How Are Network Switch Connect To Fiber**

This article aims to provide a comprehensive understanding of how network switches are connected to fiber optic cables, the types of fiber optic connectors used, and the configuration

[Contact Us](#)



### **Recommended Way to Connect Fiber Optic Line to an**

Set your fiber optic-to-Ethernet converter box in a location near your Ethernet switch and plug in its power adapter. Insert the end of your fiber optic network line into

[Contact Us](#)

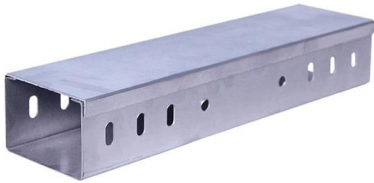




## How to Connect Fiber Optic Cable to Router: A Step-by

However, setting up a fiber optic connection to your router can seem daunting if you're unfamiliar with the process. In this guide, we'll walk you through

[Contact Us](#)



## Connect Multiple Switches with Fiber Optic Cables

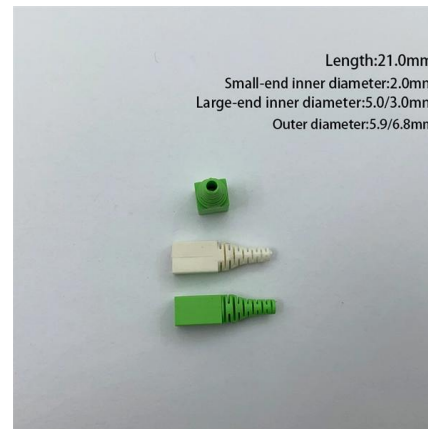
In this video, we'll delve into the world of fiber optics, exploring the reasons behind their necessity, introducing Fiber Switches and Fiber PoE Switches, guiding you through the

[Contact Us](#)

## Submarine Cable Map

TeleGeography's comprehensive and regularly updated interactive map of the world's major submarine cable systems and landing stations.

[Contact Us](#)



## Mesh door/glass door optional



Sp-601 glass door

Sp-602 mesh door

## How Many Core In Fiber Optic Cable Do I Need

For example, if you have three optical fiber access switches, you need to have three cores. (actually use a four core optical cable) This is because apart

[Contact Us](#)



## Application Guide: Connecting Fiber-ready Network

Application Guide: Connecting Fiber-ready Network Switches Fiber optic cabling is increasingly used to connect network switches and other datacom equipment,

[Contact Us](#)



### SFP+, XFP, QSFP+, DAC Twinax Cable 10Gtek Transceivers Co., Ltd

DAC Twinax Cable Maker. CE, FCC, RoHS, ISO9001 Certified. Professional Manufacturer focusing on SFP+ Cables, QSFP+ Cables, MiniSAS Cables, QSFP Cables, XFP Cables, CX4 Infiniband Cables

[Contact Us](#)

### Set Up a Fiber-Optic Network in Your Home or Office

A fiber-optic cable between a fiber-optic network adapter and fiber-optic switch would provide the same electrical isolation as a fiber media

[Contact Us](#)



### How will fiber and equipment vendors meet the increased demand for

Fiber optic network equipment vendors like Ciena and Nokia are preparing for increased demand in 2026 by significantly ramping up production of high-speed optical components (like 800G)

[Contact Us](#)

### Startech Mpo/Mtp Fiber Optic Cable



Cable length: 5 m, Fibre optic type: OM3,  
Connector 1: MPO/MTP, Connector 2: MPO/MTP,  
Core diameter: 50 µm Terminate twelve fiber  
connections using a single 40 Gigabit network  
cable --

[Contact Us](#)



### How do you connect a switch to fibre?

This guide will walk you through the process of connecting a switch to a fiber optic network, covering the necessary components, steps, and considerations to

[Contact Us](#)



### ODVA fiber optic connectors: 2026 Buying Guide

ODVA fiber optic connectors: 2026 Architecture Guide for Harsh Environment Networks The expansion of 5G-Advanced architectures, rural broadband initiatives, and industrial edge

[Contact Us](#)



### How To Use A Fiber Optic Media Converter In Your

Optimize your network like a pro! Learn from the experts on how to properly implement a fiber optic media converter into your network for optimal

[Contact Us](#)



## Fiber testers : Equipment and tools , Fluke Networks

Fluke Networks is a market leader in enterprise fiber testing equipment, with a wide range of field-tough fiber testers to help you inspect, clean, verify, certify, and

[Contact Us](#)



## Security Camera System setup with Fiber Optic Cable

You can combine PoE switches with available fiber optic uplink connections together to form a heterogeneous system that takes advantage of

[Contact Us](#)

## Multi-fiber Push On (MPO) Connectors

Multi-fiber push on connectors, or MPOs, are fiber cable connectors comprised of multiple optical fibers. Learn more at Fluke Networks.

[Contact Us](#)



## Fiber-optic communication

Modern fiber-optic communication systems generally include optical transmitters that convert electrical signals into optical signals, optical fiber cables to carry the

[Contact Us](#)

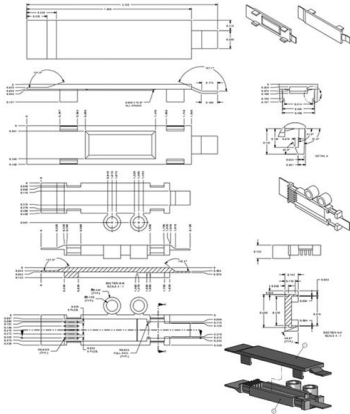




## How to connect a new optic fibre to an ethernet switch

The objective is to run 1 or 2 additional optic fibre from the main switch down to the shed in the back of my garden and down to the garage as well. Here's a quick sketch to present the layout

[Contact Us](#)



## Connecting Network Switches via Fiber

SFP transceiver modules are specific to the type of fiber being connected (either single mode or multimode). Choose an SFP module based on the fiber optic

[Contact Us](#)

## Synchronous optical networking

Synchronous Optical Networking (SONET) and Synchronous Digital Hierarchy (SDH) are standardized protocols that transfer multiple digital bit streams synchronously over optical fiber using lasers or

[Contact Us](#)



## Industrial PoE & Ethernet Switches, Media Converters,

Omnitron Systems designs and manufactures Media Converters, Power over Ethernet Media Converters, PoE Switches, PoE Extenders, Ethernet Switches,

[Contact Us](#)



## Passive optical network

Passive optical network A fiber optic cable assembly with SC APC connectors, as commonly used to link optical network terminals to passive optical networks A

[Contact Us](#)



## Contact Us

---

For datasheets, pricing, or custom fiber access solutions, please visit:  
<https://frindel.es>