

Fiber optic cable pricing by the three major telecom operators





Fiber optic cable pricing by the three major telecom operators

20 Largest Fiber Optic Cable Companies (2025 List)



This updated list ranks the 20 largest fiber-optic cable companies worldwide and summarizes what each vendor is best known for--core product lines, regional

[Contact Us](#)

Fiber Optic Cable Price Trends 2026 , China Telecom

China Telecom's 2026 fiber cable tender shows rising prices and strong demand. Key insights for telecom contractors and buyers.

[Contact Us](#)



Cost of Fiber Optic Cable: Pricing Guide (2026)

Discover the cost of fiber optic cable in this pricing guide. Learn material prices, installation factors, and what impacts total project costs overall.

[Contact Us](#)



Fiber Optic Cable Market Size, Demand, Growth By 2035

Fiber optic cable market has emerged as vital part of the worldwide telecommunications and data transmission system.

[Contact Us](#)



Multi-mode optical fiber

Multi-mode optical fiber is a type of optical fiber mostly used for communication over short distances, such as within a building or on a campus. Multi-mode links can

[Contact Us](#)



Cable television

Cable television is a system of delivering television programming to consumers via radio frequency (RF) signals transmitted through coaxial cables, or in more recent

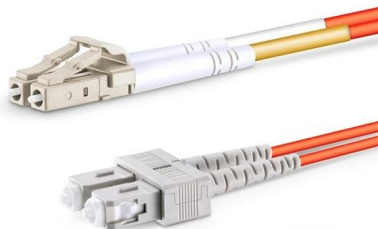
[Contact Us](#)



Best Fiber Internet Providers for 2026

Fiber internet is easily the fastest and most reliable connection type. Compare fiber internet providers and check availability of plans in your area.

[Contact Us](#)

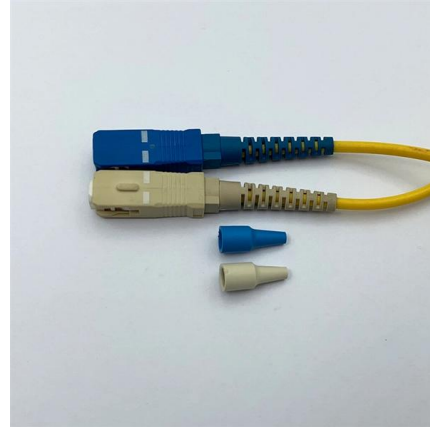




Fiber Optic Cable Price in 2026: Real Market Data for March

This article summarizes the latest fiber optic price data as of March 9, 2026, along with the recent timeline of price changes and the factors behind the surge.

[Contact Us](#)



3BL

We've helped over 1,500 organizations build stronger communications and distribute their stories on credible publishers that drive reputation.

[Contact Us](#)

As Europe's fibre market is redefined, how do investors, operators,

We have worked with multiple fibre operators in recent years, as well as investors and lenders active in this area across all operational and financial areas, typically on the highest impact, most urgent

[Contact Us](#)



ITPro Today, Network Computing, IoT World Today combine

ITPro Today, Network Computing and IoT World Today have combined with TechTarget . The page you are looking for may no longer exist.

[Contact Us](#)



Investing in fiber cable: Four broadband opportunities

High investor demand has put a premium on fiber networks that deliver broadband connections to households, but there is still scope for more

[Contact Us](#)



Corning , Materials Science Technology and Innovation

Corning Incorporated is a global-leading innovator in materials science, with 170 years of life-changing inventions and category-defining products.

[Contact Us](#)



Telekom Malaysia

Telekom Malaysia Berhad or simply TM is a Malaysian telecommunications company that was founded in 1984. Beginning as the national telecommunications

[Contact Us](#)



Submarine Cable Map

TeleGeography's comprehensive and regularly updated interactive map of the world's major submarine cable systems and landing stations.

[Contact Us](#)

LoRawan outdoor base station

- * Industrial Internet gateway
- * Compatible with LoRaWAN network,
- * ClassA/B/C mode
- * Support 8/16 channel
- * Supports PoE power
- * supply and backup battery power supply
- * 10KV lightning protection





Solutions , Nokia

Optical networks Nokia optical network solutions for transport networks with advanced coherent optical engines, scalable open optical line systems, and AI

[Contact Us](#)



News

News from the connectivity and digital infrastructure sectors, including telecoms, data centres, tower and wireless, subsea and more.

[Contact Us](#)

Optical networks

An optical transport network is a high-speed communication system that sends light signals over fiber-optic cables to move large amounts of data across long

[Contact Us](#)



Comprehensive Guide to Fiber Optic Cable Pricing: Cost Analysis and

Explore detailed insights into fiber optic cable pricing, including cost factors, quality considerations, and long-term value benefits for modern telecommunications infrastructure investments.

[Contact Us](#)



Top 10: Global Fibre Network Providers , Telco Magazine

Take a look at Telco Magazine's Top 10 Global Fibre Network Providers. Fibre networks are the backbone of the digital economy, powering 5G,

[Contact Us](#)



Fiber-optic cable

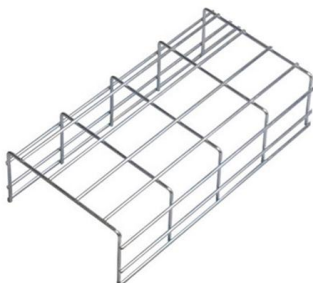
A fiber-optic cable, also known as an optical-fiber cable, is an assembly similar to an electrical cable but containing one or more optical fibers that are used to carry

[Contact Us](#)

20 Largest Fiber Optic Cable Companies (2025 List)

Updated list of the 20 largest fiber-optic cable makers--profiles, product lines, regions, and sourcing tips to shortlist vendors.

[Contact Us](#)



Adtran

Adtran is a leading global provider of open, disaggregated networking and communications solutions that enable voice, data, video and internet

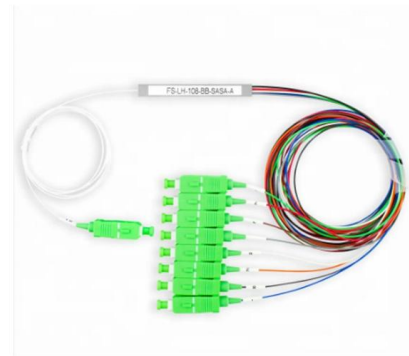
[Contact Us](#)



Fiber Optic Cable Pricing Guide: Factors That Affect

This guide outlines the major factors that influence fiber optic cable costs and provides practical tips for estimating pricing in bulk or project-based

[Contact Us](#)



Home

Optical Cable Corporation Networks that Mean Business High-performance networks are essential to business, including manufacturing, transportation, education,

[Contact Us](#)

Fiber Deployment Annual Report 2023

In this report, we summarize the fiber deployment landscape in 2023, present findings from our annual fiber deployment study, and look ahead to 2024 for developments in the industry.

[Contact Us](#)



WebiTelecomms Cabling



Fiber Optic Cable Pricing Guide: Factors That Affect

Fiber optic cables are essential components in today's broadband, FTTx, and data center networks. Whether you're planning a national fiber rollout

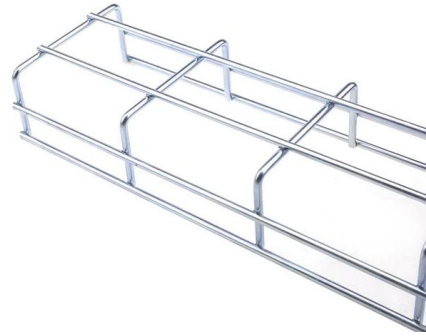
[Contact Us](#)



Telecommunications in India

About 670,000 route-kilometres (420,000 mi) of optical fibre has been laid in India by the major operators, including in the financially nonviable rural areas and the

[Contact Us](#)



Contact Us

For datasheets, pricing, or custom fiber access solutions, please visit:
<https://frindel.es>