

Fiber optic cable laying through silicon core tube





Fiber optic cable laying through silicon core tube



Fiber Optic Cable Core: Understanding Its Types and Uses

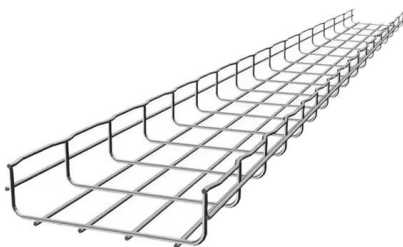
Don't worry, in this guide, we'll discuss in detail what the fiber optic core is and its role in data transmission. Moreover, we'll also explore the different

[Contact Us](#)

101 Guidelines for Fiber Optic Cable Installation

Buried cable installations. Identify cable locations with surface markers. Anticipate obstructions. Test jumpers must be of the same fiber core size, performance and

[Contact Us](#)



Instal 04 Buried Cable Installation Practices Iss3

1.0 GENERAL 1.01 This procedure provides general information for the installation of Prysmian fiber optic cables in direct buried applications. The methods described are intended for guideline use only,

[Contact Us](#)

Optical Fiber Cable Installation Guideline

While fiber optic cables are typically stronger than copper cables, it is still important that the cable maximum pulling tension not be exceeded during any phase of cable installation.

[Contact Us](#)



Fiber Optic Communication Optical Duct Cable PE Silicon Core Tube

The inner layer of ducts is duly silicon coated which minimizes the friction between OFC and the duct during the process of blowing the cable into the ducts, thus providing smooth installation of OFC in

[Contact Us](#)



Undersea cables are the unseen backbone of the global

Undersea cables tie the world together. TeleGeography, CC BY-SA Laying cable under the sea Each undersea cable contains multiple optical fibers,

[Contact Us](#)



Basic Components of a Fiber Optic Cable - trueCABLE

This article examines the key components that make up a fiber optic cable including the core, cladding, coating, strengthening fibers and cable jacket.

[Contact Us](#)





Duct Installation of Fiber Optic Cable

Fiber optic cable which passes through manholes containing petroleum-based waste will require special protection. Some petroleum products will deteriorate the cable's polyethylene sheath.

[Contact Us](#)



Underground Fiber Optic Cable Installation: Top 5 Best

Explore expert tips and best practices for underground fiber optic cable installation, ensuring efficiency and reliability. Get insights now!

[Contact Us](#)



The FOA Reference For Fiber Optics -Outside Plant

Typically, optical fiber cables do not carry electrical power, but the metallic components of a conductive cable are capable of transmitting current. When the

[Contact Us](#)



Underground Fiber Optic Cable: Installation Guide

Guide to Underground Fiber Optic Cable Jun 12, 2025 In the digital age, underground fiber optic cable serve as the invisible arteries of global

[Contact Us](#)



Underground Fiber Optic Cable Installation:

Explore the process and benefits of underground fiber optic cable installation. Learn how this infrastructure investment can elevate your internet

[Contact Us](#)



HDPE silicon core pipe for communication cable protection

Directly buried fiber optic cable casing, with a permanent lubricating lining on the inner wall, with a smaller friction coefficient. The air blowing method is used to lay

[Contact Us](#)



The FOA Reference For Fiber Optics -Outside Plant

The following items are key considerations in preparation for installing the fiber optic cable when the construction is ready for cable placement. Optical fiber cable

[Contact Us](#)



The FOA Reference For Fiber Optics

All fiber optic applications are not the same. At the FOA, we're mainly concerned with communications fiber optics - telco, CATV, LAN, industrial, etc., but fiber optics

[Contact Us](#)



Submarine communications cable



7 - Petroleum jelly 8 - Optical fibers Submarine cables are laid using special cable layer ships, such as the modern René Descartes , operated by Orange Marine.

[Contact Us](#)



Submarine Fiber Optic Cable: Top 10 Amazing Facts 2025

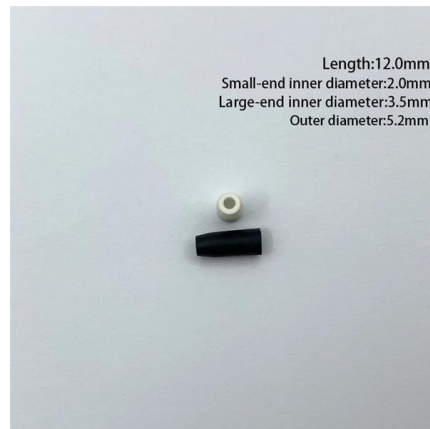
Explore the world of submarine fiber optic cable: global connectivity, technology, and future innovations in this informative guide.

[Contact Us](#)

Transoceanic Fiber Optics: The Cable That Runs the

A "standard" fiber optic cable has a core, a cladding layer, and is usually coated with acrylate polymer or polyamide. There could be more layers of

[Contact Us](#)



How to Install Underground Fiber Optic Cables: A

Learn how to install underground fiber optic cables with this detailed guide. Get tips on planning, trenching, cable pulling, testing, and ensuring long

[Contact Us](#)



Laying a 1000 FT. UNDERGROUND FIBER CABLE, Step-by-Step --

Sander really thought through the entire process, especially when designing the Local Area Network (LAN) that we would have for the future homes, so he wanted to create this step-by-step how to

[Contact Us](#)



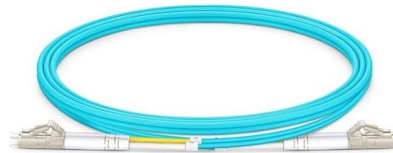
Underground Fiber Optic Cable: A Comprehensive Guide

Explore the world of underground fiber optic cable in this comprehensive guide. From installation techniques and benefits to career opportunities, dive into the depths of buried connectivity and

[Contact Us](#)

Undersea Fiber Optic Cables: Everything You Need to Know

The laying of undersea fiber optic cables is a highly skilled operation that involves meticulous planning, precise execution, and specialized equipment. By following careful procedures, adhering to industry



[Contact Us](#)



Fiber Optics Fundamentals: Construction, Transmission,

As this paper has demonstrated, the structure of a fiber optic cable, from core to coating, directly affects signal containment, mechanical durability,

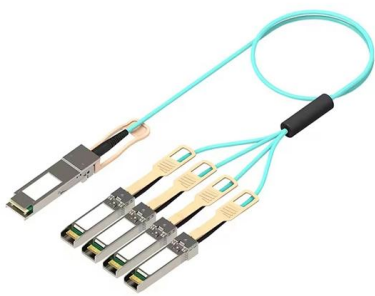
[Contact Us](#)



Master Your Fibre Optic Installation: Step-by-Step Best Practices

This prevents any interruption in light flow through the cable, thus maintaining high-quality data transfer rates. Employing optical network terminals for testing can assist in guaranteeing

[Contact Us](#)



Everything you need to know about the undersea cables

There is a huge system of fibre-optic cables lying underneath the world's oceans Andrea Peterson Tuesday 27 October 2015 13:03 GMT Italian

[Contact Us](#)

Optical fibers: cladding and core

To transmit data, a signal is sent through the fiber optic cable across large distances. Because the core has a higher optical density and a higher refractive index than

[Contact Us](#)



This is How Fiber Internet is Installed Underground

Discover the process of underground construction for fiber internet. Take a closer look at how internet service providers (ISPs) run fiber lines underground to connect your home to high-speed

[Contact Us](#)



How to Choose the Right Conduit for Your Fiber Optic

In this comprehensive guide, we'll walk you through the process of choosing the right conduit for your fiber optic installation. What is the role of Conduit for Fiber Optic

[Contact Us](#)



HDPE Silicon Core Pipes: Faster, Safer Fiber Optic Installation

Discover how HDPE silicon core pipes reduce friction by 50%, enable 1,500+ ft cable pulls, and cut installation costs by 18%. Built for extreme conditions and future-ready networks.

[Contact Us](#)

Microsoft Word

1.0 GENERAL 1.01 The methods described in this document for placing cable in ducts are intended for use only as guidelines. It is impossible to cover all the various conditions that may arise during an

[Contact Us](#)



Handbook Optical fibres, cables and systems

As said above, in its simplest form a step-index fibre consists of a cylindrical core surrounded by a cladding layer whose index is slightly lower than that of the core.

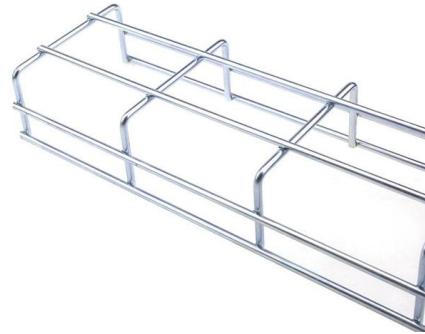
[Contact Us](#)



Fibre optic cable installed via submersible sea plow , Britannica

NARRATOR: Fiber optics are increasingly attractive for laying cables over huge distances, as in this underwater cable. Because a conventional coaxial cable becomes weakened, or suffers attenuation, repeaters are needed every four or five kilometers to boost the signal.

[Contact Us](#)



Underground Conduit Placement, Explained

Underground conduit refers to a protective tube or casing used to house and protect fiber optic cables underground. Made from durable materials

[Contact Us](#)

Fiber Optic Cable Installation Process: Connecting Homes

The fiber optic cable installation process, meaning connecting homes with internet service, is becoming increasingly critical and important to understand.

[Contact Us](#)



Silicon core fibers--From fabrication to applications

This tutorial reviews silicon core fibers: a platform that unites fiber optics and silicon photonics.

[Contact Us](#)

HDPE Silicon Core Pipe



HDPE Silicon Core Pipe is a high-performance conduit specially designed for optical cable protection. Featuring a durable HDPE outer layer and a low-friction silicon inner lining, it enables smooth and

[Contact Us](#)



Contact Us

For datasheets, pricing, or custom fiber access solutions, please visit:
<https://frindel.es>