

# Fiber optic cable 78 feeder





## Overview

---

Our 7/8" feeder cable meets the high standard quality requirements of Rosenberger, Amphenol, Commscope and substitute of 123-3-50, AVA5-50, RFS LCF78-50JA, etc. Product Name: 7/8 inch Feeder Cable Impedance: 50 ohm Inner Conductor: Copper-clad aluminum Outer Conductor:. At RFS we specialize in the design and manufacture of premium, future-ready cable solutions for customers across the globe. With over 120 years of heritage in the industry, we build reliable and long service life connectivity systems. GL's feeder cables have reliable performance, excellent electrical characteristics and flexibility, low insertion loss & attenuation, low passive intermodulation (PIM). HUBER+SUHNER offers a wide range of FO cables, connectors, cable assemblies, fiber management and cable systems designed withstand the harsh environments of onshore and offshore applications.



## Fiber optic cable 78 feeder

---



### Feeder cables

Feeder cables are Fiber Optic Cables that run out from the Access Node up to the Fiber Distribution terminal. The number of fibers in the cable will depend on the build type.

[Contact Us](#)

### Feeder cables

Feeder cables Fiber optic feeder cables run from the access node to fiber distribution points such as street cabinets or building entrance fiber boxes. Microfocus optical fiber cables are available in a

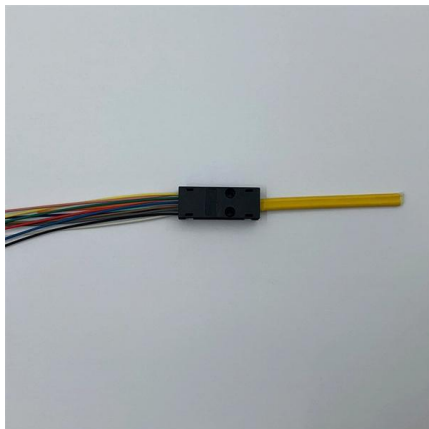
[Contact Us](#)



### Feeder cables

These cables are up to 50% smaller than standard loose tube cables and offer high fiber counts in a small cable diameter footprint. Our cable is available in fiber counts from 12 to 288 fibers in several

[Contact Us](#)



### FDT for PON: Components and Functions Explained

Learn about the structure, design, benefits, and challenges of an FDT, a key device for connecting and splitting optical fibers in a PON.

[Contact Us](#)



### Fiber optic cable systems

HUBER+SUHNER offers a wide range of FO cables, connectors, cable assemblies, fiber management and cable systems designed withstand the harsh environments of onshore and offshore applications.

[Contact Us](#)



### Incab America LLC: Fiber Optic Cable Manufacturers & Company

Hier sollte eine Beschreibung angezeigt werden, diese Seite lässt dies jedoch nicht zu.

[Contact Us](#)



### How to Choose the Suitable Number of Fiber Cores for

Fiber optic cables are essential to modern networks, enabling high-speed and reliable data transmission. Among their many features, the number of

[Contact Us](#)





## Fiber Optics, Feeder System, Cabling Accessories

Fiber Optic Solutions: Fiber Optic Patch Cords, MPO/MTP, Optical Transceivers, FTTH Solutions, PLC Splitters, etc. Feeder Systems: Feeder Cables, RF

[Contact Us](#)



### 7/8? Feeder Cable RF50-7/8? Black PE

Special Hansen 7/8? Feeder Cable is reasonably priced, competitive. Attenuation values may have a tolerance of +8%. At least 1 m of inside end of cable will be reserved for testing.

[Contact Us](#)

### Feeder Cable: What It Is and How It Works in Telecommunications

Feeder cable is a crucial component of telecommunications networks, providing high-capacity data transfer and supporting a wide range of applications. In this article, learn about feeder cable, its uses,

[Contact Us](#)



### Fiber Optics, Feeder System, Cabling Accessories

Shanghai Telsto Development Co., Limited specializes in providing high-quality Fiber Optic Solutions, Feeder Systems, and Cabling Accessories. Our extensive

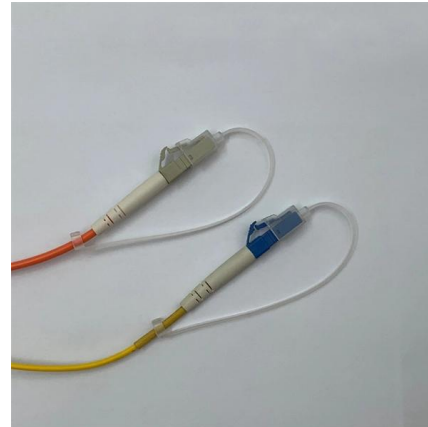
[Contact Us](#)



### Useful feeder cable in FTTH

High Fibre Count Feeder Cable In the case of a PON (Passive Optical Network) the use of passive fiber splitting devices positioned further into the external network may enable smaller fiber counts cables

[Contact Us](#)



### Feeder cables

Feeder cables Fiber optic feeder cables run from the access node to fiber distribution points such as street cabinets or building entrance fiber boxes. Microfocus optical fiber cables are available in a

[Contact Us](#)

### 7 8 Feeder Cable Specifications: A Complete Guide to

What are the key specifications of a 7/8 feeder cable? The outer diameter, bend radius, tensile strength, and center conductor type are critical for ensuring signal integrity and mechanical reliability in field

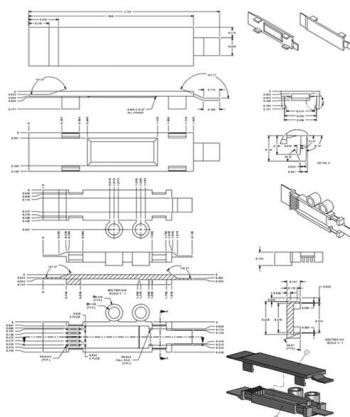
[Contact Us](#)



### TeleDelta LF78-50-TD 7/8 Inch Leaky Feeder Cable 10-2700Mhz

The TeleDelta LF78-TD-001 is a 7/8 Inch 50 ? leaky feeder cable designed for underground, in-building, and mobile communication applications. This cable ensures reliable signal

[Contact Us](#)





## FEEDER CABLE 7/8" - Litech

Feeder Cable Connector for Corrugated Cable Adapters & Hybrid Adapters Cable Clamp RF Jumper

[Contact Us](#)



## CELLFLEX RF Feeder Cable

Explore RFS 7/8" CELLFLEX RF Feeder Cable Solutions for reliable, low-loss signal transmission in advanced RF communication systems. Enquire now!

[Contact Us](#)

## Connecting the Future With FTTH Cables

They are intermediate link connecting the feeder cable subsystem and the drop cable subsystem. It had better adopt the tree structure with the optical

[Contact Us](#)



## Fiber Optic Cable Types: A Complete Guide

The plethora of fiber optic cable types can seem overwhelming, but choosing the right cable for the job is important.

[Contact Us](#)



### 7/8" Feeder Cable 50 ohm, PE Jacket, 500m (1640?) /

Our 7/8" feeder cable meets the high standard quality requirements of Rosenberger, Amphenol, Commscope and substitute of 123-3-50, AVA5-50, RFS LCF78-50JA,

[Contact Us](#)



### Novel Optical Fiber Cable for Feeder and Distribution Sections in

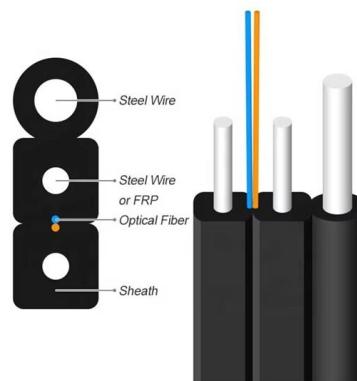
Abstract This paper describes a new termination, feeder and aerial distribution cable for the feeder and distribution sections of access networks. These cables have great advantages in terms of cost and

[Contact Us](#)

### 7/8" Foam Dielectric Flexible RF Corrugated Feeder Cable

Buy 7/8" Foam Dielectric Flexible RF Corrugated Feeder Cable at the best price from Norden Communication, the global manufacturer and supplier of electrical and

[Contact Us](#)



### CELLFLEX RF Feeder Cable

RFS Technologies designs and manufactures premium-quality cable and antenna solutions for wireless, public safety, distributed antenna system (DAS) and other telecom markets in North America. As an

[Contact Us](#)



## 7/8" Feeder Cable , RF Accessories for cellular/mobile network

Shenzhen Lianstar Technology Co., Limited, a manufacturer from China who provides 7/8" Feeder Cable as Main feeder for mobile communication base stations, In-building distribution system and

[Contact Us](#)



## FTTH Feeder Network Details

FTTH Feeder Network Details: Feeder cables are Fiber Optic Cables (FOC) that run out from the Access Node into the FTTH area up to the primary

[Contact Us](#)

## 7/8" Feeder Cable 50 ohm, PE Jacket, 500m (1640?) /

GL's feeder cables have reliable performance, excellent electrical characteristics and flexibility, low insertion loss & attenuation, low passive intermodulation (PIM). Our

[Contact Us](#)



## CELLFLEX RF Feeder Cable

With over 120 years of heritage in the industry, we build reliable and long service life connectivity systems. Because we care about our collective future.

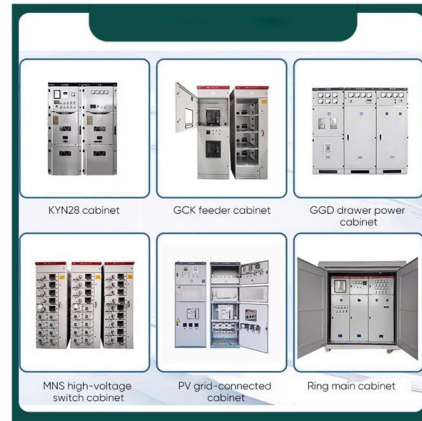
[Contact Us](#)



## 7/8 Corrugated copper cable

7/8" Corrugated copper cable DESCRIPTION  
Amphenol feeder cables are designed for low loss connections from electronic transmission or reception units right up to the antenna. The cable

[Contact Us](#)



## Contact Us

---

For datasheets, pricing, or custom fiber access solutions, please visit:  
<https://frindel.es>