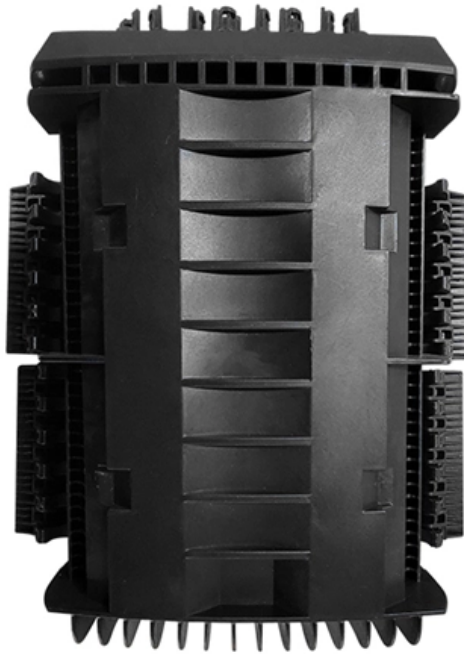


Fiber Pigtail Plug Crimping Machine





Fiber Pigtail Plug Crimping Machine



What Is a Pigtail Connector: Types, Uses & Guide

At its simplest, a pigtail connector is a connectorized stub cable: one end comes pre-terminated with a specific connector (RF, fiber, or electrical), and

[Contact Us](#)

understanding the basics of fiber optic crimping machines: a

In conclusion, fiber optic crimping machines play a crucial role in the installation and maintenance of fiber optic cables. understanding the basics of these machines is essential for anyone working in the

[Contact Us](#)



understanding the different types of fbt fiber optic crimping machines

When choosing an fbt fiber optic crimping machine, there are several features to consider, including: - heat and pressure settings: machines with adjustable heat and pressure settings offer greater

[Contact Us](#)



How to Terminate Fiber in Seconds

You'll learn to prepare your fiber before inserting it into the connector for termination and how to set up and use the SimplyFiber tools to successfully terminate your cable.

[Contact Us](#)



Fiber Connectors Pneumatic Crimping Machine

Pneumatic crimping machine for most types of fiber connectors (FC/SC/ST/LC/MU/MTRJ/E2000 connectors etc.)

[Contact Us](#)



Fiber Optic Patch Cord Production Line & Making Machines

Complete Fiber Optic Patch Cord and Pigtail Production Lines. High-efficiency manufacturing machines for cable cutting, crimping, polishing, and testing. Build your own fiber assembly factory with our

[Contact Us](#)



Buy In Bulk Pigtail Machine Automatic Splicer, Networking Toolkit

High-performance pigtail machine for fiber splicing, ideal for wholesale buyers. Average price around \$1146.78, start your bulk purchase from 1 unit. Horizontal crimping machine for patch cord production

[Contact Us](#)





Fiber Connector Crimping Machine FCCM-3000A -

Key Features: 1 signed for fiber connector crimping and assembly 2.Precision Hex size for Crimp 3.Appicalbe to SC/FC/E2000/MU/LC connectors 4.Provide

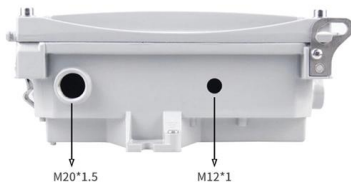
[Contact Us](#)



Fiber Connectors Cripming Machine FCCM-5000A

FCCM-5000A Crimping machine is used for assembling fiber optic connectors / ceramic ferrules and fiber optic adapters. Pressure of the machin is adjustable,

[Contact Us](#)



How to Splice Fiber Optic Pigtails: A Step-by-Step Guide

Master the art of fiber termination. Learn how to splice fiber optic pigtails using fusion splicing, follow the color code, and ensure low insertion loss.

[Contact Us](#)



Fiber Connectors Pneumatic Crimping Machine

Fibretool HW-336CM - pneumatic crimping machine for fiber connectors. Features 7 crimping sizes (hex 3.2, 3.84, 4.5 & round 5.0 mm). Can be used for most types

[Contact Us](#)



Fiber Optic Crimping Tools, Pneumatic Crimping



"Fiber Optic Center has SC Crimp, Cavity Crimp and LC Crimp tools in stock and ready to ship. We distribute fiber optic crimping tools from Schleuniger,

[Contact Us](#)



Fiber Optic Making Machine Electric Crimping Machine Fiber Optic

Fiber Optic Making Machine Electric Crimping Machine for Fiber Optic Patch Cord and Pigtail Production Line. CLX-Y1E model, 1KW power, 1500KG crimp force. Perfect for FTTH., Alibaba

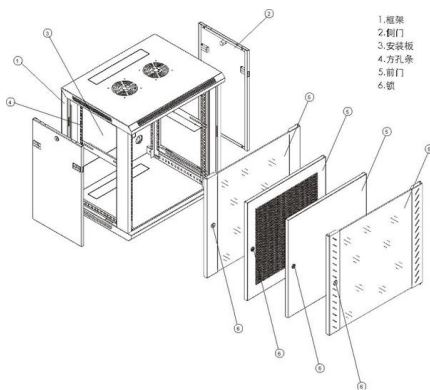
[Contact Us](#)



What is a Fiber Optic Pigtail, and What Is It Used For?

Discover the essentials of fiber optic pigtails, including types, uses, and installation procedures to ensure smooth network operations in data and

[Contact Us](#)



understanding fiber crimping: a comprehensive guide

In conclusion, fiber crimping plays a crucial role in the world of fiber optics. understanding the crimping process, the tools and equipment involved, and the types of fiber connectors available is essential for

[Contact Us](#)

Fiber Optic Crimping Machine



Description: Crimping Machine for FC,ST,SC,MU,LC and E2000 Fiber Optic Connectors can be used in the fiber optic connector assembly and other

[Contact Us](#)



Punching / Crimper Machines Patch Cord and Pigtail

Pneumatic Fiber Optic Connector Crimper is used for crimping the fixing rings of fiber optic connector to fix fiber optic cable jacket and Kevlar pneumatically when

[Contact Us](#)

Fiber crimping machine

Fiber crimping machine for optical fiber cable connector crimping, fully automatic terminal crimping. Average price around \$142K, MOQ 1 unit. Suitable for wholesale, ideal for distributors, and

[Contact Us](#)



Easy Crimp ANT Q-Fiber

Easy Crimp ANT Q-Fiber is a mechanical system for securing fibre-optic splices. It is an aluminium clamp, covered with glue for easier placement of the fibre-optic splice inside the clamp.

[Contact Us](#)



Fiber Optic Pigtail Manufacturer , Baymro B2B Supply

Enhance network reliability with our precision-spliced fiber optic pigtails. Leading B2B manufacturer delivering bulk-ordered pigtails for seamless connectivity.

[Contact Us](#)



Fiber Optic Fusion Splicing

Corning's Pigtailed Splice Cassettes are pre-routed and preloaded enabling faster field splicing. Learn more about the Corning fiber optic fusion splicer.

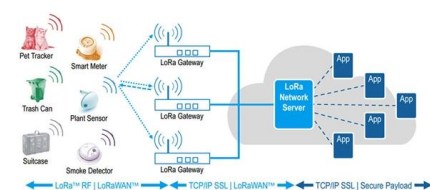
[Contact Us](#)



What is Fusion Splicing?

The good news is that Cables Plus offers a complete line of solutions to meet all your splicing needs, including fusion splicing machines, cleavers, strippers, fiber

[Contact Us](#)



One shot crimping machine 1T Price & Datasheet

Punching Machine patch cord and pigtail manufacture line SKU: M654 Categories: Fiber Patch Cord and Pigtail Manufacture production Line, Patch Cord and Pigtail Production

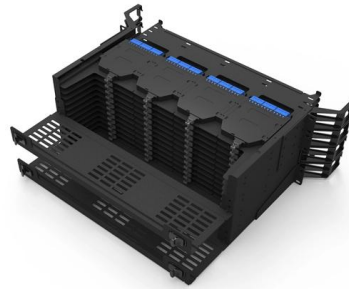
[Contact Us](#)



Fiber Optic Patch Cord and Pigtail Production Line

Wuhan Walloon WL-FOCM300 vertical fiber optic crimping machine is a crimping equipment for fiber optic connector assembly and ceramic ferrule metal tail and

[Contact Us](#)



What is Fiber Pigtail? A Complete Guide for Beginners

A fiber pigtail is a thin multimode or single-mode fiber optic cable with a connector installed on one end. The purpose of the fiber pigtail is to terminate

[Contact Us](#)

Fiber Connectors

Increase ROI on fiber projects by selecting field-terminated fiber connectors that don't require intensive training or tooling expenses. Choose from three fiber field

[Contact Us](#)



Fiber Optic Crimping Machine

Easy to handle, High quality and efficiency. Use air pressure of not less than 0.6 ~ 0.9Mpa, the maximum pressure 1000kgf.

[Contact Us](#)



Contact Us

For datasheets, pricing, or custom fiber access solutions, please visit:
<https://frindel.es>