

Fiber Optic Protection Box Pigtail Connection Method





Overview

Fiber pigtails have two connection methods: mechanical splicing and fusion splicing: 1. Mechanical splicing of fiber pigtails The laid fibers and pigtails are stripped, cut, cleaned, and then inserted into the splice matching tray to align, tangent and lock. They are the bridge between fiber optic cables in the field and the equipment or patch panels that manage them.



Fiber Optic Protection Box Pigtail Connection Method



Fiber Optic Pigtail: The Complete Guide to Types, Splicing Methods

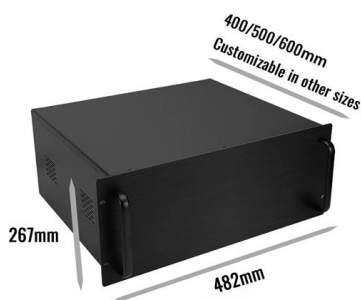
This guide covers everything: what fiber optic pigtails are, how they differ from patch cords, which connector and polish type to specify, how to choose between mechanical and fusion

[Contact Us](#)

What is a Fiber Optic Pigtail, and What Is It Used For?

Discover the essentials of fiber optic pigtails, including types, uses, and installation procedures to ensure smooth network operations in data and

[Contact Us](#)



Amazon : Fiber Splice Box

XMSJSIY Waterproof Optic Fiber Protection Box Connection Box LC Coupler Adapter Outdoor IP67 Optical Network Wiring Protective Cover Case for SC/SC,LC/SC,LC/LC Coupler Connector - Black -

[Contact Us](#)

Splicing Fiber Optic Machine

Splicing fiber Optic patch panel/Termination Box/ODF Fiber optic patch panel is an integrated unit for fiber management, Foclink offer wall mounted fiber optic patch panel and rack mounted fiber optic



Fiber Optic Pigtail: What Is It and How to Splice It?

Fiber optic pigtails are essential components in fiber optic installations, used to connect fiber optic cables to devices or equipment. They provide a

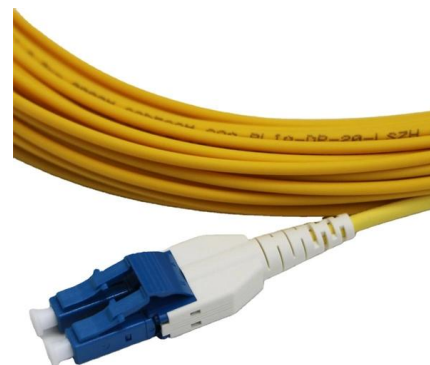
[Contact Us](#)



Fiber Optic Pigtails: Uses & Differences from Patch Cords

In this guide, we will break down what fiber optic pigtails are, how they differ from patch cords, what types exist, and how to select the right one for

[Contact Us](#)



Connections among Fiber Terminal Boxes & Patch

Fiber optic closure is fully sealed, waterproof but it can't fix pigtails; fiber terminal box is not waterproof, while the internal structure can fix fiber optic cables, pigtail

[Contact Us](#)





The Complete Guide to Pigtail Fibers: Simplifying

Introduction In the world of fiber optics, where speed and precision reign supreme, pigtail fibers are the unsung heroes bridging the gap between

[Contact Us](#)



Fiber Optic Pigtail: The Backbone of Your Network

Master fiber optic pigtail for robust network infrastructure. Learn about single-mode vs multi-mode, splicing, and connector types to optimize performance.

[Contact Us](#)

ODF Fiber Optic Patch Panel, ODF Unit Box

ODF fiber optic terminal box manufactured by UnitekFiber Solution is flexible in configuration, simple in installation, easy to maintain, and is an indispensable

[Contact Us](#)



Comprehensive Guide to Fiber Optic Pigtails , Gezhi Photonics

Dive into the world of fiber optic pigtails, their types, applications, and splicing methods. Enhance your network's performance with Gezhi Photonics. Keywords: Fiber Optic Pigtails, Fiber

[Contact Us](#)



What is a Fiber Optic Pigtail? , Types, Uses & Advantages

Thus, one side of the connector can be connected to the device, and the other is fused to the fiber optic cable. Fiber optic pigtails terminate fiber optic

[Contact Us](#)



Fiber Optic Pigtail Introduction and Installation Guide

The fiber optic pigtail is a short terminated optical fiber with a connector on one end, used to facilitate easy connections between fiber optic cables and various

[Contact Us](#)

Comprehensive Guide to Fiber Optic Pigtails , Gezhi Photonics

It's a commonly utilized method to terminate fiber optic cables via fusion or mechanical splicing, providing optimal performance for fiber optic cable terminations when carried out with high

[Contact Us](#)



The Ultimate Guide to Fiber Optic Protection Box

A Fiber Optic Protection Box is an indispensable component in today's high-speed communication networks, serving as the frontline defense for delicate

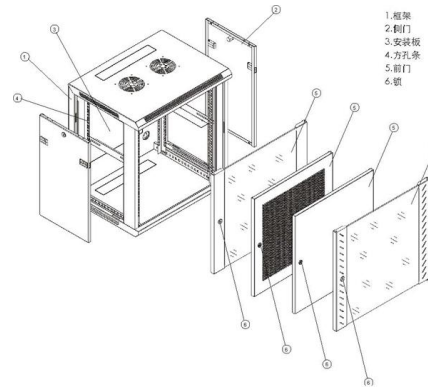
[Contact Us](#)



Fiber Optic Cable vs Patch Cord vs Pigtail - Complete

A pigtail has a connector on one end and is fusion-spliced to the cable inside ODFs/boxes. A patch cord has connectors on both ends for front

[Contact Us](#)



What is Fiber Pigtail? A Complete Guide for Beginners

Fiber optic pigtails are mainly for fast fusion splicing applications, while patch cords are for connectivity between optical transceivers, patch panels,

[Contact Us](#)

Fiber Optic Pigtail , FiberopticBank

Fiber optic pigtail offers an optimal way to joint optical fiber, which is used in 99% of single-mode applications. This post contains some basic knowledge of fiber optic pigtail, including pigtail

[Contact Us](#)



What Is Fiber Optic Pigtail and How to Splice It?

It can be attached to optical fibers by fusion or mechanical splicing. Given the access to a fusion splicer, you can splice the pigtail right onto the cable

[Contact Us](#)

The Types and Connection Methods of Fiber Pigtails





Fiber pigtailed have two connection methods: mechanical splicing and fusion splicing: 1. Mechanical splicing of fiber pigtailed. The laid fibers and pigtailed are stripped,

[Contact Us](#)



Fiber Optic Pigtail: The Backbone of Your Network

Unlike a patch cord, which has connectors on both ends, a pigtail features a factory-installed connector on one end and un-terminated fiber on the

[Contact Us](#)

Fiber Optic Pigtail Introduction and Installation Guide

Fiber optic pigtailed provide an optimal solution for joining optical fibers, particularly in 99% of single-mode applications. This post will cover fundamental information

[Contact Us](#)



2 SC Port Fiber Optic Wall Outlet, 2 Cores Splicing

This 2 port fttH termination box is surface mount wall outlet designed to terminate and protect optical fiber in FTTH networks. It typically serves as an indoor termination

[Contact Us](#)



What Is Fiber Optic Pigtail and How to Splice It?

Duplex fiber optic pigtail has two fibers and two connectors on one end. Each fiber is marked "A" or "B" or different colored connector boots are used

[Contact Us](#)



All You Need To Know About Fiber Termination Boxes:

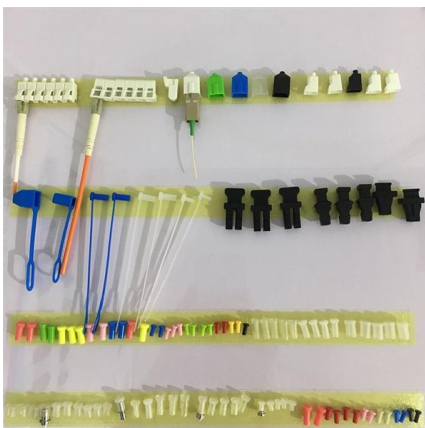
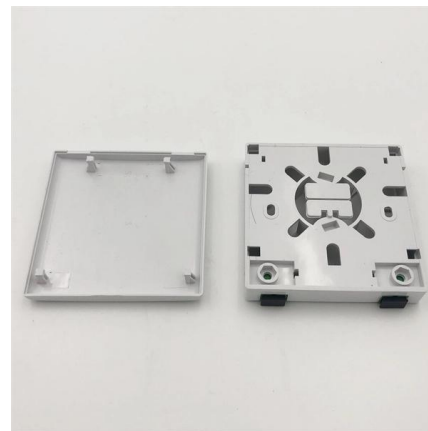
A fiber pigtail is a specific hardware connection used for cable termination. Thus, a fiber termination box is used to terminate the optical fiber

[Contact Us](#)

Connections among Fiber Terminal Boxes & Patch

Fiber Terminal Box is a terminal protection box for the splicing of fiber optic cable and pigtail. Fiber optic terminal box is a cable end fitting. Its two ends are fiber optic

[Contact Us](#)



Fiber optic cable termination box FODB-24

Applied to outdoor walls or pillars, for connecting optical fiber lines and transmitting signals. Applied to indoor, for Splicing indoor optical cables and protecting the

[Contact Us](#)



Fiber Optic Pigtails: Uses & Differences from Patch Cords

Understand fiber optic pigtails -- definition, types, and how they differ from patch cords. Learn why pigtails ensure reliable, low-loss fiber terminations.

[Contact Us](#)



TECHNICAL DATA SHEET FOR OPTICAL FIBER PIGTAIL

@fibconet , T: 86 574 87246370 Description fiber optic Pigtail is a fiber optic cable capped at either end with connectors that allow it to be rapidly and conveniently connected to CATV,

[Contact Us](#)

Indoor FTTH Fiber Optic Termination box With 2 SC

The ftth termination box comes with 2 sc ports which providing optical interface for connecting the subscriber's patch cable. It is of ABS plastic providing protection

[Contact Us](#)



2. Imported design is convenient for expansion.

The design of two inlets saves space and allows for rear line entry.

Contact Us

For datasheets, pricing, or custom fiber access solutions, please visit:
<https://frindel.es>