

Fiber Optic Patch Cord Load Testing Methods



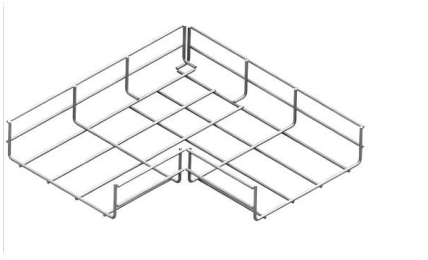


Overview

In this blog post, we'll take a deep dive into the key performance tests for fiber optic patch cords — polarity verification, insertion loss and return loss measurement, 3D interferometric endface metrology, and endface inspection — along with the relevant standards, equipment . This Applications Engineering Note (AEN 135) explains and recommends standard measurement methods for characterizing optical fiber system performance. This note also provides background information on system link configurations, test equipment and system component considerations that influence. After connectors are added to a cable, testing must include the loss of the fiber in the cable plus the loss of the connectors.



Fiber Optic Patch Cord Load Testing Methods



Testing The Patch Cord

To find out the performance of the patch cable, professional testing equipment is a must. We use the Fluke, network analyzer, like DSX-8000 to make sure high performance meets the transmission

[Contact Us](#)

The FOA Reference For Fiber Optics

Recommended reading: 5 Ways to test a fiber optic cable, 3 different ways to set a "0 dB" reference Testing cables with different types of connectors Accurately Testing

[Contact Us](#)



How To Test Fiber Optic Cable: Best Testing Methods

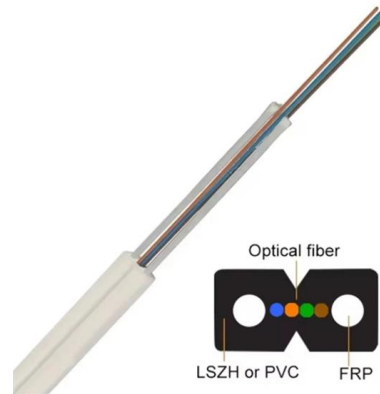
Learn how to test fiber optic cable across every location and get best practices to simplify your next fiber test in this guide by TailWind.

[Contact Us](#)

How to Test Patch Cords and Fiber Jumpers

And when it comes to fiber jumpers, testing is like testing any fiber optic cable using an optical loss test set (OLTS) like Fluke Networks' CertiFiber

[Contact Us](#)



The Complete Guide to Fiber Testing for Continuity: Methods and Tools

Fiber optic continuity testing is vital for verifying cable integrity, and preventing data transmission issues caused by breaks or blockages. The three main methods for fiber optic testing

[Contact Us](#)



Everything you need to know about Fiber Optic Testing

Fiber Optic Tutorial presented by LANshack . Learn about fiber optic basics, fiber, jargon, cable, termination, network, estimation, testing, training, and glossary.

[Contact Us](#)



Fiber Optic System Testing Tutorial

Patch cords or equipment jumpers are used to bridge the network electronic ports to the fiber optic link contained between patch panels (also known as "cross-connects"). Figure 1 below

[Contact Us](#)





How to Test Fiber Optic Patch Cords , FIBEYE

Fiber optic patch cords are crucial components for optical communication systems. To ensure their performance and reliability, it's essential to conduct various tests, including:

[Contact Us](#)



Fiber Optic Cable Testing 101: Tools, Techniques, and

In this article, we explore why fiber optic cable testing is essential, delve into three key testing methods, and explain how to determine the best

[Contact Us](#)

How to Test Fiber Patch Cord - 4 Game-Changing Methods!

#techinsider #productionline #fibercable #crxconec Discover how to test your fiber patch cord using four game-changing methods that will ensure high quality

[Contact Us](#)



Complete Guide to MTP/MPO Fiber Optic Cable Tests

To ensure optimal performance of MTP/MPO cabling system, it is necessary to test MTP/MPO cables. This article will focus on the standards and

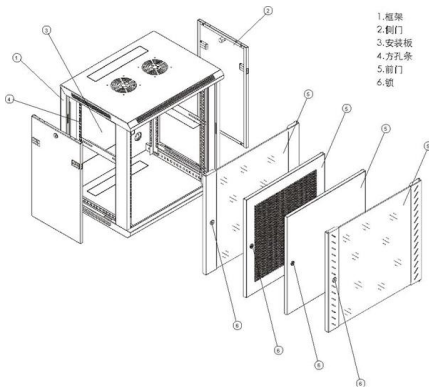
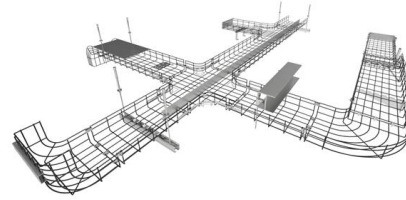
[Contact Us](#)

Fiber Optic Patch Cord Performance Testing



This article dives into advanced testing methodologies -- polarity testing, IL/RL measurement (via OLTS, OTDR, OFDR), 3D endface metrology,

[Contact Us](#)



The FOA Reference For Fiber Optics

Fiber Optic Testing Testing is used to evaluate the performance of fiber optic components, cable plants and systems. As the components like fiber, connectors,

[Contact Us](#)

Complete Guide to MTP/MPO Fiber Optic Cable Tests

Before testing, it is necessary to determine the standards to be followed for fiber optic cables, which facilitates performance measurement of

[Contact Us](#)



Fiber Optic Cable Testing Methods ,Fluke Networks

Effective fiber testing utilizes advanced tools such as Optical Loss Test Sets (OLTS), Optical Time-Domain Reflectometers (OTDR), and Visual Fault Locators (VFL) to diagnose and correct issues,

[Contact Us](#)

MTP/MPO Fiber Optic Cable Testing For Complete



The continuous advancement of technology indicates that the methods and equipment for optical fiber testing will undergo continuous optimization and

[Contact Us](#)



What's test Standards For Fiber Patch Cord?

These standards define the core diameter, cladding dimensions, tensile strength, and operating temperature range (e.g., -40°C to $+80^{\circ}\text{C}$) of fiber optic patch cables.

[Contact Us](#)



The FOA Reference For Fiber Optics

Note: FOTP-171 includes dozens of test methods that cover all types of test situations, different modal conditioning, types of connectors, hybrid cables, etc.

[Contact Us](#)



Fiber Optic Cable Testing 101: Tools, Techniques, and

Fiber Optic Cable Testing Ensures network reliability by using tools like visible light sources, power meters, and OTDRs to measure signal loss,

[Contact Us](#)



Hier sollte eine Beschreibung angezeigt werden, diese Seite lässt dies jedoch nicht zu.

[Contact Us](#)



How to Test a Fiber Optic Cable: Best Methods & Tools

Want to know how to test a fiber optic cable? We'll look at the most common fiber testing methods and how to use them properly.

[Contact Us](#)

Fiber Testing best Practices

With the introduction of low loss fiber optic components such as Lc/MPO cassettes, loss budgets (test limits) are becoming increasingly smaller. as a result, installers are finding out that previous methods



[Contact Us](#)

FOA Fiber U Quickstart Guide: Fiber Optic Testing

Fiber Optic Testing This is your "QuickStart" guide to testing fiber optic cable plants, patchcords and communications equipment with a fiber optic light source and

[Contact Us](#)





The FOA Reference For Fiber Optics

See the Test section of the FOA Online Guide for much more detail. After fiber optic cables are installed, spliced and terminated, they must be tested. For every fiber

[Contact Us](#)



Demystifying Fiber Test Methods - Back to Basics

Fiber Optic Cable Testing Methods Fiber optic networks are the backbone of modern telecommunications, providing high-speed data transmission over long distances with minimal loss.

[Contact Us](#)



Fiber Testing , Fiber Optic Cable Testing Methods & Top

Learn essential testing methods, get help from fiber experts, and demo the industry's most complete range of fiber testers, including VFL fiber testers.

[Contact Us](#)



The Professional's Guide to Fiber Optic Testing:

Troubleshooting fiber optic issues? This guide covers testing techniques, interpretation of results, and the right tools for every scenario.

[Contact Us](#)





Fiber Optic Testing Standards

Introduction The Contractor tasked to perform testing or splicing on any fiber optic cable will follow these testing standards to fulfill their contractual obligations. The Contractor must utilize the correct

[Contact Us](#)



The FOA Reference For Fiber Optics

Recommended reading: 5 Ways to test a fiber optic cable, 3 different ways to set a "0 dB" reference Testing cables with different types of connectors Accurately Testing Fiber Optic Cables The Math of

[Contact Us](#)



Contact Us

For datasheets, pricing, or custom fiber access solutions, please visit:
<https://frindel.es>