



# Fiber Optic Ceramic Flange Special Adhesive





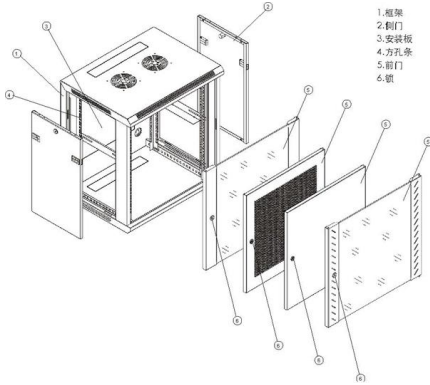
## Overview

---

To secure fibre-optic cables, fibre arrays and waveguides, Hoenle has developed special adhesives that can allow an unimpeded transmission of light at optical interfaces. To maintain their light transmission properties, they do not yellow or otherwise change in colour with age. The adhesives used to polish these ferrules aren't just a side note—they're a fundamental element for ensuring smooth surfaces, minimal signal loss, and robust physical bonds. Adhesives play a pivotal role in the assembly of fiber optic components due to their high performance on glass, metal, ceramic and most plastic substrates, excellent chemical and solvent resistance, and electrically insulating properties.



## Fiber Optic Ceramic Flange Special Adhesive



### Adhesive Applications in Fibre Optics

The table below lists a selection of adhesives that are suitable for joining, reinforcing and sealing fibre cables, fibre-chip interfaces and fibre arrays. Further products and custom solutions are available on

[Contact Us](#)

### ceramic ferrule fiber optic ferrules

Fiber Optic Ferrules our ceramic machining technologies produce high-precision connector components for fiber optic communications systems, available both with custom and

[Contact Us](#)



### Ceramic Ferrules for Fiber Optic Connectors

Precision allows ceramic ferrules to accurately align with optical fiber, minimizing back reflection and signal loss in communication systems, for maximum

[Contact Us](#)

### Microsoft Word

While their structural bonding properties are inadequate for most fiber optic assemblies (as they do not adhere well to glass and have poor high temperature resistance), these adhesives excel at

[Contact Us](#)



### **Panduit® OptiCam® FSCMBL Field Polished Fiber Optic Connector,**

SC field polish connectors are TIA/EIA-604 FOCIS-3 compliant. SC simplex and duplex connectors are field terminable. The fibers shall terminate in 2.5mm ceramic ferrules with non-optical disconnect

[Contact Us](#)



### **Polishing Best Practices**

What is fiber optic connector polishing? Fiber optic connector polishing is a very critical step after connectorization that utilizes an epoxy termination technique. Polishing finalizes the connector

[Contact Us](#)



### **Adhesives for Fiber Optic Assembly**

Adhesives play a pivotal role in the assembly of fiber optic components due to their high performance on glass, metal, ceramic and most plastic substrates, excellent chemical and solvent resistance, and

[Contact Us](#)



## Fiber Coupler, ST / ST, Ceramic Alignment Sleeve, Flange

L-com's simplex metal ST couplers are designed for mounting in rectangular holes used for simplex SC couplers. This series features either bronze or ceramic

[Contact Us](#)



## How to Select the Best Fiber Optic Adhesives for Your Project

How to Select the Best Fiber Optic Adhesives for Your Project Fiber optic adhesives play a crucial role in the success of fiber optic projects. These adhesives are used to create a strong bond

[Contact Us](#)

## Ceramic adhesive for high-temperature applications

FiberPlast is the reliable solution for connecting high-temperature materials. It can be used to bond or coat ceramic fibre-based parts.

[Contact Us](#)



## Fiber Optic Adhesives

The range of specialised adhesives plays a critical role in the field of fiber optics connectors, photonics, sensors and telecommunication devices due to its ability

[Contact Us](#)



### Best Practices for Preparing and Dispensing Epoxy

In Part 1 of "Bonding Optical Fiber to the Ceramic Ferrule", we discuss preparing and dispensing epoxy, a critical step in the assembly process. Read here.

[Contact Us](#)



### Adhesives for Fiber Optic Applications , MasterBond

Master Bond offers an extensive line of epoxies and UV curing systems for use in fiber optics devices. These products provide superior bonding strength and

[Contact Us](#)

### Special ceramics in optical fiber communication systems: ceramic

In fiber optic communication systems, there is a precision component made of special ceramics that plays a significant role, which is the ceramic plug. It is the most commonly used and numerous



[Contact Us](#)



### FIBER OPTIC -- NextGen Adhesives , Fiber Optic,

NextGen Adhesives offers an extensive line of fiber optic adhesive technologies and a premier supplier for transceiver assembly and FTTH. Fiber optic applications

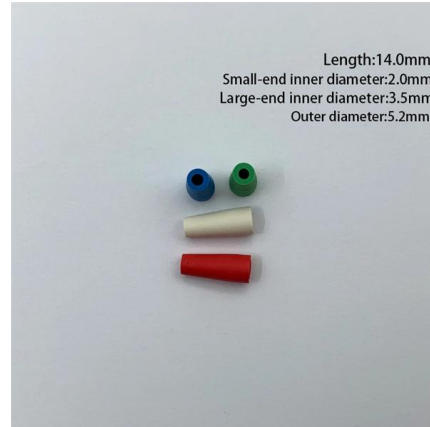
[Contact Us](#)



## Adhesives for Fiber Optics Assembly: Making the Right

Adhesives for fiber optic components that perform well on glass, metal, ceramic and most plastic substrates provide excellent chemical and solvent resistance. They

[Contact Us](#)



## Fiber Optic Epoxy Adhesive , Epoxy International

AA-BOND F112 is a fast cure, low viscosity, fiber optic epoxy adhesive formulation for bonding fiber optic bundles, potting glass fibers, and terminating fiber optic

[Contact Us](#)



## Microsoft Word

Thus, a fiber optic epoxy is a two-part structural adhesive that bonds the fiber glass silica to the zirconia ceramic ferrule. It has low outgassing levels, a high glass transition temperature ( $T_g$ ) and shrinks

[Contact Us](#)



## Fiber Optic Connectors & Ceramic Ferrules , SC, LC, FC, ST, MPO

High-precision Fiber Optic Connectors and Zirconia Ceramic Ferrules for superior network termination. Shop widely used types (SC, LC, FC, ST) and termination kits suitable for Single-mode and Multi

[Contact Us](#)





### Fiber optic adhesives glue for fiber optic cable assembly

How adhesives have helped develop the fiber optics field In fiber optics, specialized adhesives are very important in connectors,

[Contact Us](#)



### Fiber Optic Epoxy and Adhesive Materials

Explore our IN-STOCK epoxy and adhesive materials for fiber optic components from top brands like Covestro, Dymax, Epo-Tek, Herson and Hysol. Shop Now.

[Contact Us](#)



### Ceramic Ferrules / Sleeves , Ceramics for Optical

Ceramic ferrules and sleeves are often used in optical connectors, attenuators, fiber stubs, and other optoelectronics requiring low signal loss. Kyocera's extrusion

[Contact Us](#)



### Adhesives for Fiber Optic Applications , MasterBond

These products provide superior bonding strength and excellent optical clarity. Master Bond's adhesives contain no potentially objectionable contaminants and

[Contact Us](#)





**1166-D02**

The optical fiber needs to be trimmed and stripped so that approximately 10 mm of stripped fiber protrudes from both fiber optic connectors. The total length of the optical fiber must also be controlled

[Contact Us](#)



### **Fiber Optic Bonding Epoxy Adhesive Glue Manufacturer**

DeepMaterial Is Fiber Optic Bonding Epoxy Adhesive Glue Manufacturer In China, Manufacturing Best Epoxy Adhesives Glue For Fiber Optics Assembly, Hot

[Contact Us](#)

### **Product Applications**

Atom Adhesives AA-BOND F253 High Temp Epoxy Adhesive, Low Visc, 2 Part, Fiber Optic Connectors Compare Quick view Atom Adhesives AA-BOND F112

[Contact Us](#)



### **Polishing Adhesives for Fiber Optic Ferrules: 7 Key Lessons for**

Explore polishing adhesives for fiber optic ceramic ferrules. Learn adhesive types, curing, surface quality, and standards for top optical performance in 2026.

[Contact Us](#)



## Stainless Steel and Ceramic Fiber Optic Ferrules

Stainless Steel Ferrules with  $\text{Ø}127 \mu\text{m}$  -  $\text{Ø}440 \mu\text{m}$   
Bores Ceramic Ferrules Available with Nickel  
Plated Brass Flange Contact Tech Support for  
Custom Ferrule Length or Bore Size Thorlabs  
offers  $\text{Ø}1.25$

[Contact Us](#)



## Contact Us

---

For datasheets, pricing, or custom fiber access solutions, please visit:  
<https://frindel.es>