

# Fiber Optic Cable Reel Rules





## Overview

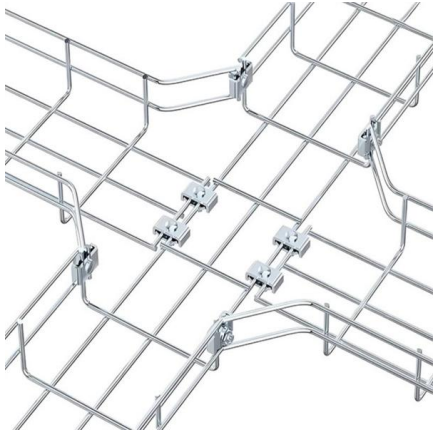
---

This Applications Engineering Note (AE Note) addresses common issues regarding cable pay-off during outside plant installations known as cable squirting, cable tangling during payoff, and reel storage. Recommendations for Fiber Optic Cable Installation Where reels are supplied with protective material fitted over the cable, the protection should remain in place until the cable will be installed. The rotary joints are protected inside the drum for durability and seamless deployment of single or multi-channel fiber optic and/or electrical cable with uninterrupted optical and/or electrical signal. A check list is also provided to cover these plus other issues that are related to placing cable. The reel's structural components consist of two flanges, central drum, flange bolts, SmartReel™ test connector and horizontal wood slats (Figure 1) that keep the reel in alignment and protect the fiber cable from any damage that may occur during transporting and storage.



## Fiber Optic Cable Reel Rules

---



### Fiber Optic Cable Repair Cost Guide 2026 - LatestCost - Real-Time

Buyers typically see repair costs driven by cable type, damage location, and access challenges. The cost to fix a fiber line often hinges on the fault type, distance, and response time,

[Contact Us](#)



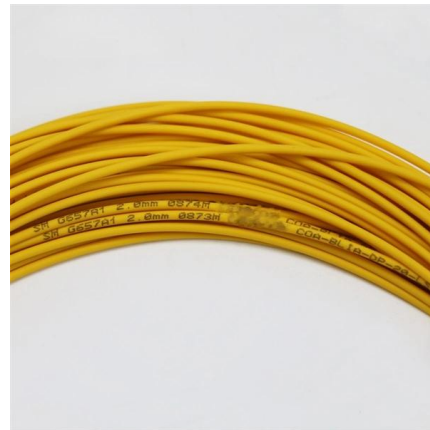
### Fiber Optic Cable Reel User Manual

The FCR-1000 series cable reels are designed to fit Princetel's standard FORJs and slip rings. The rotary joints are protected inside the drum for durability and seamless deployment of single or multi

### Optical Fiber Cable Installation Guideline

Recommendations for Fiber Optic Cable Installation. Where reels are supplied with protective material fitted over the cable, the protection should remain in place until the cable will be installed. During

[Contact Us](#)



### 1.0 Fiber cable reel

5.1 The fiber optic fiber reel should be stored in its upright position in an area with a flat, solid surface during storage. Do not store the cable reel on its side against one of the flanges,

[Contact Us](#)



### How to Import Fiber Optic Cables from China: 2025 Buyer's Guide

Planning to import fiber optic cables from China? Here is the ultimate guide on finding reliable factories, avoiding quality traps, and handling logistics.

[Contact Us](#)

### 5 Mistakes to Avoid When Pulling Fiber Optic Cables Through Conduit

Planning a network deployment? Discover the 5 most common mistakes when pulling fiber optic cables through conduit and learn how to prevent costly damage.

[Contact Us](#)



### Fiber Testing Standards 2025 Guide for IEC and TIA

Fiber Testing Standards Overview IEC, TIA, and FOA Standards You need to understand the main fiber testing standards before you start any project.

[Contact Us](#)



## Optical Fiber , Optical Fiber Products , Corning

Optical fiber broadband brings together a culture of innovation, quality, and manufacturing excellence to create life-changing products.

[Contact Us](#)



## Cable Placing Checklist and Handling: Squirting, Tangling

This Applications Engineering Note (AE Note) addresses common issues regarding cable pay-off during outside plant installations known as cable squirting, cable tangling during payoff, and

[Contact Us](#)

## Double Jacket Fiber Optic Cable: When Should You Use It?

Double jacket fiber optic cable should be used when the project has a real environmental transition or protection challenge: outdoor-to-indoor routing, direct burial, rodent exposure, or higher

[Contact Us](#)



## Home

From real-time sensors on the factory floor to office monitoring and control, a properly designed Industrial network must deliver serious productivity and

[Contact Us](#)





## Several Steps For On-site Cable Reel Testing

During the on-site inspection of optical cables, the fiber attenuation constant and fiber length should be tested, and cracks and non-uniformity along

[Contact Us](#)



## Fiber-optic drones for Iran: how Putin's plan against the US reveals a

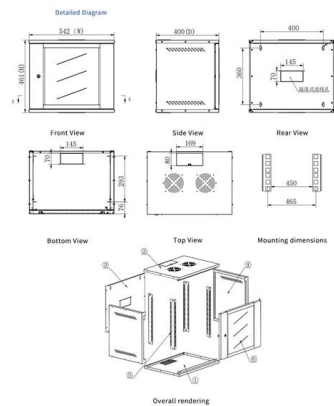
The main feature of these drones is fiber-optic control. Such devices are connected to the operator not by a radio channel, but by a physical fiber-optic cable. This sharply reduces the

[Contact Us](#)

## GENERAL INFORMATION

When moving cable reels, care should be taken to insure that material handling equipment does not come in contact with cable surfaces or with protective covering on the reel. Under no circumstances

[Contact Us](#)



## Unraveling the World of Fiber Optic Cable Reels: A High

Q: What can I do to ensure that my fiber optic cable reel is preserved properly and used for a longer period of time? A: When not in use, protect your

[Contact Us](#)



## Fiber Optic Cable Reels , Micropol

Discover Micropol's sturdy cable reels designed for diverse applications. Find dependable solutions for your cable management requirements.

[Contact Us](#)



## Standard for Installing and Testing Fiber Optics

Unless directed by the owner or other agency that unused cables are reserved for future use, remove abandoned optical fiber cable (cable that is not terminated at equipment other than a connector and

[Contact Us](#)



## Underground Installation of Optic Fiber Cable Placing

Placing cables underground has the added benefits of reducing transmission losses, aiding planning consent and reduced risk of service supply loss through extreme weather. This practice covers the

[Contact Us](#)



## AFL

AFL is a leading provider of fiber optic solutions for broadband networks, data centers, energy infrastructure, and other applications. We offer a wide range of

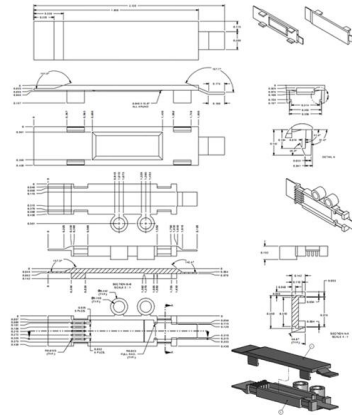
[Contact Us](#)



## New SCTE Microcredential Validates Fiber Optic Cable Blowing Skills

A new SCTE microcredential and PNM training series deliver industry-validated skills for fiber installation and proactive network troubleshooting.

[Contact Us](#)



## Submarine Cable Map

TeleGeography's comprehensive and regularly updated interactive map of the world's major submarine cable systems and landing stations.

[Contact Us](#)

## Structured Cabling Solutions

ICC is a structured cabling solutions manufacturer of copper & fiber optic connectivity products for commercial & residential applications.

[Contact Us](#)



## Understand proper Cable Spooling and Unspooling

Let's dive into the best practices for handling fiber optic cable spools! Getting this right from the start prevents a world of headaches, like hidden fiber damage and frustrating tangles.

[Contact Us](#)



## Contact Us

---

For datasheets, pricing, or custom fiber access solutions, please visit:  
<https://frindel.es>