



FRINDEL OPTICS

Fiber Optic Cable Protection and Binding

Pre-Terminated Patch Panel



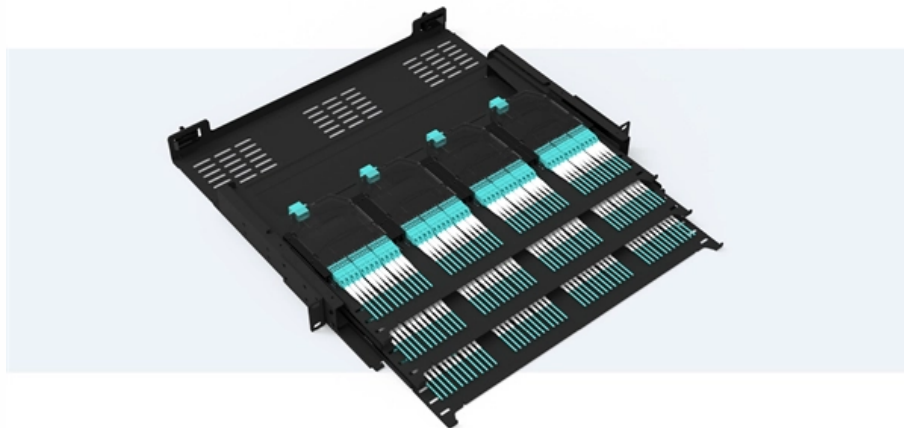
Standard 19" width



Max 144 fibers in 1U



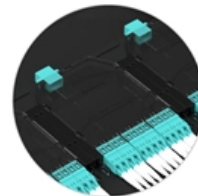
Ultra-High Density Ready



Dual-rail, easy install & maintain



Lightweight ABS MPO cassette



Premium sheet metal with matte coating





Fiber Optic Cable Protection and Binding



Online Bulk Cable Company , CableWholesale

As a premier online bulk cable company, CableWholesale carries a large inventory of computer cables, USB, HDMI, fiber optic, VGA cables, and more. Shop now!

[Contact Us](#)

high adjective

Definition of high adjective in Oxford Advanced American Dictionary. Meaning, pronunciation, picture, example sentences, grammar, usage notes, synonyms and more.

[Contact Us](#)



Fiber Optic Cable Securement: Best Practices for Manufacturers

Partner with us to build robust, future-proof fiber optic systems. Contact Incure today to discuss your fiber optic securement challenges and discover how our adhesive solutions can

[Contact Us](#)

Fiber Optic Cable Management

Shop our huge range of fiber optic cable management components at Essentra Components US. With fiber optic clamps, fiber optic holders and fiber optic cable support available.





**Trusted Fiber Optic Supplier Within Reach!
Just email**

FOR YOUR INQUIRIES: email: jill@fibershoppe
rhodora@fibershoppe We Supply The Following:
FIBER PATCHCORDS / MTP/MPO TRUNK CABLE

[Contact Us](#)



Indoor Fiber Optic Bonding & Grounding

Bonding and grounding is required for the safe and effective dissipation of unwanted electrical current that may arise in a telecommunications system. Bonding and grounding promotes

[Contact Us](#)



**Passives , Electronic Components
Distributor , LCSC Electronics**

Explore our range of Passives products at LCSC Electronics. More choices from Asian Domestic Alternatives included.

[Contact Us](#)





KODA (4827)..!! The British Indian Ocean Territory (BIOT) is an

In July 2023, Reuters confirmed an underwater fiber-optic cable was constructed to Diego Garcia, finished in 2022. Diego Garcia is an island of the British Indian Ocean Territory, a disputed overseas

[Contact Us](#)



Electronic Components and Parts Search , LCSC Electronics

Explore LCSC Electronics' wide selection of electronic components. Search inventory, pricing, and datasheets now to find the right component for your project.

[Contact Us](#)

Fiber Optic Security System , Future Fibre Technologies

Future Fibre Technologies: Leaders in Intrusion Detection and Fiber Security Technology Future Fibre Technologies offers a comprehensive range of fibre optic intrusion detection and sensing solutions



[Contact Us](#)



How to Protect Fiber Optic Cables - A Beginner's Guide

Fiber optic cables are widely used in modern optical networks, and knowing how to protect fiber optic cables is a basic but often overlooked part of daily operation. They connect optical

[Contact Us](#)

Optical Cable Corporation Networks that Mean Business High-performance networks are essential to business, including manufacturing, transportation, education,

[Contact Us](#)



RiteAV Ultra Spec Cables 12 Port Wall Mount Fiber Enclosure with

Brand: Ultra Spec Cables Color: Aqua Splice
Features: Protect and organize fiber connections
Compact Size is perfect for use in cabinets, closets and anywhere space is limited Can be mounted vertically

[Contact Us](#)



Distributed Fiber Optic Sensing Solutions , AP

We create the most compelling fiber optic sensing solutions, empowering the world optimize assets, protect lives and the environment.

[Contact Us](#)



How to Install Fiber Optic Cable: A Comprehensive Guide

Learn how to install fiber optic cable with Network Drops' easy step-by-step guide. Follow the process for quick and effective results.

[Contact Us](#)





How to Protect Fiber Optic Cable Outside: A Complete

Protecting them is essential for long-term reliability. This guide covers how to safeguard outdoor fiber optics across underground, aerial, direct-burial,

[Contact Us](#)



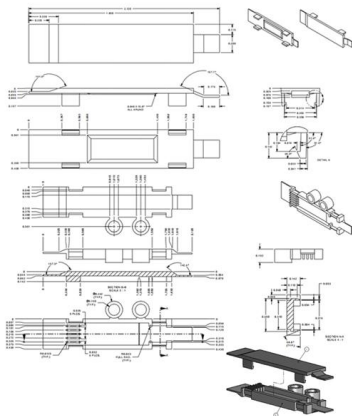
Protecting Fiber Optic Cables: A Comprehensive Guide to Ensuring

Protecting fiber optic cables requires a multi-faceted approach that includes the use of protective materials, careful installation practices, and ongoing maintenance. The development of

[Contact Us](#)

How to Choose: Integrated Circuits (ICs) Selection Guide. IC selection begins with defining the function you need, then narrowing by electrical specifications, package, and cost.

[Contact Us](#)



For protecting optical fiber cable ?2mm HWPE2 (161

Helawrap is ideally suited for bundling and protecting cables for vibrating parts

[Contact Us](#)



Fibre-Optic Cable-Delend Tapes

Our materials have been proven to protect fibre optic cables across a range of designs and environments. You can trust our durable water blocking tapes, high-performance adhesives, and

[Contact Us](#)



Undersea cables are the unseen backbone of the global

Undersea cables, also known as submarine communications cables, are fiber-optic cables laid on the ocean floor and used to transmit data between

[Contact Us](#)



Gate Drivers , Electronic Components Distributor , LCSC Electronics

Discover Gate Drivers products in Integrated Circuits (ICs)/Power Management (PMIC) at LCSC Electronics. More choices from Asian Domestic Alternatives included.

[Contact Us](#)



Optical ground wire

An optical ground wire (also known as an OPGW or, in the IEEE standard, an optical fiber composite overhead ground wire) is a type of cable that is used in overhead power lines.

[Contact Us](#)

Underground Fiber Optic Cable Installation:

Explore the process and benefits of underground fiber optic cable installation. Learn how this



infrastructure investment can elevate your internet

[Contact Us](#)



Fiber Optic Cable Assemblies & Custom Fiber Solutions

iFiber Optix manufactures high-quality fiber optic cable assemblies, custom fiber solutions, and patch cables. BABA & TAA compliant. Fast turnaround, precision

[Contact Us](#)



Safeguarding Subsea Cables: Protecting Cyber Infrastructure amid

Subsea fiber-optic cables, a critical information and telecommunications technology (ICT) infrastructure carrying more than 95 percent of international data, are becoming a highly

[Contact Us](#)



ADI , Electronic Components Distributor , LCSC

ADI Products are available at LCSC Electronics. LCSC offers inventory, pricing, & datasheets for ADI Products.

[Contact Us](#)

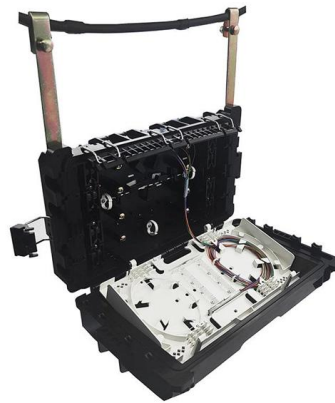


Water Blocking Binder Yarn in Fiber Optic



If you've ever wondered how fiber optic cables keep your internet blazing fast--even when buried underground or strung across

[Contact Us](#)



All-dielectric self-supporting cable

All-dielectric self-supporting cable All-dielectric self-supporting (ADSS) cable is a type of optical fiber cable that is strong enough to support itself between structures without using conductive metal

[Contact Us](#)



Contact Us

For datasheets, pricing, or custom fiber access solutions, please visit:
<https://frindel.es>