

# Fiber Optic Cable Joint Protection Well





## Fiber Optic Cable Joint Protection Well

---



### How to Protect Fiber Optic Cable Outside: A Complete

Protecting them is essential for long-term reliability. This guide covers how to safeguard outdoor fiber optics across underground, aerial, direct-burial,

[Contact Us](#)

### The FOA Reference For Fiber Optics

Splices are considered permanent joints and are used for joining most outside plant cables. Fusion splicing is most widely used as it provides for the lowest loss and

[Contact Us](#)



### Optical Fiber Cable Installation Guideline

While fiber optic cables are typically stronger than copper cables, it is still important that the cable maximum pulling tension not be exceeded during any phase of cable installation.

[Contact Us](#)

### Outdoor Fiber Optic Joint Protection 2025 - Topfiberbox

Outdoor fiber joint protection prevents outages, saves money, and ensures reliable network performance in any weather for everyone.

[Contact Us](#)



### **48 Cores Fiber Optic Joint Closure, Fiber Splice Closure**

Overview YFSC-T48A Fiber Splice Closure, also known as Fiber Optic Joint Closure, is a 2 inlet port, 2 outlet port mechanically sealed Horizontal Type Fiber Splice Closure, suitable for overhead and

[Contact Us](#)

### **The FOA Reference For Fiber Optics -Outside Plant**

Typically, optical fiber cables do not carry electrical power, but the metallic components of a conductive cable are capable of transmitting current. When the

[Contact Us](#)



### **Outdoor Fiber Optic Joint Protection 2025 - Topfiberbox**

Products like the Topfiberbox enclosure help keep your connection safe in all kinds of weather. Use strong, weatherproof enclosures to protect

[Contact Us](#)





### **Optical fiber cable joint closure, FOSC-6J (144)**

Optical fiber cable joint closure FOSC-6J (144), also called fiber optic splice closure, is a box designed to provide space and protection for fiber optic cables spliced

[Contact Us](#)



### **Fiber Optic Joint Enclosure Box , Splice Protection Unit**

Fiber optic joint enclosure box protects splices in underground, aerial, or wall-mounted fiber optic installations with secure, weatherproof sealing.

[Contact Us](#)

### **Fiber Splicing Methods and Protection with Splice Closures**

Fiber optic cable splicing is the process of joining two fibers end-to-end to create a continuous optical path. In PON and FTTH networks (e.g., FTTH,

[Contact Us](#)



### **External Fibre Closures , Prysmian**

Prysmian offers a wide range of closures and joints to provide safe and efficient connection and storage of optical fibres in the outside plant.

[Contact Us](#)



## Optical Fiber Jointing Methods

The document discusses methods for joining optical fibers, including fusion splicing and mechanical splicing. Proper preparation of the fiber ends is important for both

[Contact Us](#)



## Top 5 Waterproof Joint Boxes for Fiber Optic

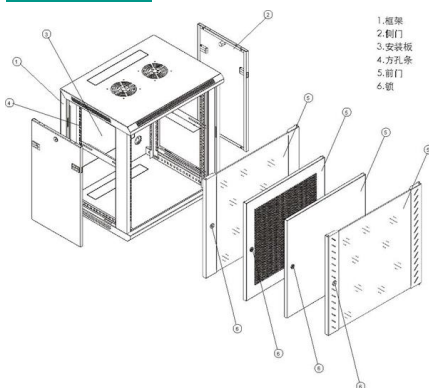
Discover the top 5 waterproof joint boxes for fiber optic communication. Ensure reliable protection and seamless connectivity in your network.

[Contact Us](#)

## Outdoor Fiber Optical Joint Enclosure , 1enclose BV

Designed to be effortlessly closed and resealed in around two minutes, and without any specialist equipment, the unit offers continual protection. The integrity of the structure will not weaken after

[Contact Us](#)



## Dome Fiber Closure Outdoor Cable Joint Box

The closures are made of tough anti-corrosive Polycarbonate that makes the closures ideal for aerial, cable duct, direct burial and well applications. The Dome Fiber Closure employ gasket

[Contact Us](#)

## OPGW Joint box protects fiber optic cable joints



The OPGW joint box offers protection to the optic cable joints. The enclosure box is majorly used for aerial and strand-mount locations. It is the most popular OPGW joint box.

[Contact Us](#)



### How to Use Fiber Optic Splice Closures for Maximum

You use fiber optic networks for quick and steady communication. A Fiber Optic Splice Closure keeps your fiber safe from water, dirt, and damage. If

[Contact Us](#)

### How to Protect Fiber Optic Cables: A Guide for Engineers

Learn some of the most effective ways to protect fiber optic cables from physical damage, environmental factors, and signal degradation in telecommunications engineering.

[Contact Us](#)



### Fiber Optic Splice Enclosure, Fiber Optic Joint

Fiber joint box provides space and protection for the fiber optic cable splicing and joint. Fiber splice enclosure box is used for aerial, strand-mount FTTH "tap"

[Contact Us](#)





## Fiber Splice Joint Closures: Everything You Need to Know

Fiber splice joint closures are key in fiber optic networks. They protect and keep spliced fiber optic cables in good shape. Knowing what a fiber splice closure is helps us see its vital role in keeping

[Contact Us](#)



## FOA Standard For Installing Fiber Optic Cable Plants

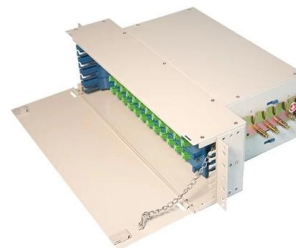
Backbone cables typically contain larger numbers of fibers than horizontal fiber optic cables and may contain singlemode fibers as well as multimode fibers. Conversion from optical to electrical signals is

[Contact Us](#)

## Drop Cable Fiber Optic Patchcord Joint Protection Fiber

Drop Cable Fiber Optic Patchcord Joint Protection Fiber Heat Shrink Sleeves is a special polyolefin thermal-shrinkable sleeve, also called EVA. The outer layer is

[Contact Us](#)



## Cable Protection & Well Completion :: Products :: Slingco

For any tubing size, specialty string diameter, combination of lines run or casing being used, our cable clamps provide protection at cross couplings, mid joint, or

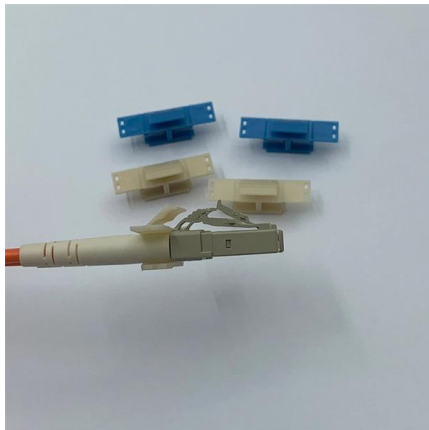
[Contact Us](#)



## Fiber Optic Cable Crush Protection Solutions and Tips

Fiber crush protection keeps fiber optic cables safe from damage, costly repairs, and signal loss. Guards and installation tips.

[Contact Us](#)



## Fiber Optic Cable and Splice Closure Solutions , Corning

RocketRibbon® Cable and 2178-XL Closures Our Fiber Optic Splice Closure 2178 family is ideal for our RocketRibbon® and SST-Ribbon(TM) cables. The solution

[Contact Us](#)

## Fiber Optic Joint Enclosure Box , Splice Protection Unit

Unisol Fiber Optic Joint Enclosure Box is a high-performance, rugged solution built to support the protection, organization, and long-term management of fiber optic

[Contact Us](#)



## Dome Joint Box for Optic Fiber Cable

Optical fiber joint box is used for protecting the optical fiber fusion splicing head between two different optical cables; a reserved section of optical fiber will be

[Contact Us](#)





## Contact Us

---

For datasheets, pricing, or custom fiber access solutions, please visit:  
<https://frindel.es>