

Fiber Collimator 1550nm





Fiber Collimator 1550nm



1550nm Single-mode Fiber Optic Collimator Gold-plated

1550nm Single-mode Fiber Optic Collimator Gold-plated Tube Collimator $\varnothing 3.2 \times 10\text{mm}$ Fiber collimator is composed of pigtailed and lenses accurately

[Contact Us](#)

High Power Collimator 1310 and 1550nm

Fiber Collimators Features: Low Insertion Loss & PDL High reliability Power rating: 1, 3, 5, 10, 20W Wavelengths: 1310, 1550nm Applications: EDFA Fiber Optical Instrument Fiber Laser Please contact

[Contact Us](#)



1550nm Single Mode Dual Fiber Collimator / Fiber optic

1550nm Single Mode Dual Fiber Collimator / Fiber optic focuser The 1550nm SM Dual Fiber Collimator is the basic element for in-line fiber optics components,

[Contact Us](#)

Aspheric Lens Fiber Collimator 1550nm 2M Single Fiber SMF 4mm OD

Fiber-MART provide Aspheric Lens Fiber Collimator 1550nm 2M Single Fiber SMF 4mm OD with good price & quality! 100% Tested and Free Shipping! Contact Now!



1310 -1550nm Multimode Single Fiber Collimator

Get a price quote for 1310 -1550nm Multimode Single Fiber Collimator directly from GKER Photonics , Ask questions and find out technical details and specifications.

[Contact Us](#)



1550nm polarization-maintaining fiber collimator (20mm working

1550nm polarization-maintaining fiber collimator (20mm working distance) Idealphotonics' fiber collimators are pre-aligned and used to collimate the light emitted from FC/APC-connected fibers



[Contact Us](#)

1550nm Single Mode Single Fiber Collimator / Fiber optic focuser

1550nm Single Mode Single Fiber Collimator / Fiber optic focuser The 1550nm SM Single Mode Fiber Collimator is the basic element for in-line fiber optics components, such as optical isolator and optical



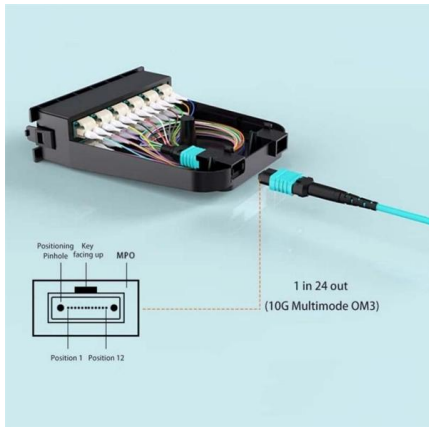
[Contact Us](#)



PM High Power Fiber Collimator 1550 nm

PHOTONICS 1550 nm High Power Polarization Maintaining Fiber Collimator Features High Handling Power High Extinction Ratio Low Insertion Loss High Return Loss Specifications Parameters Center

[Contact Us](#)



Fujikura 99R Mass Fusion Splicer Kit Set for Ribbon Fiber

Go4Fiber Ltd. Welcome My Account My Quote My Cart Checkout Log In Home / Fujikura 99R Mass Fusion Splicer Kit Set for Ribbon Fiber

[Contact Us](#)

1550nm Single Mode Single Fiber Collimator / Fiber optic focuser

The 1550nm SM Single Mode Fiber Collimator is the basic element for in-line fiber optics components, such as optical isolator and optical WDM. It has high low insertion and high return loss. The unique

[Contact Us](#)



Fiber Collimator, Fiber-Optic Collimation and Focusing

LFIBER offers high-quality fiber collimators with a variety of wavelengths, including 450 nm, 460 nm, 630 nm, 632 nm, 650 nm, 780 nm, 850 nm, 980 nm, 1064 nm,

[Contact Us](#)



1550nm SMA collimator NA0.2 focal length 11mm

Product Description Ideal photonics' fiber collimators are pre-aligned to collimate light from FC/APC-connected fibers and have diffraction-limited performance. These fiber collimators have no moving

[Contact Us](#)



LightPath 354220 , 1550nm, SMA Fiber Collimator , Edmund Optics

LightPath ® Optiken zur Kollimation von Faseroptiken können als Paar eingesetzt werden, um Eingangs- und Ausgangslicht von Faseroptiken zu koppeln. Eine optimale Leistung für den

[Contact Us](#)



Fiber Collimator, Fiber-Optic Collimation and Focusing

Optical fiber collimator (2000nm 1550nm 1310nm 1064nm 980nm 850nm 780nm 650nm 632nm 630nm 460nm 450nm fiber-optic collimation and focusing

[Contact Us](#)



1550nm Polarization Maintaining Single Fiber Collimator

Products 1550nm Polarization Maintaining Single Fiber Collimator / Fiber optic focuser The 1550nm PM Fiber Collimator is the basic element for in-line PM fiber

[Contact Us](#)

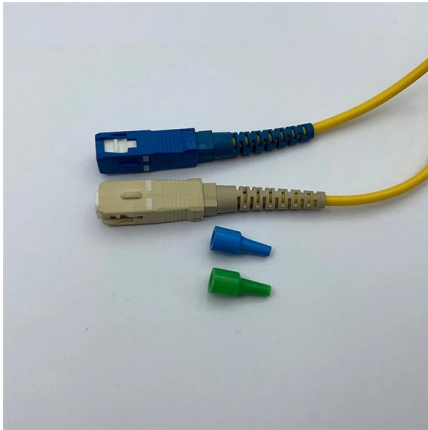
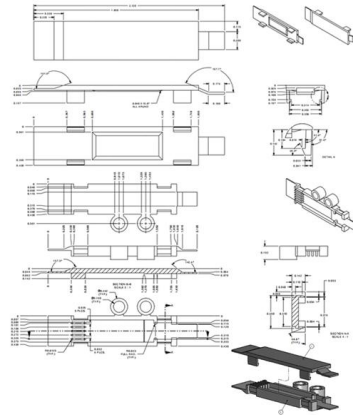
1550nm SMA collimator NA 0.5 focal length



8mm

1550nm SMA collimator NA 0.5 focal length 8mm
Ideal Photonics' fiber collimators are pre-aligned to collimate light from FC/APC connector fibers and have diffraction-limited performance. These fiber

[Contact Us](#)



1310 -1550nm Multimode Single Fiber Collimator

Available in various center wavelengths including 1310 nm and 1550 nm, this collimator offers flexibility for integration into a wide range of optical communication systems, testing equipment, and industrial

[Contact Us](#)

F-C5-F2-1550 Fiber-optic Collimator

The F-C5-F2-1550 Collimator is designed to accept FC type fiber connectors and collimate a 1550 nm beam exiting a single-mode fiber to a 2.0 mm beam.

[Contact Us](#)



LightPath 354220 , 1550nm, FC/PC Fiber Collimator

LightPath 354220 , 1550nm Alignment, 0.25 NA Fiber Collimator w/ FC/PC Connector is used with fiber coupled lasers. Shop now with Edmund Optics!

[Contact Us](#)



High-Power Multimode Fiber Collimator: High Damage Threshold and

High-Power Multimode Fiber Collimators have become key components in high-power optical systems due to their high damage threshold, large-core fiber compatibility, and stable beam output performance.

[Contact Us](#)



Large Beam Collimator (QBH) 1550nm 30W

Optizone Technology has been developing and producing high power laser components since 2007, and has mass-produced Fiber Optical Cable since 2015.

[Contact Us](#)

Fiber Collimator for collimating large beam diameters with integrated

The fiber collimators series 60FC-Q integrates a quarter-wave plate for collimating radiation exiting optical fiber cables. Suitable for single-mode and polarization-maintaining fiber cables, the collimator

[Contact Us](#)



Contact Us

For datasheets, pricing, or custom fiber access solutions, please visit:
<https://frindel.es>