

# FC interface fiber optic





## Overview

---

The FC connector is a fiber-optic connector with a threaded body, which was designed for use in high-vibration environments. The tip is then typically polished to produce a rounded surface, called "physical contact" polish. A fiber optic connector is a mechanical device used to align and join optical fibers, enabling light to pass through with minimal loss. What is an optical fiber patch Cable?

An optical fiber patch Cable is a jumper wire used to connect from equipment to an optical fiber cabling link, and it is usually used for the connection between an optical transceiver and a terminal box.



## FC interface fiber optic

---



### Fiber Connector Types: A Comprehensive Guide 2025

Discover the common fiber connector types. Learn the differences, uses, and best practices for SC, LC, ST, FC, MPO/MTP connectors.

[Contact Us](#)

### Fiber Connector Types: A Complete Guide (2024)

A fiber connector is a precise coupling device to join fiber cables quickly. This guide introduces LC, SC, FC, ST, MPO, CS and many others.

[Contact Us](#)



### Erbium-Doped Fiber Amplifiers (EDFA)

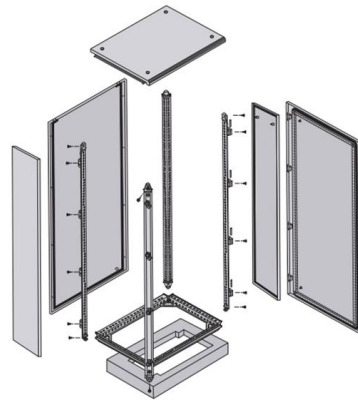
A sacrificial optical interface compatible with FC/APC connectors is also supplied with each unit, which can be plugged into the output port of the amplifier, and all fiber cable connections can be made to

[Contact Us](#)

### Optical Fiber Connectors: FC, SC, ST, LC, and DIN

Explore different types of optical fiber connectors like FC, SC, ST, LC, and DIN, their functions in connecting fiber cables and devices.

[Contact Us](#)



### **YAHHU 5 Pcs Fiber Optic Connector Cleaning Pen for 2.5mm SC ST FC**

Keep your fiber optic connections pristine with the YAHHU Fiber Optic Connector Cleaning Pen. Designed for maximum efficiency, this 5-piece electronics cleaning kit is perfect for maintaining

[Contact Us](#)



### **100Pcs Ceramic Sleeve ST/FC Universal Fiber Optical Adapter Port**

When you click on links to various merchants on this site and make a purchase, this can result in this site earning a commission. Affiliate programs and affiliations include, but are not limited to, the eBay

[Contact Us](#)



### **Detailed Explanation of FC, ST, SC, and LC Fiber-Optic Interfaces**

It is an optical fiber connector that can be configured as duplex, triplex, or quadruplex, and is widely used in local area networks, fiber to the home, and the connection of optical modules in

[Contact Us](#)



### **100Pcs Ceramic Sleeve ST/FC Universal**



### Fiber Optical Adapter Port

100Pcs Ceramic Sleeve ST/FC Universal Fiber Optical Adapter Port Interface m Price: US \$12.69  
SAFE & SECURE SHOPPING 100% SATISFACTION  
GUARANTEED FAST SHIPPING 100Pcs Ceramic

[Contact Us](#)



### 2X Mini Optical Power Meter -M7 OPM Fiber Optical Cable Tester

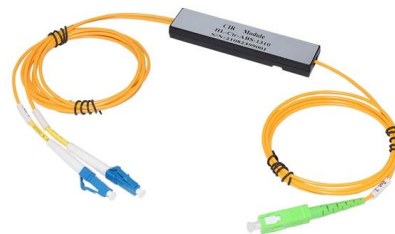
2X Mini Optical Power Meter -M7 OPM Fiber Optical Cable Tester -70DBm-+10DBm SC/FC/ Universal Interface Connector No Ratings Brand: No Brand More Electrical from No Brand

[Contact Us](#)

### Several types of fiber optic interfaces

MPO/MTP interfaces usually have a rectangular housing with multiple fiber optic pins inside. The MPO/MTP interface is suitable for high-density fiber optic connections, such as fiber optic

[Contact Us](#)



### Amazon : Fiber Optic Power Meter

Fiber Optic Cable Tester Portable Optical Fiber Power Meter FC/SC/ST Universal Interface Integrated OPM, VFL, and RJ45 Functions (OPM-VFL-1) 500+ bought in past month Add to cart Optical Fiber

[Contact Us](#)



### HJ Outdoor Fiber Optic Terminal Box Metal Wall Mount Waterproof

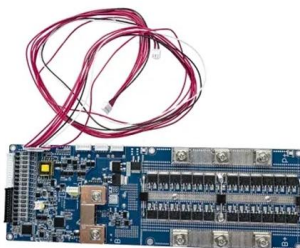
Q: What is this product used for?A: This optical cross-connect box is designed for fiber optic network distribution, cross-connection, and terminal management in outdoor and indoor applications.

[Contact Us](#)



### Fiber Optic Connectors , Products , Amphenol

14.025GB/S TRANSCEIVERS DESIGNED FOR MULTIMODE TRANSMISSION OVER FIBRE CHANNEL Power dissipation of [Contact Us](#)



### FC connector

The FC connector is a fiber-optic connector with a threaded body, which was designed for use in high-vibration environments. It is commonly used with both

[Contact Us](#)



### Detailed Explanation of FC, ST, SC, and LC Fiber-Optic Interfaces

What are the classifications of optical fiber patch Cables? 4.1 AcCabling to different optical fiber connectors, common optical fiber patch Cables can be divided into: FC-FC, FC-ST, SC

[Contact Us](#)





## The Ultimate Guide to FC Connector: Everything You

IEC 61754-13: Fiber optic connector interfaces--Type FC connector 2. TIA-604-4: FOCIS 4 Fiber Optic Connector Intermateability Standard These

[Contact Us](#)



### Optical Transceivers , Fiber Optic Transceivers , Form

Using fiber optic technology, it converts electrical signals from switches or routers into optical signals, transmitted as pulses of light, enabling

[Contact Us](#)

### Fiber Connector Types

However, the widely used types are about a dozen of fiber optic connectors, which can be divided into single-fiber, duplex fiber connectors (such as FC, LC, SC), and multi-fiber connectors

[Contact Us](#)



### Understanding Fiber Connector Types ST SC LC FC

When working with fiber optic technology, you'll frequently encounter terms like SC UPC, LC UPC, SC APC, LC APC, FC APC, and FC UPC. These designations

[Contact Us](#)

### Optical Fiber Termination Types Chart: SC,



## LC, FC, ST Comparison

Compare optical fiber termination types, including SC, LC, FC, and ST. View our chart and learn how to choose the right connector for your network.

[Contact Us](#)



## Fiber Optical Power Meter Fiber Optical Cable Tester

Equipped with SC/FC connectors, this versatile device is compatible with various types of fiber optic cables, ensuring seamless connectivity and easy testing. With its wide measurement range of

[Contact Us](#)

## FC Connector Explained

The FC Connector offers a durable, threaded design for secure fiber optic connections. It is cost-effective and supports high-speed data transmission.

[Contact Us](#)



## Durable FTTH Terminal Box , Fiber Termination

Explore reliable FTTH terminal boxes for secure fiber termination and distribution. Wall-mounted design, robust build, for home and industrial optical networks.

[Contact Us](#)



## KKmoon Optic Fiber Tester Convenient Outstanding Performance

Easy to penetrate 10km optic fiber, outstanding performance. Slider switch design allows you to control the on/off of the red pen as you like. Applicable to SC ST FC interface, more universal fitment. The

[Contact Us](#)



## LC vs SC vs FC vs ST: A Complete Fiber Optic Connector Guide

Compare LC, SC, FC & ST fiber-optic connectors -- size, coupling, and ideal use cases -- to help you choose the best fit for your network setup.

[Contact Us](#)



## Fibre Channel Protocol

Fibre Channel Protocol (FCP) is the SCSI interface protocol utilising an underlying Fibre Channel connection. The Fibre Channel standards define a high-speed data transfer mechanism that can be

[Contact Us](#)



## LC Vs SC Vs FC Vs MPO Fiber Optic Connectors:

Compare LC, SC, FC, ST, MPO & MTP fiber optic connectors with expert insights. Learn which connector fits your data center or enterprise network

[Contact Us](#)

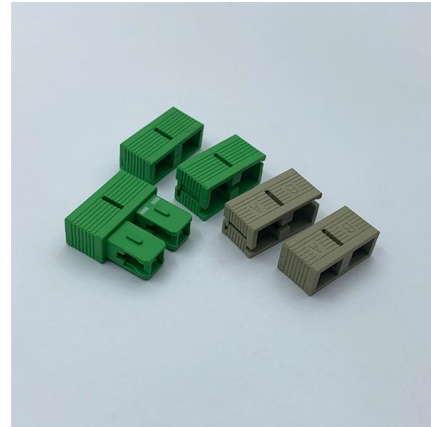




### Amazon : Fiber Optic Tester

Overall Pick Fiber Optic Cable Tester Portable Optical Fiber Power Meter FC/SC/ST Universal Interface Integrated OPM, VFL, and RJ45 Functions (OPM-VFL-1) 500+ bought in past month Add to cart

[Contact Us](#)



## Contact Us

---

For datasheets, pricing, or custom fiber access solutions, please visit:  
<https://frindel.es>