

Embedded dimensions for distribution box installation





Overview

If the distribution box is to be embedded within the wall, the cutout should be approximately 20 millimeters larger than the box's dimensions. ble (from 65 x 65 mm up to 361 x 254 mm) plus 3 different cover heights are available with a smooth surface or with multiple metric te boxes (glow wire tested el of resistance to chemicalIn the civil construction, when the installation height of distribution box or distribution board is reached (the height from the bottom edge of the box to the ground should be 1. They centralise connections to ensure flexibility and that the installation is up to date. Straighten the angle steel, measure the dimensions, mark the cutting lines based on the dimensions, perform bending and cutting, locate the drilling positions, and finally weld it.



Embedded dimensions for distribution box installation



Area distribution boxes with connectors

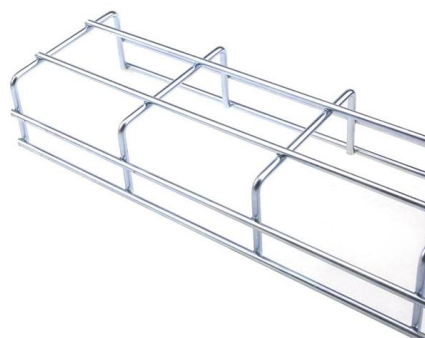
Area boxes can be installed in technical flooring or in false ceilings. Area boxes are offered in Cat. 5e and Cat. 6 and should be selected according to the size of the network.

[Contact Us](#)

The Complete Guide to Distribution Box: Installation, Types & More

High-usage commercial and industrial installations may require more frequent inspections based on operating conditions and manufacturer recommendations. Can I add circuits to an existing

[Contact Us](#)



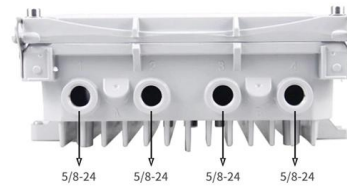
A comprehensive understanding of distribution box

? Introduction Distribution boxes are at the heart of safe and organized electrical systems--whether in residential, commercial, or industrial settings. But

Himel Metal Enclosure Distribution Box Brochure Sep 2023

Metal Clad Distribution Box & IP54 Metal Enclosures Reliable, affordable accessible Metal Clad Distribution Box Product features o Easy installation design with cable entry from top, bottom & back o

[Contact Us](#)



Distribution Boxes Technical Data

If the distribution box is to be embedded within the wall, the cutout should be approximately 20 millimeters larger than the box's dimensions. The depth should match the thickness

[Contact Us](#)

Small distribution box installation steps

The steps to install a small distribution box include selecting a suitable location, installing the base, placing the distribution box, connecting the

[Contact Us](#)



Use Walton DB box of correct size and thickness , Walton Blog

Of course, the electrical box's dimensions have yet to be determined. Consider the real installation, look at the actual wiring schematic, and think about how to wire the first-level switch. How to choose a

[Contact Us](#)



MNS® Low Voltage Distribution Board and Power Cabinet

The elevation, dimensions, structure and embedded pieces of the civil work should conform to design requirements. The doors and windows should be closed, the painting of the walls and the rooftop

[Contact Us](#)



CATALOGUE General purpose enclosures Heavy duty and industrial

Vent (IPx4) Provides ventilation and prevents condensation. Vents should preferably be installed in the upper and lower sections of the box.

[Contact Us](#)



Embedded Installation Of Distribution Box

When the width of the distribution box is more than 500mm, it is required to install concrete lintels on the top of the box during civil construction; when the box width is 300mm or more,

[Contact Us](#)



Comprehensive Guide to the Best Distribution Board Box: Technical

You know, in today's fast-changing electrical industry, it's hard to overstate just how important a reliable Distribution Board Box really is. These boxes are like the brain of electrical

[Contact Us](#)



MNS® Low Voltage Distribution Board and Power Cabinet

In designing the distribution board and power cabinet, ABB drew upon its wealth of experience with low-voltage switchgear and placed a strong emphasis on the product's ease of installation, operations,

[Contact Us](#)



How to choose a distribution box of the right size for a project based

If you're like most electrical professionals, picking the right distribution box for your project can feel like navigating a maze. I've been in those shoes - staring at spec sheets, worrying about

[Contact Us](#)



Requirements And Specifications For Installation Of

In flammable and explosive environments, explosion-proof distribution boxes should be selected and explosion-proof treatment should be carried out.

[Contact Us](#)



Integrated wiring fiber optic distribution box installation tutorial

The optical fiber distribution box allows people to easily access the optical fibers in the box, and can well protect the optical fibers. In addition, the drawer structure also facilitates high

[Contact Us](#)





Embedded Installation Of Distribution Box

When the width of the distribution box is more than 500mm, it is required to install concrete lintels on the top of the box during civil construction; when the box width

[Contact Us](#)



Distribution boards components

Service cable ducts or conduits, surface mounted or in cable chases embedded in the wall Note: to facilitate future modifications to the installation, it is recommended to keep all relevant

[Contact Us](#)



Analysis on the Installation of Assembled Distribution

First, fix the distribution box or panel using an iron frame. Straighten the angle steel, measure the dimensions, mark the cutting lines based on the

[Contact Us](#)



Distribution Boards & Consumer Units

Distribution boards, together with modular ABB system pro M Compact protection devices and Modular Din Rail Components, can be used for many applications in electrical building installation. Solutions

[Contact Us](#)





Electrical Enclosure Sizes: Comprehensive Guide to

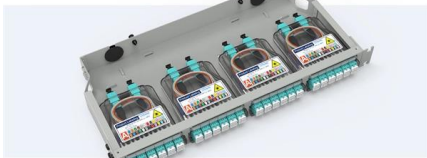
Find the right electrical enclosure size for any project. This guide covers standard sizes, selection tips, ratings, and sizing charts.

[Contact Us](#)



Pre-Terminated Patch Panel

- Multi-application support
- Flexible configuration
- Modular design



Cable Gland Plug
28mm Cable Gland Plug



MPO LC up to 16 cores
MPO direct connector 48 parts



Mounting Bracket
Semi-open mounting holes

"Guidelines for Household Distribution Box Specifications and

For smaller boxes, wooden blocks can be pre-installed at the corners to facilitate mounting with wood screws. Concealed Installation: If the distribution box is to be embedded within

[Contact Us](#)



Fiber Distribution Box

Overview The PPC Fiber Distribution Box is a multi-purpose, robust enclosure made with high-grade industrial plastic. The box can be used as a 16-core splitter enclosure or distribution unit based on

[Contact Us](#)



The installation requirements for the distribution box

Learn how to install a distribution box safely and correctly. Covers wiring, placement, standards, and expert tips for a compliant setup.

[Contact Us](#)



How to Install a Cable Distribution Box Safely and

In modern electrical systems, cable distribution boxes (also known as electrical distribution boxes or distribution boxes) play a crucial role as the key

[Contact Us](#)



Contact Us

For datasheets, pricing, or custom fiber access solutions, please visit:
<https://frindel.es>