

Elevation of distribution box channel steel with reserved dimensions



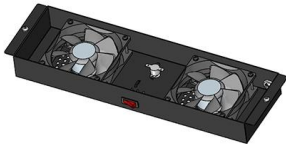


Elevation of distribution box channel steel with reserved dimension

British Channels , Section Sizes

British Channels beam sizes and dimensions for the Steel library.

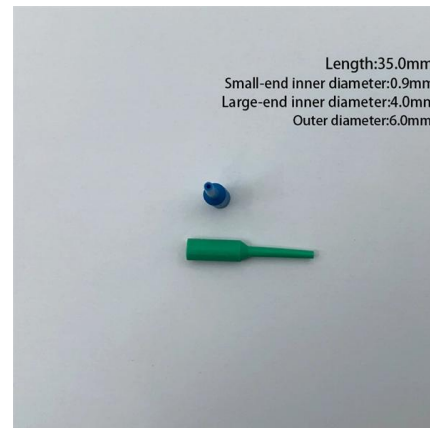
[Contact Us](#)



C Shape CEE Channel Aluminium Profile Upto 600MM Box Channel

C Shape Aluminium C Channel profile with Thickness between 5-10 Mm. These are best suitable for Construction purpose. C Shape Aluminium channel section profiles are also known as CEE Channel

[Contact Us](#)



Underground Service Section of the DTE Energy Green Book

Two-inch galvanized rigid steel or Schedule 40 PVC conduit must be provided for the DTE Electric underground service lateral. The edge of the terminal adapter must be covered with a nonmetallic

[Contact Us](#)



Steel Channel Section Detail with Hanger Rod Dimensions

The section clearly illustrates connection points, offset alignment, and channel dimensions, ensuring structural support using AutoCAD files and cad files. It



U Channel Steel Sizes , Price, Grades & Global Supplier

Explore U Channel Steel sizes in mm and grades. Check prices, stock availability, and order for construction or distribution projects worldwide.

[Contact Us](#)



Chapter 33 Reinforced Concrete Box and Three-Sided Culverts

33.1 General This chapter presents the minimum requirements for selection and designing reinforced concrete culverts. The Department recognizes two types of reinforced concrete culverts other than

[Contact Us](#)



C Channels

C Channel Basics Standardization and Specifications C channels, also known as C beams or structural channels, are standardized by various international

[Contact Us](#)



HANDBOOK OF STRUCTURAL STEELWORK

BCSA Limited is the national organisation for the Steel Construction Industry; its Member companies undertake the design, fabrication and erection of steelwork for all forms of construction in building

[Contact Us](#)



The height requirement of distribution box

For the concealed distribution box in the wall, the wooden box larger than the distribution box shall be used to reserve holes. When installing the distribution box, the wooden box must be

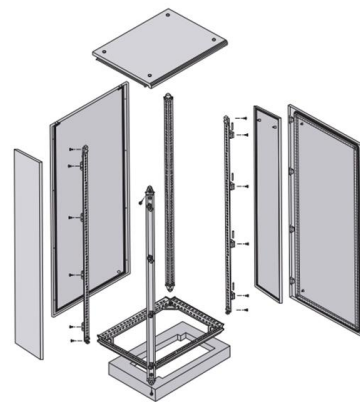
[Contact Us](#)



Steel Channel Basics

What is steel channel? Like other hollow sections, steel channel is rolled from steel sheet into C or U shapes. It consists of a wide "web" and two "flanges". The

[Contact Us](#)



Beyond-Steel-Channel

STOCK LENGTHS: 20', 30', 40', 60' ASTM A-36 The method AISC criteria that governs of determining the Approximate and MC shapes is as follows: S, C mate Dimensions for Detailing

[Contact Us](#)

C-Channels, Box Channel, Steel C Channel,



Aluminum, and Stainless

C Channels are different than Box-Channels in the manner in which they appear in print, on Drawings, Sketches, and other images. C-Channels are shown with the opening or gap on the side of the

[Contact Us](#)



Metal Channels

Trader - Wholesaler / Distributor of Metal Channels - Mild Steel U Channel, Ms C Channel, Metal C Channel and MS ISMC Channels offered by Universal Steel

[Contact Us](#)

Design Guide for Rural Substations

The following current and former members of the Substation Subcommittee of the (NRECA), Transmission and Distribution (T& D) Engineering Committee provided invaluable assistance in

[Contact Us](#)



Channels steel, Ms channels, Steel angles

ISMC supplied by 'Mehta Steels' are available in Mild Steel and High Tensile or HT grades. Common dimensions of ms channels available in ready stock with 'Mehta Steels' are:

[Contact Us](#)



Beyond-Steel-Channel

MC SHAPES/ JR. AND SHIP SHAPES STOCK LENGTHS: 20',30', 40', 60' ASTM A-36 APPROXIMATE DIMENSIONS FOR DETAILING Flange Half

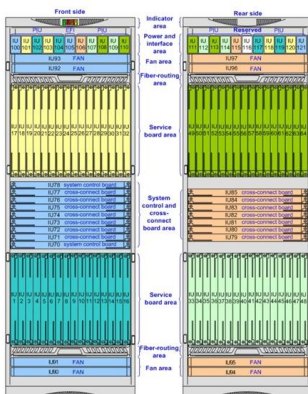
[Contact Us](#)



Vol1SDG.pdf

I.1 GENERAL The FDOT Structures Design Guidelines (SDG) is Volume 1 of the Structures Manual. See the Structures Manual Introduction for additional information including authority, scope,

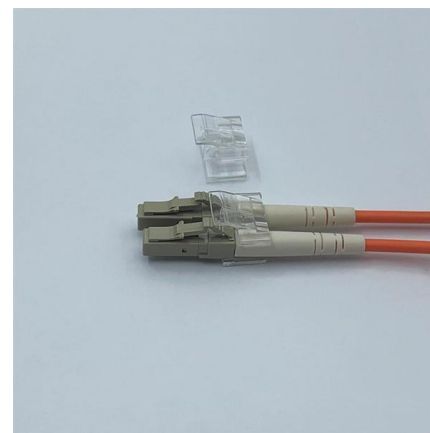
[Contact Us](#)



Chapter 6 Structural Steel

6.0.1 Introduction This chapter primarily covers design and construction of steel plate and box girder bridge superstructures. Because of their limited application, other types of steel superstructures

[Contact Us](#)



HANDBOOK OF STRUCTURAL STEELWORK

For most steel buildings the reversible serviceability limit states apply, although the irreversible situation may apply to cracking in concrete and steel composite structures.

[Contact Us](#)



Structural A36 Steel Channel Section Properties Table

ASTM Steel Channel Section Properties various sizes ranging C3 - C15. ASTM A36 channel is one of the most widely used carbon steels in industry. A36 steel it is

[Contact Us](#)



American Standard Steel Channels: Weight, Dimensions & Properties

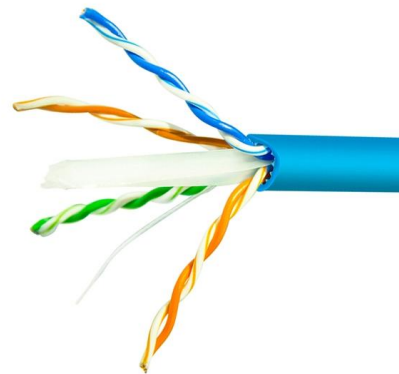
The site includes resources for common engineering tasks, such as calculating physical properties (e.g., density, viscosity, thermal conductivity), converting units, and designing systems like heating and

[Contact Us](#)

C Channels

The load-bearing capacity of a C channel is determined by its material properties, cross-sectional dimensions, and the type of load being applied (e.g.,

[Contact Us](#)



Hot rolled steel channels, I and H sections -- Dimensions and mass

2 Normative requirements do not apply to references steel channels, I and H sections from stainless steel. indispensable references, following documents, application. in of referenced or references,

[Contact Us](#)



CHAPTER 7 DESIGN FOR DISTRIBUTION FACILITIES

7.4.1 Span Length of Poles The span length between distribution line supports is to be determined taking into account the following: Recommended span 50 m; Maximum 80 m, for areas outside settlements,

[Contact Us](#)



BS EN 10365:2017

BS EN 10365:2017 is a British Standard that specifies the dimensions and masses of hot rolled steel channels, I and H sections, and supersedes BS 4-1:2005. It was published by the British Standards

[Contact Us](#)

Understanding DIN Rail: Types, Applications, and

Explore the world of DIN rail: discover types, applications, and specifications. Learn how components are designed to snap into enclosures for

[Contact Us](#)



TR 076_Design of Mounting Channels

Mounting channels are produced from steel with at least two fixing points fillet welded to the back of the channel. A fixture is connected to the mounting channel by channel bolts with nut and washer.

[Contact Us](#)



Contact Us

For datasheets, pricing, or custom fiber access solutions, please visit:
<https://frindel.es>