

Electrical distribution box grille open





Electrical distribution box grille open



How To Open Circuit Breaker Box Safely: A Step-by-Step Guide for

Can I open my circuit breaker box myself? Yes, with the right precautions, most homeowners can safely open their circuit breaker box to perform basic tasks like resetting a tripped

[Contact Us](#)

1.An Ultimate Guide for Metal Distribution Boxes

1) Metal Distribution Boxes Constructed from steel, aluminum, or cast iron, metal distribution boxes are highly durable and resistant to mechanical damage. Ideal

[Contact Us](#)



Requirements And Specifications For Installation Of

The fixing method should be firm and reliable to avoid movement or tilting of the box due to vibration or collision. It is recommended to use a suitable

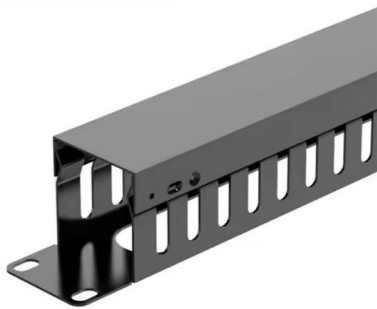
[Contact Us](#)



electrical

NEC 110.12 requires "neat and workmanlike" installation. In this case, you'll need to groom the wires so they aren't a "science

[Contact Us](#)



Understanding Distribution Boxes: A Comprehensive Guide

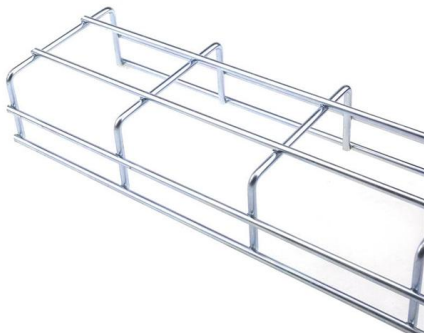
A distribution box, also known as a power distribution box or electrical distribution box, is used to distribute electrical power safely to multiple

[Contact Us](#)

What is an Electrical Distribution Box? A

Opening up an electrical distribution box might look like stepping into a maze of wires, switches, and mysterious gadgets. But each component plays a

[Contact Us](#)



Circuit Breaker Distribution Panel

Premium Electric electricians on how your circuit breaker distribution panel works, an easy-to follow guide for beginners.

[Contact Us](#)

What is an Electrical Distribution Box? A



Components Inside an Electrical Distribution Box
Opening up an electrical distribution box might look like stepping into a maze of wires, switches,

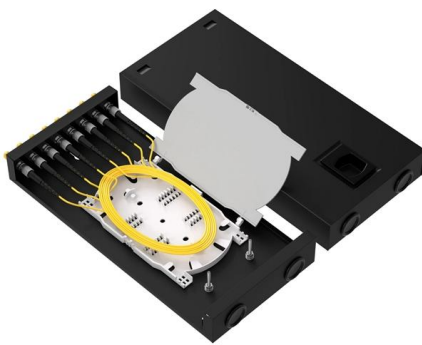
[Contact Us](#)



electrical distribution box preventive maintenance check list

The electrical distribution box preventive maintenance check list is an important recurring process. This template provides a good starting point to customize your process. For more, see @Checklists_AI

[Contact Us](#)



hubbellcdn

Hier sollte eine Beschreibung angezeigt werden, diese Seite lässt dies jedoch nicht zu.

[Contact Us](#)



Toolbox Talk - Electrical Distribution Boards - Cairnmead

The featured topic of this week's toolbox talk is electrical distribution boards. A distribution board must comply with SANS 10142 codes.

[Contact Us](#)





Understanding Distribution Boxes: A Comprehensive Guide

Learn what a distribution box is, its types, and how to choose the right one for your project. Includes clear examples and expert tips.

[Contact Us](#)



How To Open An Electrical Box

Learn how to open an electrical box safely and efficiently with our informative articles. Ensure you have the knowledge and skills necessary to

[Contact Us](#)

Cautions and Requirements for Installation of

Distribution box is a low-voltage distribution device which assembles switchgear, measuring instruments, protective appliances and auxiliary equipment in a closed

[Contact Us](#)



Electrical Panel Safety

Electrical Panel Safety Electrical hazards are among the most common safety hazards found during Office of Compliance occupational safety and health

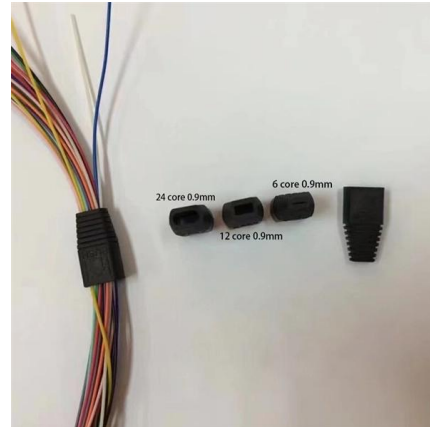
[Contact Us](#)



Distribution Box: Types and Functions , Axis-Electricals

Watch our video to understand the Types, Applications & Functions in Detail! They are generally used as a distribution box during a main upstream breaker. Line

[Contact Us](#)



Electrical Panel Box: Anatomy & How It Works , Penna

An electrical panel box or breaker box controls the entire electricity in your home, so it's important to know its components and how it works.

[Contact Us](#)

Electrical Panels: Replacement Signs, Maintenance,

The electrical panel--also called a circuit breaker box or service panel--is the central distribution point that connects the primary outside wire to

[Contact Us](#)



TSA_UM003 Electrical Distribution V2

Any electrical supply line to individual pieces of equipment should be controlled by a dedicated "isolator" near to the point of electrical connection. This isolator should have the capability to be locked off.

[Contact Us](#)



A Step-by-Step Guide to Wiring an Electrical Panel Box

Find out how to properly wire an electrical panel box with a comprehensive diagram and step-by-step instructions.

[Contact Us](#)



Essential Guide: Electrical Panel Access Clearance

Understanding Electrical Panel Access Clearance Requirements Electrical panels, also known as breaker boxes or distribution boards, are critical components in

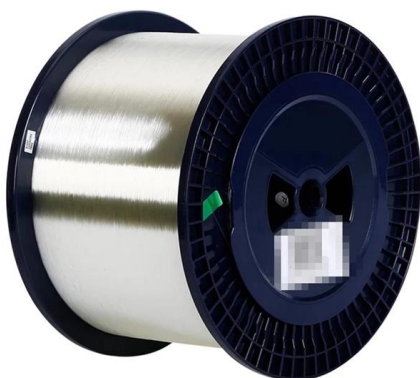
[Contact Us](#)



Thermal Management Of Electrical Boxes And Cabinets

Opt for our thermal management solutions for electrical boxes and cabinets, in stock at One-Elec, electrical equipment supplier. Fast delivery.

[Contact Us](#)



The Complete Guide to Distribution Box: Installation, Types & More

What's the difference between a distribution box and a sub-panel? A distribution box typically refers to the main electrical panel that receives power from the utility service. A sub-panel is

[Contact Us](#)

What is the Internal Structure of The Distribution Box



Learn about the internal structure of a distribution box, its components, functions, and key types. Understand its role in electrical systems

[Contact Us](#)



Distribution Box Guide: Types, Components & Solutions

Understand distribution boxes (DB boxes) in 5 minutes. Learn about types, components, functions, and uses. Find the perfect DB box for your needs.

[Contact Us](#)

Contact Us

For datasheets, pricing, or custom fiber access solutions, please visit:
<https://frindel.es>