

# Ecuadorian Spectrometer Production





## Ecuadorian Spectrometer Production

---



### **Ecuador: Latin American Economic Outlook 2025 , OECD**

The 18th edition of the Latin American Economic Outlook presents policy options for a greener, more inclusive regional production structure and examines financing mechanisms to support this

[Contact Us](#)

### **Spectrometry Market Size & Share , Industry Report, 2030**

The integration of automation technologies, such as robotics and machine learning, has further propelled the growth of spectrometer instruments by increasing

[Contact Us](#)



### **Comprehensive two-dimensional gas chromatography-mass spectrometry**

The current methodology used in quality control of Ecuadorian beverages such as Pájaro azul, Puro and Pata de vaca is carried out by using conventional gas chromatography; however, it does not allow

[Contact Us](#)

### **Ecuador's Spectrometers and Spectrophotometers Market Report**

In 2024, spectrometers and spectrophotometers exports from Ecuador skyrocketed to X units, rising by X% against 2023. Overall, exports recorded a significant expansion.



### **Authentication of cocoa bean shells by near**

The selected techniques provided significant criteria to distinguish sample classes, such as Central African and Ecuadorian samples, with adequate accuracy and precision; however, it is

[Contact Us](#)



### **Spectrophotometer Manufacturers In Ecuador, Exporters**

We are a pioneer Spectrophotometer Exporters and Suppliers in Ecuador. Our dedicated customer support team is always available to assist with any inquiries, providing a seamless experience from

[Contact Us](#)



### **Spectrophotometer In Ecuador , Spectrophotometer Manufacturers**

We stand amidst the trusted Spectrophotometer manufacturers in Ecuador, ensuring precision, durability, and performance. Our state-of-the-art manufacturing facilities are equipped with the latest

[Contact Us](#)





### Exploratory Monitoring of the Quality and Authenticity of

Honey is one of the oldest sweetening foods and has economic importance, making this product attractive to adulteration with cheap sugars. This

[Contact Us](#)



SC connector  X 12



### A multipronged flavor comparison of Ecuadorian CCN51 and

Being a highly productive cultivar resistant to diseases and variable climate conditions, CCN51 played an important role in raising the Ecuadorian cocoa production. The large beans of

[Contact Us](#)

### Ecuador Trade , WITS

Ecuador Trade at a Glance : Most Recent Values Latest trade data available from various sources. Ecuador monthly trade data Please note: The data from various sources are not from the same year.

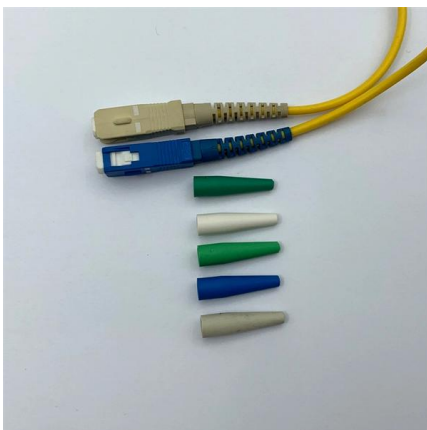
[Contact Us](#)



### laboratory spectrometer Manufacturers serving Ecuador ,

We specialize in high performance spectrometers and purpose built spectroscopy systems. We also provide state of the art components and services for the soft

[Contact Us](#)





### Microplastics in Honey, Beer, Milk and Refreshments in

The samples of beer obtained are those available in the Ecuadorian market. Figure 2 shows the production processes of skim milk, honey, beer and

[Contact Us](#)



### Ecuadorian artisanal production and its future projection from the

Request PDF , Ecuadorian artisanal production and its future projection from the Cultural and Creative Industries perspective (CCI) , Craftsmanship or artisanal production, like many other

[Contact Us](#)



### Comprehensive two-dimensional gas chromatography-mass spectrometry

beverages and product adulteration cases. Thus, the two-dimensional chromatographic fingerprints obtained by GC x GC-MS coupled with chemometric analysis, using Principal Component Analysis

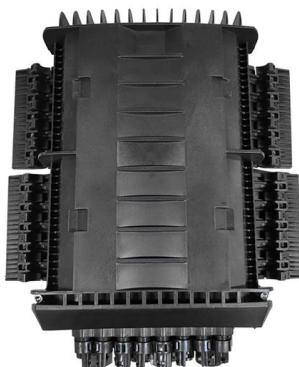
[Contact Us](#)



### Ecuador

afp-300 automatically executes the Cold Filter Plugging Point (CFPP) test. A tester that measures the vaporizing / coking process of Micro carbon residue. A tester to determine Reid vapor pressure

[Contact Us](#)





## Spectrometer In Ecuador

We are recognized among the best manufacturers of Spectrometer in Ecuador and become a trusted platform to buy standardized solutions that give clients value for money.

[Contact Us](#)



## Spectroscopic remote sensing of volcanic gases : The Ecuadorian case

PDF , On Jan 1, 2006, Santiago Arellano and others published Spectroscopic remote sensing of volcanic gases : The Ecuadorian case , Find, read and cite all the research you need on ResearchGate

[Contact Us](#)

## Elemental Analysis Solutions & Analytical Instruments , SPECTRO

SPECTRO is a global leading supplier of advanced analytical instruments like ICP, Arc Spark OES, and XRF spectrometers for precise elemental analysis of materials.

[Contact Us](#)



## Physicochemical Characterization and Antioxidant Capacity of Açai

The phytochemical components and antioxidant capacity of Açai (Euterpe oleracea) give it nutritional and bioactive characteristics with anti-cancer and anti-inflammatory properties; it is

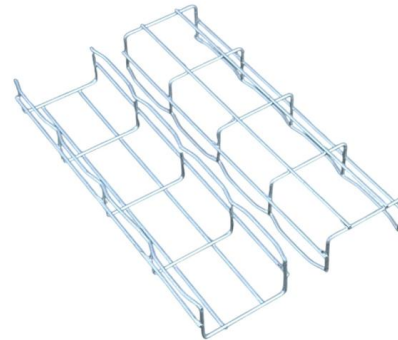
[Contact Us](#)



### Effect of a semi-automated fermentation system on the

Ecuador is one of the main cocoa exporters in Latin America and the top producer of high-quality fine cocoa (~ 65%) in the world. However, there is a lack of knowledge regarding the

[Contact Us](#)



### Comprehensive two-dimensional gas chromatography-mass spectrometry

Comprehensive two-dimensional gas chromatography-mass spectrometry combined with multivariate data analysis for pattern recognition in Ecuadorian spirits.

[Contact Us](#)

### Ecuador Ecuadorian Competitiveness in Production of Soluble Coffee

Executive Summary: Ecuador's soluble sector, and exports of soluble coffee, have fallen by 50 percent in the last few years. Ecuador's competitiveness in processing imported coffee has

[Contact Us](#)



### Ecuador\_report\_12thORM revLB

INAMHI anticipates that at the end of March 2024 the instrument will resume operations. The Izoamba site also has a full suite of meteorological measurements deployed as an automatic station.

[Contact Us](#)

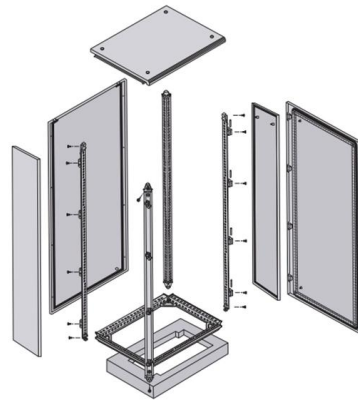




## Trace element contamination in Ecuadorian soils and cacao

For several years now, cadmium (Cd) was found to be readily transferred from soil to cacao beans, especially in Andean countries. Cacao by-products can then contain excessive metal

[Contact Us](#)



## Contact Us

---

For datasheets, pricing, or custom fiber access solutions, please visit:  
<https://frindel.es>