

# **Does concealed installation of the distribution box constitute pre-embedded wiring**





## Does concealed installation of the distribution box constitute pre-e

---



### How are wiring and connections concealed in a custom home build?

Pre-Wiring During Framing Stage Pre-wiring during the framing stage is a critical step in concealing wiring and connections in a custom home build. This phase occurs after the framing of

[Contact Us](#)

### 2011 38 Spring Wiring Matters

Specification of prefabricated wiring systems Prefabricated wiring systems are an established alternative to conventional fixed wiring methods. They are often referred to in generic terms as 'modular wiring'

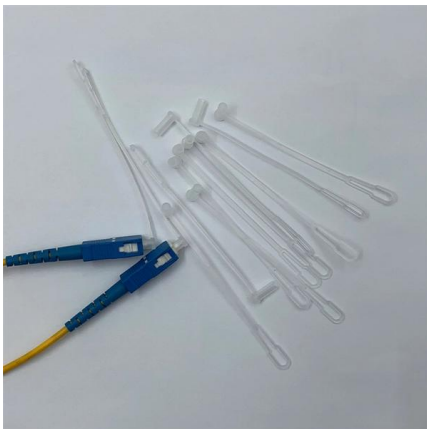
[Contact Us](#)



### Electric Panel Installation Method Statement

It outlines 4 steps: 1) Pre-installation preparation including reviewing plans and ensuring safety, 2) Mounting panels and running wiring, 3) Installing circuit

[Contact Us](#)



### Understanding Distribution Boxes: A Comprehensive Guide

The right distribution box depends on the installation environment, protection level, load requirements, and application type. By understanding the



### How to Install Concealed Conduit Electrical Wiring

Learn how to install concealed conduit electrical wiring systems with safety and functionality in mind.

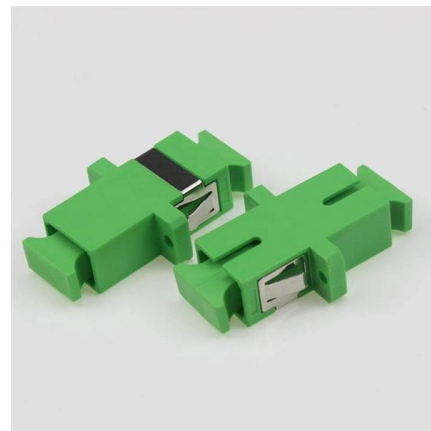
[Contact Us](#)



### Method Statement for Installation of Electrical Conduit

Sizes of conduits and boxes to be installed as per approved shop drawings. Electrical Conduit Installation Guide PVC Conduits shall only install

[Contact Us](#)



### What is an Embedded Electricity Network? , Tradify(TM)

What is an Embedded Electricity Network? Embedded electricity networks are private systems used to distribute electricity within multi-tenant

[Contact Us](#)

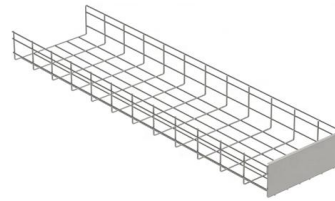




## The installation requirements for the distribution box

Learn how to install a distribution box safely and correctly. Covers wiring, placement, standards, and expert tips for a compliant setup.

[Contact Us](#)



## 5 advantages and disadvantages of concealed wiring

Conclusion: In summary, concealed wiring offers a neat, aesthetically pleasing and safe electrical installation, making it a popular choice in modern buildings. It protects wires from external damage

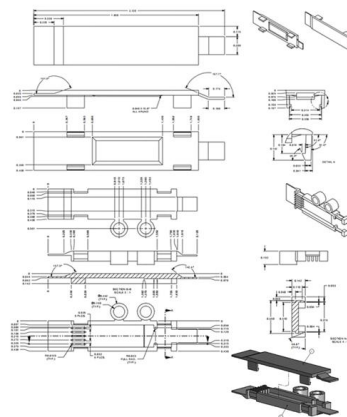
[Contact Us](#)



## Installation method of domestic power distribution box

The distribution box is small, can also be installed in the pre buried block (according to the position of embedded distribution cabinets or four corners of the board mounting hole), and then

[Contact Us](#)



## Embedded Conduit Installation Method , PDF , Concrete

Embedded Conduit Installation Method This document provides a method statement for installing embedded conduits, boxes, and fittings during concrete construction.

[Contact Us](#)



## Concealed wiring: Know importance, advantages and

Here, we discuss the advantages and disadvantages of concealed wiring systems and also some DIY tips to hide exposed wires in your home.

[Contact Us](#)



## 2008 27 Summer Wiring Matters

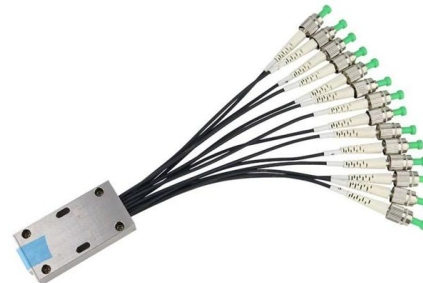
Permitted cable and whether the installation will be under the control of a skilled person, or instructed person or ordinary person will depend whether the concealed wiring will require RCD protection or not.

[Contact Us](#)

## Exploring the Design of Hidden Beams in the

Concealed within the structural elements of a building, hidden beams offer a multitude of benefits while posing some unique challenges. In this comprehensive

[Contact Us](#)



## The installation requirements for the distribution box

Before installation, it's important to know what makes up a distribution box. Let's break it down into two main parts: the outer shell and the electrical

[Contact Us](#)



## Installation method of distribution box

The wall mounted distribution box can be fixed on the wall with expansion bolts, but the hollow brick or block wall shall be embedded with dovetail bolts or fixed with split bolts.

[Contact Us](#)



## The Truth About Hidden Beams , Concealed Beams

The internet space (mostly blogs) is filled with so much information about hidden beams (also called concealed beams) which is defined as a beam

[Contact Us](#)



## Embedded Installation Of Distribution Box

Due to the long time interval between the embedding of the box and the installation and wiring of the box panel, the box shall be disassembled with the box cover

[Contact Us](#)



## Guide to Specifying Prefabricated Wiring Systems

This guide expands upon some of the key requirements when specifying prefabricated wiring systems, such as system safety standards and achieving conformity with BS 7671 (Wiring Regulations).

[Contact Us](#)



## Embedded Installation Of Distribution Box



When the width of the distribution box is more than 500mm, it is required to install concrete lintels on the top of the box during civil construction; when the box width

[Contact Us](#)



### Installation Mode Of Distribution Box

The distribution box shall be embedded in the wall. When building the wall, the reserved hole shall be about 20mm larger than the length and width of

[Contact Us](#)

**EFFICIENT FIELD TERMINATION**

**No Polishing | No Epoxy**

Eliminates cable excess length and pigtail splice storage. Designed for high-efficiency onsite installation.

### CN107800070A

The invention discloses a kind of pre-embedded construction method of electrically concealed junction box, this method lays electric pipeline first, by the leading-out terminal Pass line

[Contact Us](#)



### Embedments in Concrete and When it is Used in

Fig.2: Electrical Conduits Embedded in Concrete Floor Slab When Embedments are Used in Reinforced Concrete Elements? Commonly, embedments which are not

[Contact Us](#)

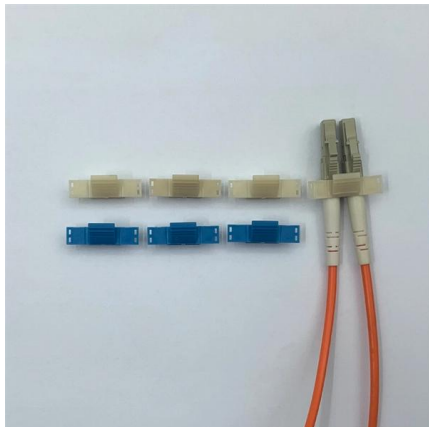




## MNS® Low Voltage Distribution Board and Power Cabinet

The ABB-MNS® distribution board and power cabinet are of a welded structure. The product comes in a good variety of shapes, and is highly versatile, structurally innovative, and mechanically rigid. Its

[Contact Us](#)



### Installation process of distribution box

3. The distribution box shall be embedded in the installation, and the panel after installation shall be flat with the wall. 4. After the cabinet (panel) adjustment is

[Contact Us](#)

### How to Design a PCB with Embedded Components

Embedded PCB components are passive devices fabricated within the PCB substrate. They reduce parasitic effects and enhance heat dissipation.

[Contact Us](#)



### Installation of Cables Concealed in Structures

This guide summarises the requirements regarding the installation of cables concealed under a floor or above a ceiling; and within a wall or partition. Note: This guide does not cover all of the requirements

[Contact Us](#)



## Concealed Conduit Wiring System: A Clever Solution for Tidier and

The concealed conduit wiring system is a method of electrical installation where the cables are concealed within the walls. It provides a safer and more aesthetically pleasing solution for

[Contact Us](#)



## Mechanical

The incorporation of services at the planning and design stage of project development is critical to avoid unnecessary delays during installation and construction. Locations of the building services especially

[Contact Us](#)

## Contact Us

---

For datasheets, pricing, or custom fiber access solutions, please visit:  
<https://frindel.es>