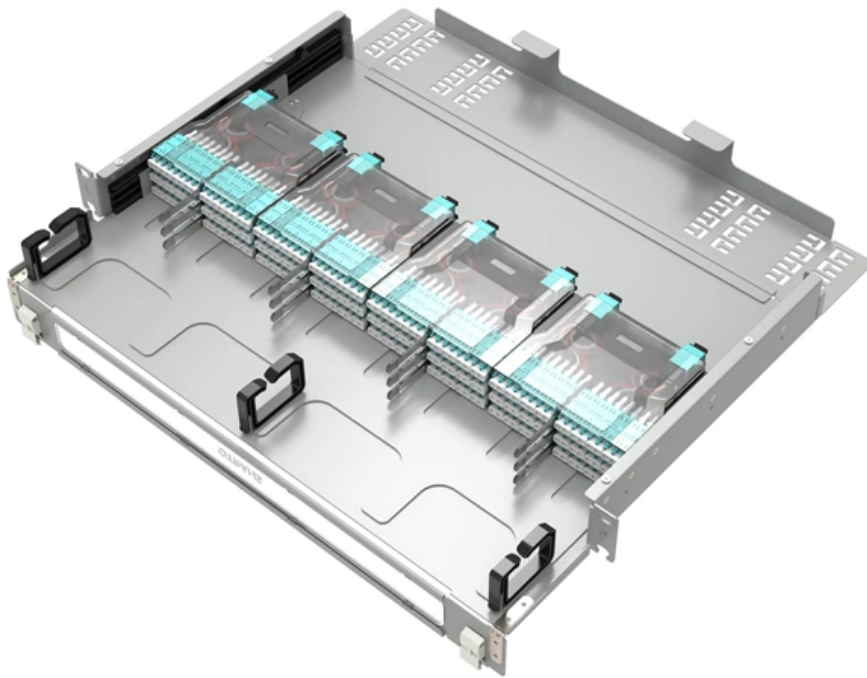


Distribution box and adjacent





Distribution box and adjacent



Difference Between a Distribution Box and a Junction

Discover the key difference between a distribution box and a junction box, including their functions, structure, and ideal applications.

[Contact Us](#)

A comprehensive understanding of distribution box

? Introduction Distribution boxes are at the heart of safe and organized electrical systems--whether in residential, commercial, or industrial settings. But

[Contact Us](#)



What is an Electrical Distribution Box? A

Discover everything you need to know about electrical distribution box! Learn about types, components, and how to choose.

[Contact Us](#)



Understanding Distribution Boxes:A Comprehensive Guide

Understanding its significance, this article covers what a distribution box is, how it functions, its structure, the various types available, and how it

[Contact Us](#)



Area distribution boxes with connectors

Additional sockets can be connected quickly by adding a mixed cord (RJ 45-stripped) between the box and the RJ 45 socket, or by adding an RJ 45 only cord for an even quicker solution.

[Contact Us](#)



How to Choose a House Distribution Box , CHINT global

A well-chosen distribution box ensures the safety and efficiency of your household electrical system. This article guides you through selecting a

[Contact Us](#)



Understanding Distribution Boxes: A Comprehensive Guide

Learn what a distribution box is, its types, and how to choose the right one for your project. Includes clear examples and expert tips.

[Contact Us](#)





Distribution Boxes: Types and Functions

Learn what an electrical distribution box (DB/distribution board) is, its main components (MCB/RCCB/RCBO, SPD, busbar) and common types.

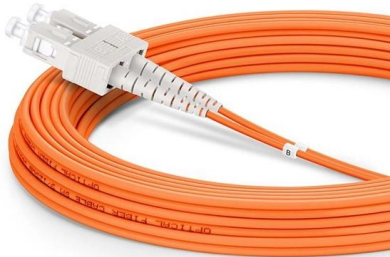
[Contact Us](#)



The installation requirements for the distribution box

Learn how to install a distribution box safely and correctly. Covers wiring, placement, standards, and expert tips for a compliant setup.

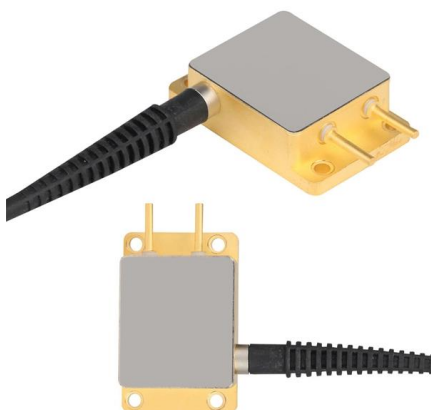
[Contact Us](#)



Distribution Board vs. Distribution Box: What's the

Understand the key differences between distribution boards and boxes--functions, applications, safety, cost, and when to use each one.

[Contact Us](#)



Electrical Control Panels & Distribution Boxes: Sizes,

Learn about control panels, breaker boxes, junction boxes, and custom enclosures. Explore standard panel sizes, applications, and key

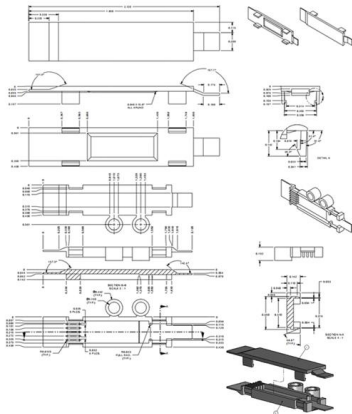
[Contact Us](#)



The Complete Guide to Distribution Box: Installation, Types & More

What's the difference between a distribution box and a sub-panel? A distribution box typically refers to the main electrical panel that receives power from the utility service. A sub-panel is

[Contact Us](#)



Ultimate Guide To Distribution Boxes Db Boxes Types

This ultimate guide explains what a distribution box does, its internal components, common types, real-world applications, and how to select the right DB Box for

[Contact Us](#)

Distribution Box vs Control Box vs Junction Box: Key

Learn the differences between distribution boxes, control boxes, and junction boxes. Discover their functions, applications, and how E-abel provides

[Contact Us](#)



- IP65/IP55 OUTDOOR CABINET
- IP54/55
- OUTDOOR ENERGY STORAGE CABINET
- OUTDOOR BATTERY CABINET

What Is a Distribution Box?

What to Look for When Choosing a Distribution Box If you're going to buy a distribution box, there are several things you should look for. You should

[Contact Us](#)



Where Is the Distribution Box Located and How to Find It

Learn where distribution boxes are typically located in homes and get step-by-step instructions for finding your electrical panel. Includes safety tips and

[Contact Us](#)



Live-Load Moment-Distribution Factors for an Adjacent Precast

Abstract In this study, the live-load moment-distribution factors (LLMDFs) were evaluated for an adjacent precast prestressed concrete box beam bridge. The bridge used a new shear key

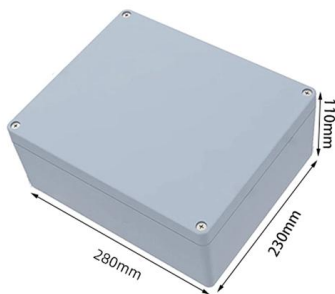
[Contact Us](#)



Comprehensive Guide on Septic System Distribution

Explore a comprehensive guide on septic system distribution boxes, covering design, installation, maintenance, and troubleshooting.

[Contact Us](#)



Power Distribution Boxes Explained Simply

Learn what a power distribution box is, how it works, key components, types, and why it's vital for safe and efficient electrical systems.

[Contact Us](#)



12 types of distribution boxes and how to choose them

In this guide, we'll break down the 12 main types of distribution boxes in a way that's easy to understand. We'll chat about what each one does, where it shines, and then dive into how to choose the perfect

[Contact Us](#)



Distribution Box Guide: Types, Components & Solutions

Understand distribution boxes (DB boxes) in 5 minutes. Learn about types, components, functions, and uses. Find the perfect DB box for your needs.

[Contact Us](#)



AASHTO Bridge Question Regarding Adjacent Box Beams

It would be great to hear what other designers/raters are doing regarding this issue. I'm working on a load rating for an adjacent prestressed concrete solid slab/beam bridge and have a

[Contact Us](#)



How to Install a Cable Distribution Box Safely and

Reliable cable distribution boxes ensure safe, efficient power management for residential, commercial, and industrial systems. Learn

[Contact Us](#)



What is the Internal Structure of The Distribution Box

Learn about the internal structure of a distribution box, its components, functions, and key types. Understand its role in electrical systems

[Contact Us](#)



Contact Us

For datasheets, pricing, or custom fiber access solutions, please visit:
<https://frindel.es>