

Distribution Network Automation Control System





Distribution Network Automation Control System

Distribution System Control and Automation



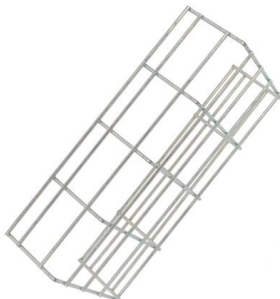
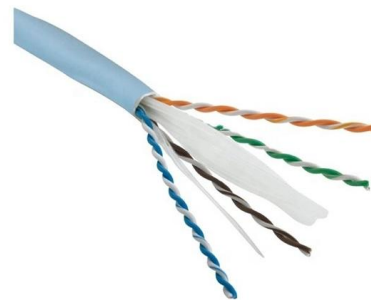
What do we mean by distribution system control and automation? Distribution Automation (DA): Uses sensors and switches with advanced control and communications technologies to automate feeder

[Contact Us](#)

Distribution Automation , Siemens

Our distribution automation solutions optimize primary equipment O& M, boost supply safety & voltage quality, and adapt quickly to network changes. They also feature

[Contact Us](#)



Distribution Automation Handbook

The handbook describes various power distribution system constructions and elements there-of, technical considerations, distribution automation infrastructure

[Contact Us](#)

(PDF) An Overview of Automation in Distribution Systems

Flexible control of distribution systems, which can be used to enhance efficiency, reliability, and quality of electricity services is implemented by the



(PDF) Distribution Automation Systems (DAS) -Overview

Distribution Automation Systems (DAS) are comprehensive control systems that automate the monitoring and management of power distribution

[Contact Us](#)

Introduction to Distributed Control Systems (DCS)

Distributed control systems (DCS) evolved out of control systems for facilities, but their scope can be difficult to fully understand. This article explores

[Contact Us](#)



Mastering Distributed Control Systems: A

A distributed control system (DCS) is a network of interconnected controllers, computers and other automation devices used to monitor and control

[Contact Us](#)





Distribution Automation

Distribution automation (DA) is a family of technologies, including sensors, processors, information and communication networks, and switches, through

[Contact Us](#)



Application of IEC 61850 for distribution network

Abstract IEC 61850 was originally conceived as a communication standard within a substation, but is being extended to cover other areas of the

[Contact Us](#)

Distributed control system

A distributed control system (DCS) is a computerized control system for a process or plant usually with many control loops, in which autonomous controllers are

[Contact Us](#)



What is a Distributed Control System (DCS)?

Learn what is a distribution control system (DCS) is, how it's used, and the benefits of using DCSs in various industries.

[Contact Us](#)



Understanding Distributed Control Systems (DCS) in

Explore how distributed control systems (DCS) empower industrial automation with reliable control loops, real-time monitoring, and enhanced

[Contact Us](#)



Control and Automation Systems for Distribution Networks

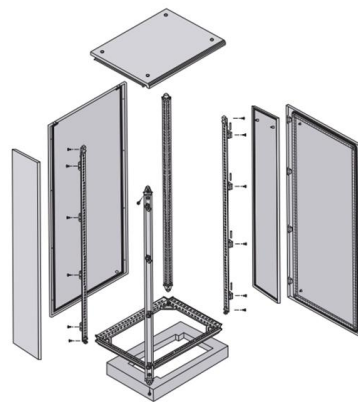
Automation and control systems necessary to manage distribution networks with high penetrations of DER are a particular focus, along with the controls needed to provide services and

[Contact Us](#)

Rittal Ltd UK

The world's leading systems provider for Enclosures, Power Distribution, Climate Control, IT infrastructure, 19" racks and software & services.

[Contact Us](#)



100G QSFP28 to 4*25G SFP28 AOC
QSFP-4X25G-AOC**M

100 SFP+ AOC
SFP-10G-AOC**M
1m 2m 3m 5m 7m 10m 15m 20m 25m 30m



AOC
10G 25G
40G 10G



40G QSFP+ to 4*10G SFP+ AOC
QSFP-4X10G-AOC**M

40G QSFP+ AOC
QSFP-40G-AOC**M
1m 2m 3m 5m 7m 10m 15m 20m 30m 50m

An Overview Of Distributed Control Systems , Plant

Distributed Control Systems (DCS) plays a vital role in manufacturing industries. They are utilized to manage & control the processes.

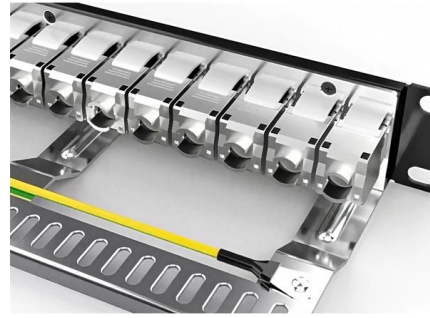
[Contact Us](#)

Distribution Automation



This distribution automation software allows users to configure, test, and deploy systems that minimize customer outages by automatically isolating permanent faults and rerouting power around the

[Contact Us](#)



(PDF) Distribution Automation: Enhancing Efficiency and

Opportunities for distribution automation, such as enhanced reliability, improved operational efficiency, enhanced data collection and analysis,

[Contact Us](#)

Distribution System Automation

Abstract Electric power distribution system is an important part of electrical power systems in delivery of electricity to consumers. Automation in the distribution field allows utilities to implement flexible

[Contact Us](#)



Understanding Distributed Control Systems (DCS): A Deep Dive into

Introduction to Distributed Control Systems
Distributed Control Systems (DCS) represent a significant advancement in the field of automation and industrial process control. At their core, DCS are

[Contact Us](#)



Distribution automation fundamentals , Eaton

Offering increased security, simplified installation, reduced training and lower cost of ownership, the highly flexible control can be readily deployed in advanced automation schemes such as Eaton's

[Contact Us](#)



What is Distributed Control System (DCS)?

DCS means Distributed Control System. A computerized control system monitors and manages complex processes in manufacturing, oil and gas,

[Contact Us](#)

Distribution Automation

Distribution automation is an important method to improve the reliability, quality and capacity of power supply, and helps to realize the efficient and economic operation. It is also one of the important

[Contact Us](#)



Understanding Distributed Control Systems: Key

Explore the role of Distributed Control Systems in automation and their distinctions from PLCs in our in-depth analysis.

[Contact Us](#)



Control and Automation Systems for Distribution Networks

Abstract Distribution networks have traditionally had low levels of automation and control, primarily centered around the use of SCADA to monitor medium voltage (MV) feeders together with a

[Contact Us](#)



Distribution Automation , Introduction, Benefits, and

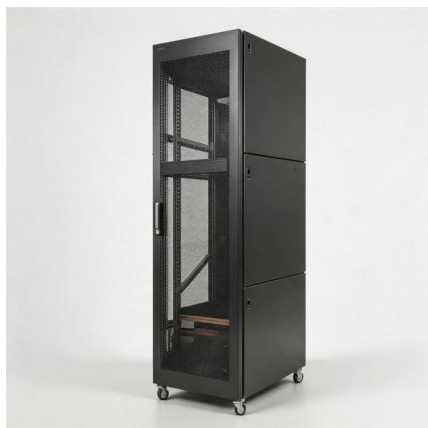
Distribution automation (DA) uses technologies like sensors, processors, and communication networks to improve the efficiency of power distribution systems.

[Contact Us](#)

Distribution Automation , Introduction, Benefits, and

What is Distribution Automation? Distribution automation (DA) uses technologies like sensors, processors, and communication networks to improve the efficiency of

[Contact Us](#)



What is Distributed Control System (DCS)?

What is DCS System? A distributed control system (DCS) is a specially designed automated control system that consists of geographically distributed control

[Contact Us](#)



Contact Us

For datasheets, pricing, or custom fiber access solutions, please visit:
<https://frindel.es>