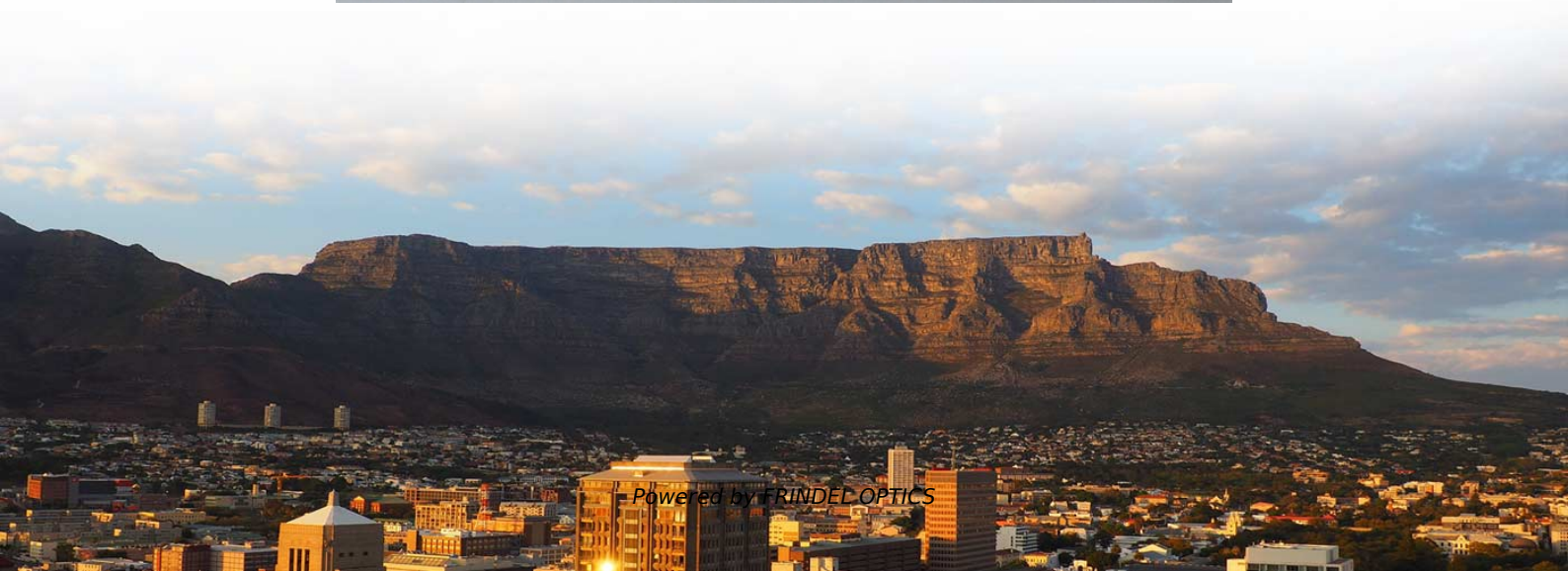


# **Direct Sales of LPO Optoelectronic Hybrid Cables**





## Direct Sales of LPO Optoelectronic Hybrid Cables

---

### 800G Linear Direct Drive Network System Design & Implementation



The LPO system is an optoelectronic hybrid channel that includes an electrical signal channel, driver, TIA, and optical device. In comparison to passive electrical signal channels, the LPO channel

[Contact Us](#)

### Optoelectronic Hybrid Cables

AOC was developed as a replacement for the DAC (Direct Attach Copper) cables and is primarily used in data centers and other high-performance computing

[Contact Us](#)



### Optoelectronic Hybrid Cable Market

The optoelectronic hybrid cable market is experiencing a pivotal transformation driven by escalating demands for high-bandwidth data transmission, reliable power delivery, and integrated network

[Contact Us](#)

### Unlocking the Future of Industrial Automation: The Advantages of

Optoelectronic hybrid cables present a wealth of advantages that significantly enhance industrial automation systems' efficiency, reliability, and flexibility. As industries continue to evolve and



### **Optoelectronic Hybrid Cable Market Report , Global Forecast From**

Both single-mode and multi-mode hybrid cables are essential in the optoelectronic hybrid cable market, each catering to specific application requirements. The choice between the two depends on factors

[Contact Us](#)



### **LightCounting :: Sales of AOCs, DACs and AECs will reach \$2.8**

LightCounting releases High-speed Cables, LPO and CPO report Sales of high-speed cables are projected to more than double over the next five years, reaching \$2.8 billion by 2028. Active

[Contact Us](#)



### **LPO MSA Announces Release of Specification for Linear Pluggable**

This specification is a significant milestone for both the LPO MSA and networking industry. The 100G-DR-LPO specification has been validated by extensive member interoperability

[Contact Us](#)

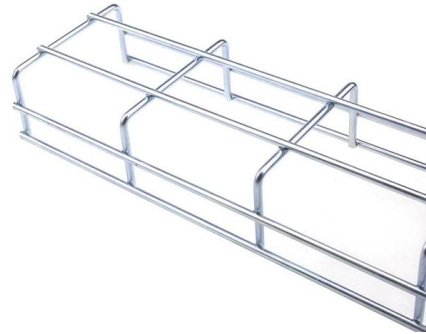




## Optical Hybrid Cables: A Comprehensive Guide

This guide provides an in-depth exploration of optical hybrid cables, detailing their construction, technical standards, and the myriad advantages they

[Contact Us](#)



### Product Photography



## Global Optoelectronic Hybrid Cable Market 2025 by Manufacturers

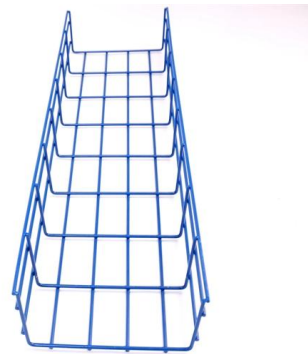
This report is a detailed and comprehensive analysis for global Optoelectronic Hybrid Cable market. Both quantitative and qualitative analyses are presented by manufacturers, by region & country, by

[Contact Us](#)

## Optical Interconnect Technology Analysis: LPO, NPO, CPO

Exploring optical interconnects for AI data centers: LPO for low-power, short-distance links, NPO for high-density, near-package connections,

[Contact Us](#)



## Linear Drive Pluggable Optics

Linear Drive Pluggable Optics Linear Drive Pluggable Optics (LPOs) have gained tremendous attention during 2023 and this document attempts to de-mystify the terminology. The focus is on 400G and

[Contact Us](#)



## Optoelectronic Hybrid Cable Market Size, Drivers, Key Players

The analysis is structured to be adaptable to any Optoelectronic Hybrid Cable Market while providing actionable, region-specific insights.

[Contact Us](#)



Network Cabinet & Rack

## Optoelectronic Composite Cable: Hybrid Solution for

Explore optoelectronic composite cables--hybrid fiber optic and power cables engineered for efficient data and energy transmission. Learn about types,

[Contact Us](#)



## Data Center Linear-drive Pluggable Optics (LPO) Market

The Data Center Linear-drive Pluggable Optics (LPO) market is experiencing rapid growth, driven by the demand for high-speed, efficient data transmission

[Contact Us](#)



## LRO, LPO, and Silicon Photonics

Silicon photonics reduces power consumption in both LRO and LPO modules by integrating optical components directly on silicon chips. Traditional optical

[Contact Us](#)





### Co-packaged optics (CPO): status, challenges, and

From then on, active optical cables (AOC) and optical transceivers have gradually completely replaced copper cables in intra/inter-rack interconnects

[Contact Us](#)



### AOCS, DACS, LINEAR DRIVE PLUGGABLE AND CO-PACKAGED

AOCs gained market share by offering longer reaches than passive Direct Attached Copper (DACs), Active Copper Cables (ACCs) and Active Electronic Copper (AEC) cables, also examined in this

[Contact Us](#)

### LPO and CPO: A Pivotal Shift and Synergistic Evolution

The emergence of LPO and CPO marks a pivotal shift from "pluggable-dominated" to "integrated-evolving" optical interconnects. LPO's low

[Contact Us](#)



### Global Optoelectronic Hybrid Cable Market Research Report 2025

The Optoelectronic Hybrid Cable market size, estimations, and forecasts are provided in terms of output/shipments (K Units) and revenue (\$ millions), considering 2024 as the base year, with history

[Contact Us](#)



## Optoelectronic Hybrid Cable Market Size Analysis 2026-2033

The optoelectronic hybrid cable market is poised for significant growth, driven by rising demand for high-speed data transmission and advancements in telecommunications infrastructure.

[Contact Us](#)



## Linear pluggable optics for data centers

Customers have often singled out link accountability as a key impediment to adoption of LPO, and for good reasons

[Contact Us](#)

## Optoelectronic Hybrid Cable Market Report , Global Forecast From

The global optoelectronic hybrid cable market size is expected to grow from USD 1.5 billion in 2023 to USD 3.9 billion by 2032, with a compound annual growth rate (CAGR) of 11.2% during the forecast

[Contact Us](#)



## CPO vs LPO: Choosing the Right Path for Next-Gen

CPO vs LPO: Compare key differences, benefits, power savings, and best use cases for data centers to choose the right optical technology for your

[Contact Us](#)



## Optoelectronic Hybrid Cables



Active Optical Cable (AOC) is developed as a replacement for direct-attached copper (DAC) cables. AOC is primarily used in data centers and other high-performance computing environments.

[Contact Us](#)



### **What is LPO?. In the dynamic world of optical , by**

LPO represents a groundbreaking approach to optical communication by leveraging linear direct drive technology and eliminating the need for DSP and

[Contact Us](#)

### **Microsoft Word**

This report provides an in-depth analysis of the impact of silicon photonics (SiP) on the market for optical transceivers and related components in 2018-2022.

[Contact Us](#)



### **Sales of AOCs, DACs and AECs to hit US\$2.8bn by**

According to a new report on High-speed Cables, LPO and CPO, from LightCounting, sales of high-speed cables are projected to more than double

[Contact Us](#)



## Co-packaged optics are inching closer to

AOC: transceivers with integrated fibers DAC: copper cables datacenter Interconnect Each new generation of optical modules are backward-compatible with the previous-generation technology.

[Contact Us](#)



## Contact Us

---

For datasheets, pricing, or custom fiber access solutions, please visit:  
<https://frindel.es>