

DIY Channel Steel Cable Tray Supports





DIY Channel Steel Cable Tray Supports



Unistrut Channel Cable Tray Support

Unistrut Channel Cable Tray Support is a specially designed system that offers a strong and flexible framework for organizing and supporting cables.

[Contact Us](#)

Best Practice Guide to Cable Ladder, Cable Tray

Accessory Component used for a supplementary function e.g. to join two components together, clamp or fix to walls, ceilings or other supports, covers and

[Contact Us](#)



Cable Tray Installation Guidelines , PDF , Galvanization

This document provides details on installing cable trays and their support systems. It includes diagrams showing how to mount cable trays on walls using pre

[Contact Us](#)

Cable Tray Mounting Brackets , McMaster-Carr

Choose from our selection of cable tray mounting brackets in a wide range of styles and sizes. Same and Next Day Delivery.

[Contact Us](#)





Best Practice Guide to Cable Ladder, Cable Tray

Associated supports Bespoke supports for cable tray and cable ladder other than BS 6946 channel supports Cable cleats Used within an electrical installation to

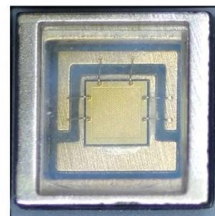
[Contact Us](#)



Cable Tray

I am designing a 3D frame inside of a building to be used to support a cable tray running across the length of the building. The cable tray runs the entire length of the 3D frame I am designing

[Contact Us](#)



Channel tray

Cable channel T& B offers cable channel in solid or ventilated straight sections. Ventilated channel has burr-free oblong punched holes for easy access. Ty-Rap cable tie slots are provided between each

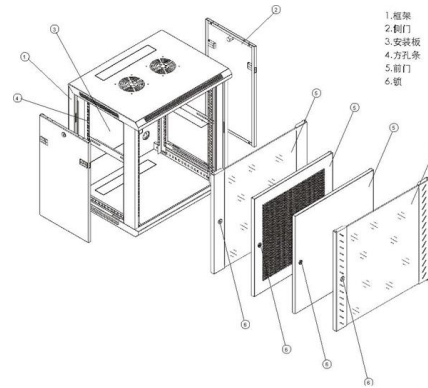
[Contact Us](#)



450mm Cable Tray Trapeze Bracket - 300mm Drop

This 450mm cable tray bracket is a fully pre-assembled trapeze-style support, designed to suspend medium-duty cable trays from overhead threaded rod

[Contact Us](#)



Integrated Steel Plant » Uni Strut C Channel Support

Introduction - Uni Strut C Channel Support System ISP -Support Systems ISP - Integrated Steel Plant Cable Tray Support System produces various kinds of

[Contact Us](#)

Unistrut Compatible Channel Support Systems, Cable

Unistrut Compatible Channel Support Systems & Cable Trays Here at Orbital Fasteners, we are proud to offer an extensive range of Unistrut compatible

[Contact Us](#)



Cable Tray Fabrication: Step-by-Step Channel Processing

Learn the essential process of making cable trays--those metal channels that organize and protect electrical wiring!

[Contact Us](#)

Best Practice Guide to Cable Ladder and Cable Tray Systems



Introduction This publication is intended as a practical guide for the proper and safe* installation of cable ladder systems, cable tray systems, channel support systems and associated supports. Cable ladder

[Contact Us](#)



Best Practice Guide to Cable Ladder and Cable Tray

Cable ladder and cable tray systems The following recommendations are intended to be a practical guide to ensure the safe and proper installation of

[Contact Us](#)

How to Install Unistrut Support Channel: A Step-by-Step Guide

Installing the Unistrut support channel correctly is key for any heavy duty framing project. Learn how with this step-by-step guide.

[Contact Us](#)



Cable Tray Support: Rod vs. Angle Steel

Learn about the different types of cable tray support, including rod supports and angle steel supports, and how to choose the right one for your

[Contact Us](#)



Metal framing & support systems

Metal framing & support systems ABB saves time and labor with its comprehensive lines of metal framing and cable tray, including the industry's only 100% plated products, our 1 1/2" modular

[Contact Us](#)



Types of Cable Trays: Ladder, Perforated, Basket, Solid

Cable trays support insulated electrical cables in industrial and commercial settings. There are several types of cable trays, including ladder,

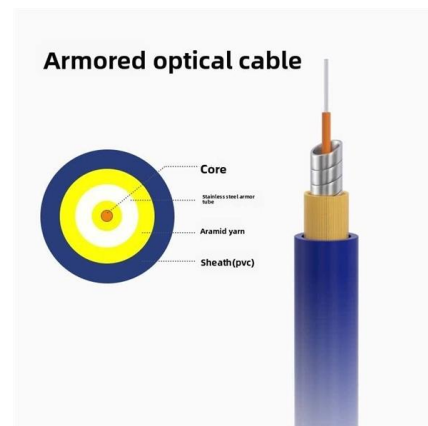
[Contact Us](#)



DIY Installation: Mastering Light Duty Cable Tray Setup

Explore our comprehensive DIY guide to master the installation of light-duty cable trays. From planning to cable organization, follow step-by-step instructions for a tidy and efficient cable

[Contact Us](#)



The complete Kabelschlepp (2024/26)

Support trays An even surface is required for reliable unrolling of the unsupported cable carrier. If this is not already provided on site, a support tray has to be used. If required, we supply our cable carriers

[Contact Us](#)



Guide to cable support systems

The load capacity of the cable trays according to the support width can be read off in the diagram using load curves - here, shown as an example for a cable tray with the tray widths 100 to 600 mm.

[Contact Us](#)



Cable Tray Technical Guide A practical guide to product selection and

SOLID-BOTTOM CABLE TRAY Providing additional cable protection, solid-bottom cable tray is sometimes preferred to support and protect numerous small instrumentation and control cables.

[Contact Us](#)

How to Calculate the Cable Tray Support Quantity

Learn how to accurately calculate cable tray support quantities in electrical installation projects. Our guide covers methods,

[Contact Us](#)



Cable Tray Support System

Cable tray support systems are simple metal brackets that are widely used in mechanical, electrical and plumbing applications. Slotted with many holes in

[Contact Us](#)



Beama Best Practice Guide , Installation Of The System , Cable

The following recommendations are intended to be a practical guide to ensure the safe and proper installation of cable ladder and cable tray systems and channel support and other support systems.

[Contact Us](#)



CABLE TRAY SYSTEMS GUIDE

Hubbell's NEXTFRAME® Ladder Tray is the effective and widely used cable runway that supports and delivers bundles of cable between cabinets, racks, and closets, along walls, and suspended from

[Contact Us](#)

Contact Us

For datasheets, pricing, or custom fiber access solutions, please visit:
<https://frindel.es>