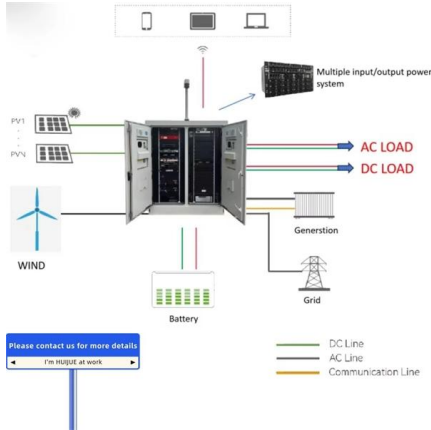


# **Customized high-voltage busbar for Syria**





## Customized high-voltage busbar for Syria



### Busbars, Terminals & Lugs

High voltage rigid and flexible (braid or laminated) busbars and custom terminals/lugs for any application. Copper and Aluminum. Custom geometry with

[Contact Us](#)

### Optimizing Busbars for Advanced Applications

Conductor selection Busbars are ideal for the high-power applications that are commonplace in EVs. OEMs first started using busbars in EV battery packs as interconnects for battery modules. To

[Contact Us](#)



### ENNOVI High-Voltage Extruded Busbar , Reliable

High-voltage rigid extruded busbars address production speed, cost, and quality challenges in the changing environment of electric vehicles. This extruded busbar

[Contact Us](#)



### High Powerbar Busbar Range

Busbar Trunking Introduction Busbar trunking has been around for a long time at least half a century but, in its early days, it was no more than a set of busbars mounted on ordinary supports in what was, in



### Enabling Smaller, Smarter Busbar Designs , ENNOVI

Understand how ENNOVI's busbar designs support higher power densities while enabling smaller, smarter, and more efficient systems.

[Contact Us](#)

### High-Voltage Busbars

Powering tests of the busbars simulate driving cycles and charging cycles under different climatic conditions in a particularly sharp form. In doing so, large temperature differences and changes are

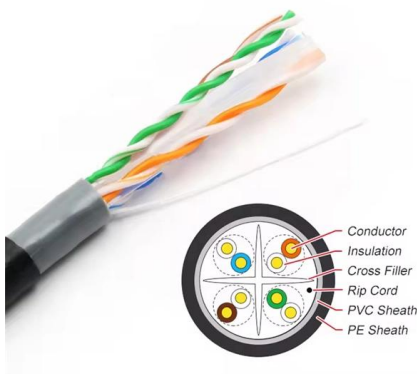
[Contact Us](#)



### Busbars , Busbars manufacturers & supplier , Eaton

Our busbars can be combined with fasteners of all shapes and sizes but when combined with our HPLB (High-Power Lock Box) terminal we can eliminate all

[Contact Us](#)

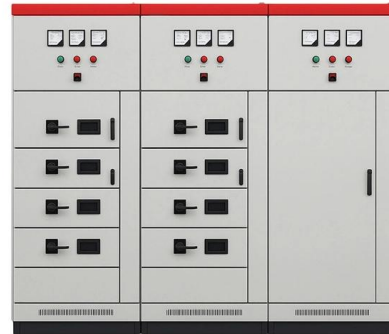




## EMS , ? Busbar Assembly Units Customized

EMS offers individual support for all stages of engineering and manufacturing of customized Solutions for Busbar Assembly Units.

[Contact Us](#)



## High-Temperature Resistant Busbar - Cell-to-Cell

In electric vehicle (EV) battery systems, the busbar acts as a vital energy transfer component between individual cells. Our High-Temperature

[Contact Us](#)

## buzzbar® ? Electrical Busbars made in Germany

Busbars are electrical conductors that transmit signals or high frequencies. As part of a circuit or power grid, they provide the connection between the power source

[Contact Us](#)



## High voltage bus bar

Are customized Laminated Bus bars available? Yes, we offer customized laminated busbars to meet specific requirements, including multi-layer designs and different

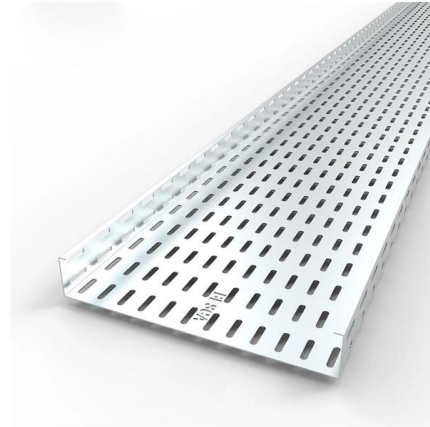
[Contact Us](#)



## High Power Converter Busbar in the New Era of Wide

The busbar is crucial in high-power converters to interconnect high-current and high-voltage subcomponents. This paper reviews the state-of-the-art

[Contact Us](#)



## High Voltage Busbars

To connect various high voltage (HV) components to the HV system, we also deliver a wide variety of busbars. In cooperation with the customer, these can also feature our Bus Bar Insulation Tubing (BBIT).

[Contact Us](#)

## Copper Busbar , Custom Busbar Manufacturer , Electric Materials

From high-capacity horizontal overhead power distribution to your high-voltage control cabinets, to the vertical drops that serve your lower

[Contact Us](#)



## Busbars

We flexibly manufacture suitable & safe busbars for your switchgear made of copper or aluminium. In addition to the realisation of complex shapes, we also take on

[Contact Us](#)

## DC Busbar Systems for Reliable Energy Transmission



Customised for Industrial Versatility: Our DC busbar systems are designed to meet the specific needs of industries including Green Hydrogen production, rectifiers,

[Contact Us](#)



### EMS , ? Electrical Insulated Busbars for your Busbar

We use only high-quality materials and have a wide range of options, even for small installation spaces. Our red busbar insulation, for example, is also ideally suited

[Contact Us](#)

### Custom Busbars , ProEV (TM) (An ECI Company)

Discover our high-voltage custom busbars for electric vehicles. Supports a wide range of applications including but not limited to battery packs, battery distribution units, and electric propulsion and control

[Contact Us](#)



### Busbar Design for High-Power SiC Converters

Busbars are critical components that connect high-current and high-voltage subcomponents in high-power converters. This paper reviews the latest

[Contact Us](#)



## Busbars & Terminals

High voltage rigid and flexible (braid or laminated) busbars and custom terminals/lugs for any application. Custom geometry with overmolded features for

[Contact Us](#)



## EMS , ? High Current Busbars Customized

We engineer and manufacture Customized High Current Busbars Solutions made of Copper, Cuponal and Aluminum - made in Germany and Poland.

[Contact Us](#)



## High Voltage Busbars by Intercable Automotive Solutions

High volume busbar production: employing craft precision. One of the signature products developed by Intercable Automotive Solutions are our custom made

[Contact Us](#)



## Copper Busbar Insulated for High Voltage Battery

Engineered for high-voltage EV battery systems, these battery busbars combine high-conductivity copper with heat-resistant ceramic composite tape to ensure excellent insulation, thermal stability,

[Contact Us](#)





## EMS , ? Customized Flexible Busbars

The three most common highly flexible busbars are Braided Flexible Busbars, Ultraflexx®, and Earth Braids. Although they are all made of individual wires,

[Contact Us](#)



## POWER COMPONENT DESIGN SOLUTIONS

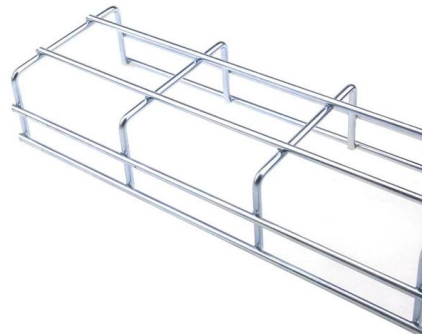
SOLUTIONS Our ENNOVI-BusMate busbars, and custom solutions combine to support reliable power and signaling. ENNOVI-BusMate simplifies the assembly of robust power interfaces. Our vertically

[Contact Us](#)

## Busbar Manufacturers

We are able to produce a huge variety of bespoke, customised busbars to specification - including powder coating and insulation. We offer a very rapid

[Contact Us](#)



## Contact Us

---

For datasheets, pricing, or custom fiber access solutions, please visit:  
<https://frindel.es>