

# Copper-headed optical cable





## Copper-headed optical cable

---



### Active Optical VS Traditional Copper Cables

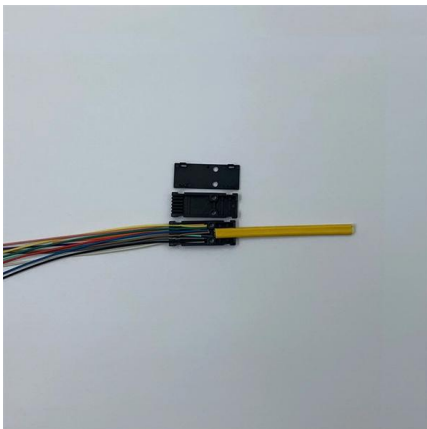
Active optical cables transcend some of the constraints of passive cables by incorporating optics and electronics into the connections. Whereas

[Contact Us](#)

### Which Is Better for Your Network--Copper or Fiber Cables?

Copper vs. fiber Ethernet--speed, distance, EMI, and cost compared with clear scenarios for each. Make the right call for your network--read the guide and shop cables.

[Contact Us](#)



### Copper USB-C Cable Vs USB-C AOC (Active Optical Cable)

Performance: Conventional cables struggle with high-bandwidth data over long distances. USB-C Active Optical Cable deliver consistent performance even for high-resolution video or fast data speeds.

[Contact Us](#)

### High-Speed I/O Solutions , Copper Cable Assemblies

Amphenol is a technology leader in the design, manufacture, and supply of high-performance copper cable assemblies, active optic cables,

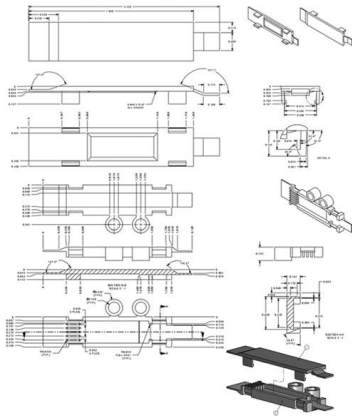
[Contact Us](#)



### CP-AOCH/60 Active Optical 4K Pluggable HDMI Cable

CP-AOCH/60 cables are thinner, lighter and more flexible than copper or even standard optical cables. They offer transparent EDID, HDCP and HDR support

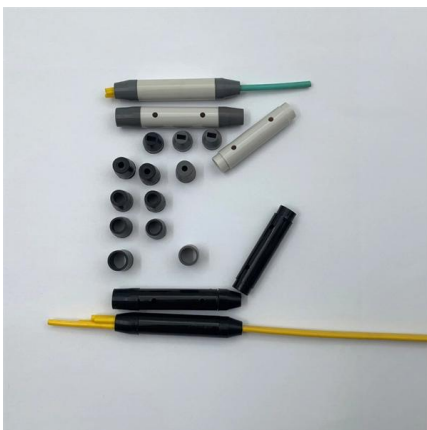
[Contact Us](#)



### Fiber Optic Cables vs. Copper Cables: Working

Explore the key differences between fiber optic and copper cables, including their advantages, disadvantages, and ideal applications. Learn which

[Contact Us](#)



### Fiber Optic vs. Copper Ethernet Cables: The Difference

Are you trying to decipher the difference between fiber optic and copper Ethernet cables? We've got you covered. Read our detailed guide to learn

[Contact Us](#)



Overview This active optical High-Speed HDMI® cable is plenum rated and consists of a HDMI male connector on both ends. It has a detachable head on one end

[Contact Us](#)



- IP65/IP55 OUTDOOR CABINET
- ALUMINUM
- OUTDOOR ENERGY STORAGE CABINET
- OUTDOOR EQUIPMENT CABINET

### Copper Cables

Outdoor Cables Follow us: Applications Long-Haul Networks Central Office/Headend Data Center Fiber to the Premise CATV Broadband 5G Networks Enterprise

[Contact Us](#)

### Fiber Optic vs. Copper Cables: What's the Difference?

Copper vs fiber optic cable? Learn why the time is now to replace copper with fiber optic cabling to upgrade the network infrastructure.

[Contact Us](#)



### Audiocadabra Optimus3 Handcrafted Solid-Copper Dual

Experience the closest approach to the original signal with Audiocadabra Optimus3 Handcrafted Solid-Copper Dual-Headed USB Cables. Enjoy free shipping!

[Contact Us](#)



## Copper vs. Optical Interconnects , Differences

Optical interconnects enable new solutions. Copper is simple and cheap and has been the mainstay of interconnect solutions for over 100 years, but it can't handle

[Contact Us](#)



## Copper vs. Fiber Optic Cables: A Comprehensive

Explore the differences between copper and fiber optic cables for data communication, including their advantages, disadvantages, and applications.

[Contact Us](#)

## The Fiber Optic vs Copper UTP Enigma

Confused between fiber optic versus copper cabling? The costs, the strengths, the weaknesses of each? Here's what you need to know for an

[Contact Us](#)



## Fiber Optic Cable vs Copper Cable: Key Differences

Fiber optic cable transmits data using light pulses through thin glass strands, whereas copper cable relies on electrical signals traversing copper wires.

[Contact Us](#)



## Copper vs Active Optical Cables: Which Is Best for Your Setup?

Compare copper and active optical cables for high speed data connections, including differences in distance, signal integrity, power use, and deployment scenarios.

[Contact Us](#)



## Copper vs. Fiber Optic Cables: A Comprehensive

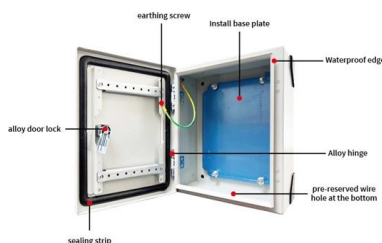
A detailed comparison of copper and fiber optic cables, highlighting their key differences and benefits.

[Contact Us](#)

## Fibre Optics vs Copper Cabling - Understanding the Difference

Fibre optic cable is superior to copper cable in almost every way imaginable. It is much faster than copper cable, carries much higher bandwidth, has less interference and is lighter, stronger and more

[Contact Us](#)



## Comparing Copper vs Fiber Optic Cables: Which is Right for You?

Explore the differences between copper and fiber optic cables, including speed, distance, cost, and durability. VRGHT provides high-quality cables for reliable connectivity.

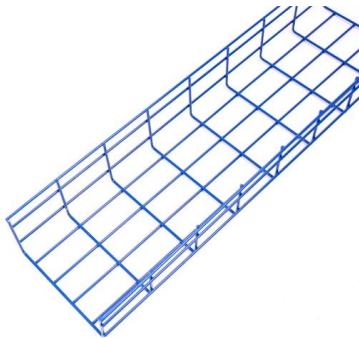
[Contact Us](#)



## Understanding Active Optical Cables, Direct Attach

Product: Active Optical Cables (AOCs) use optical fibers for high-speed data transmission and include active components such as optical

[Contact Us](#)



## Copper vs Fiber Optic Cables: Speed, Cost, Security

Understanding the critical differences between traditional communication cables (copper-based) and modern communication optical cables (fiber optic) is

[Contact Us](#)

## Difference Between Copper Cable and Fiber Optics

The crucial difference between copper cable and fiber optics is that copper cable transmits signal in the form of electrical pulses while fiber optics possess signal

[Contact Us](#)



## Fiber Optic Cables , Corning

With 2 billion kilometers of fiber optic cables installed around the globe, Corning continues to lead the industry in product quality and innovation.

[Contact Us](#)

## Fiber Optic Cable vs Copper Cable



## Understanding the

Fiber optic cable offers faster speeds, longer distances, and better reliability than copper cable, making it ideal for high-performance internet and

[Contact Us](#)



## Fiber Optic Cable vs Copper Cable: Key Differences

Explore fiber optic cable vs copper cable differences in speed, cost & reliability. Choose the right cable for your network infrastructure with TTI Cable's

[Contact Us](#)

## Contact Us

---

For datasheets, pricing, or custom fiber access solutions, please visit:  
<https://frindel.es>