

Comparison of the advantages and disadvantages of cables and optical fibers





Overview

Both fiber optic and copper network cables are common in the enterprise, but what is the difference between a fiber optic vs.



Comparison of the advantages and disadvantages of cables and opt



What is LAN (Local Area Network)? Types, Advantages,

Communication Medium: Two types of mediums are using in LAN to make link in between multiple devices, such as wire and wireless. In wire media,

[Contact Us](#)

Multimode Fiber Cable: Types, Uses, Advantages

In this article, we will explain about what is multimode fiber cable with their types, uses, applications, advantages and disadvantages!!

[Contact Us](#)



Fiber Optic Cable Laying Contractors: Expert Guide 2025

Unlock high-speed connectivity. Discover how to choose the best fiber optic cable laying contractors for reliable, future-proof networks.

[Contact Us](#)



Optical ground wire

Optical ground wire An optical ground wire (also known as an OPGW or, in the IEEE standard, an optical fiber composite overhead ground wire) is a type of cable that is used in overhead power lines.



Copper vs. Fiber Optic Cables: A Comprehensive

This article compares copper and fiber optic cables, highlighting their differences in data communication. It also discusses the advantages and disadvantages of

[Contact Us](#)



What is the advantage of optical TOSLINK over RCA

The standard specifies multiple interconnection types with RCA coaxial cables and optical TOSLINK being two most popular. Commonly in audio

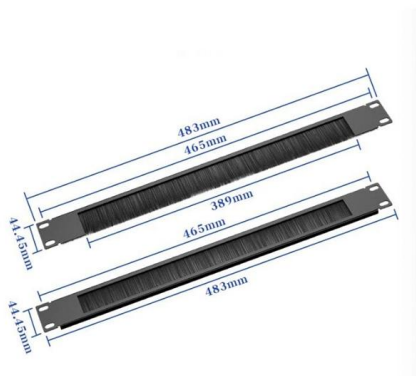
[Contact Us](#)



Online Bulk Cable Company , CableWholesale

As a premier online bulk cable company, CableWholesale carries a large inventory of computer cables, USB, HDMI, fiber optic, VGA cables, and more. Shop now!

[Contact Us](#)

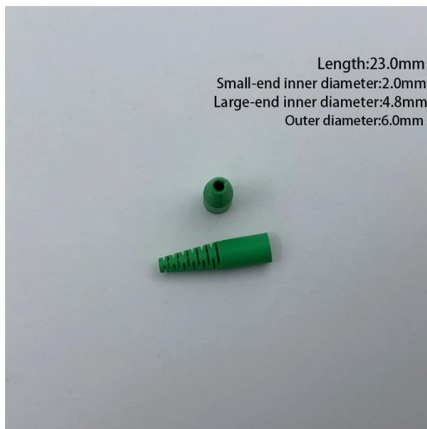




Comparing Fiber Optic Cables to Copper Cables in Data Center Connectivity

Let's explore the characteristics, advantages, and limitations of both fiber optic and copper cables in data center connectivity,

[Contact Us](#)



Compare The Best Internet Providers of 2026

Fiber Optic Internet Providers The latest digital technological advances that are being offered by Internet providers are fiber optic Internet services. Fiber optic providers

[Contact Us](#)

Wired Network vs Wireless Network: Understand the

Both wired and wireless networks are essential in modern communication, each with its unique advantages and disadvantages. In this

[Contact Us](#)



ITPro Today, Network Computing, IoT World Today combine

ITPro Today, Network Computing and IoT World Today have combined with TechTarget . The page you are looking for may no longer exist.

[Contact Us](#)



Difference between Fiber optic cable and Copper wire

Fiber optic cables transmit data using light waves, enabling higher speeds and cover long distance. They are ideal for long-distance communication

[Contact Us](#)



Optical Delay Lines , MEETOPTICS Academy

Optical delay lines are optical setups used to delay the propagation of light by a well-defined and known amount of time, allowing precise manipulation of the timing of

[Contact Us](#)

Is Starlink Worth It? Pros, Cons, and Hidden Tradeoffs

Starlink promises satellite internet, but is it worth the price? Compare costs, speeds, reliability, and alternatives to see if it fits your needs.

[Contact Us](#)



What is Internet

From that moment, internet technology continued to evolve rapidly. How is the Internet Set Up? The Internet relies on physical infrastructure such as:

[Contact Us](#)



Fiber vs. Cable: Which Internet Type Is Best + Pros and

Compare fiber vs. cable internet speeds, reliability, and costs to find the best network connection type for your needs. Learn the pros and cons in this guide.

[Contact Us](#)



What Are Those Red, Yellow, and White Cables Called?

Advantages and Disadvantages of RCA Cables Like any technology, RCA cables have their pros and cons. Understanding these helps determine their suitability for specific applications.

[Contact Us](#)

Optics vs Copper: Debunking Myths and Understanding

With increasing concerns about energy efficiency and environmental sustainability, fiber optics offer significant advantages over copper in terms of

[Contact Us](#)



Fiber Optic Cable vs Copper Cable Understanding the

In the digital backbone of modern business, the choice between fiber optic cable and copper cable remains fundamental. While both transmit data,

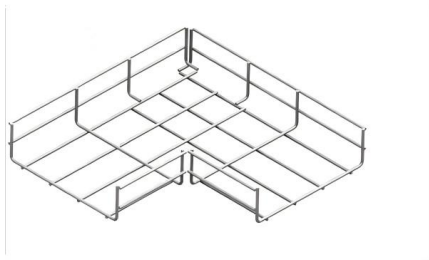
[Contact Us](#)



Types of Cable Trays: Purpose, Advantages,

Explore all types of cable trays--ladder, perforated, basket, solid, and channel. Learn their uses, materials, pros, cons, and key differences.

[Contact Us](#)



Fiber Optic Cables vs. Copper Cables: Working

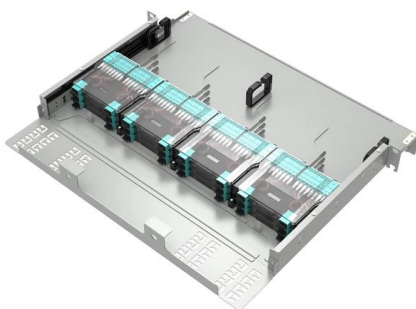
Explore the key differences between fiber optic and copper cables, including their advantages, disadvantages, and ideal applications. Learn which

[Contact Us](#)

Advantages and Disadvantages of LAN, MAN and WAN

High speed: Man has a high speed of data transfer because MAN often uses fiber optics cables that are capable of offering speeds up to 1000Mbps.

[Contact Us](#)



Copper Vs. Fiber Optic Cabling - Pros and Cons for 2024

Numerous studies have examined the advantages and disadvantages of copper and fiber data wiring.

[Contact Us](#)



Optical Fiber vs Copper: Advantages and Disadvantages

Discover the key differences between optical fiber cables and copper cables. OPTRAL analyzes the advantages and disadvantages to enhance connectivity.

[Contact Us](#)



Fast shipment in stock Default white and black, contact customer service for notes

4U standard model



Singlemode vs Multimode Fiber Optic Cable

We breakdown the differences between single mode and multimode fiber optic cable, covering aspects like physical structure, bandwidth over

[Contact Us](#)

Contact Us

For datasheets, pricing, or custom fiber access solutions, please visit:
<https://frindel.es>