

Companies that manufacture optical distribution boxes





Overview

Fujikura: Combines optical components with distribution enclosures for integrated solutions. Fiber distribution box is suitable for the wiring connection of optical cable and optical communication equipment, through the adapter in the wiring box, the optical jumper leads the optical signal, and realizes the optical wiring function. Gcabling specializes in providing one-stop solutions for the last 1KM network cabling! Our company has a professional technical team, and our product line includes a variety of fiber optic terminal boxes and fiber distribution boxes, designed to meet the diverse needs of fiber optic networks.



Companies that manufacture optical distribution boxes



Optical Distribution Box , Fiber distribution box

Fiber distribution box is made of high-strength engineering plastics, anti-UV, anti-aging ability. The distribution box is sealed adopts buckle + two screw type structural seals, and the left and right

[Contact Us](#)

Ultimate Guide to Fiber Optic Distribution Box: Types

Fiber optic technology has revolutionized the telecommunications industry, enabling faster and more reliable data transmission. One essential

[Contact Us](#)



Fiber Optic Distribution Boxes (FDB) & ODF Supplier

OTRANS is a leading fiber optic distribution box manufacturer. We offer a wide range of 1-24 core FDB boxes and ODF cabinets for indoor/outdoor FTTX deployment.

[Contact Us](#)



MellaxTel

MellaxTel, a national high-tech enterprise founded in 2012, specializes in the R&D, manufacturing, and sales of optical distribution boxes. Located in Ningbo,



Fiber Distribution Box & Terminal Box , Top-Quality

FTTH Box comply with salt spray test, crush test and temperature cycling under international standard. All are RoHS, and REACH certified to ensure the safety

[Contact Us](#)



Fiber Distribution Boxes Factory

Fiber distribution boxes supplier & manufacturer in China. 15 Years of manufacturing experience, custom & wholesale at factory price.

[Contact Us](#)



Housing and distribution boxes

Lapp - Housing and distribution boxes, GOF - Fiber optic accessories, Optical transmission systems

[Contact Us](#)





The Technical Specifications for Fiber Distribution Boxes

The fiber distribution box, a crucial component in optical fiber networks, serves a dual purpose of managing and protecting optical fibers while facilitating

[Contact Us](#)



Distributors: Splice Boxes & Optical Network Terminal Boxes

You can find fiber splice boxes and distribution boxes in the EFB-Elektronik online shop with a wide range of matching distributors, module racks, subracks and accessories.

[Contact Us](#)

Optical Cable Distribution Box in the Real World: 5 Uses You'll

Optical cable distribution boxes are essential components in modern telecommunications infrastructure. They serve as hubs where fiber optic cables are connected, managed, and distributed

[Contact Us](#)



Find Leading Optical Distribution Boxes Manufacturers World Wide

Elevate Your Business with Exclusive Optical Distribution Boxes offers and Forge World Wide Connections with Premier Optical Distribution Boxes Suppliers on TradeKey . Unlock Growth

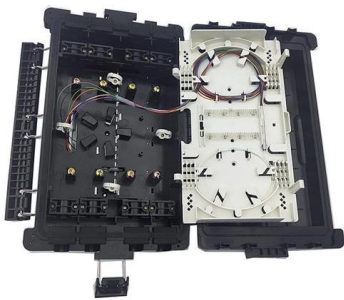
[Contact Us](#)



Top Optical Cable Distribution Box Companies & How to

Explore detailed market analysis, significant trends, and growth opportunities. Optical Cable Distribution Boxes are critical components in fiber optic networks.

[Contact Us](#)



Optical Distribution Frame (ODF): High-Density Rack

An Optical Distribution Frame (ODF), also known as fiber distribution frame or optical fiber distribution frame, is the central cross-connect and termination hub in fiber

[Contact Us](#)

Fiber Optic Distribution Network Manufacturer , Riteoptic

As a leading fiber optic Distribution Network manufacturer, Riteoptic provides OEM/ODM services to make all of your products fit your applications. Introduce

[Contact Us](#)



An In-Depth Exploration of Fiber Optic Distribution

It begins with an introduction to fiber optic technology and the pivotal role of distribution boxes in managing fiber optic cables. The article categorizes the

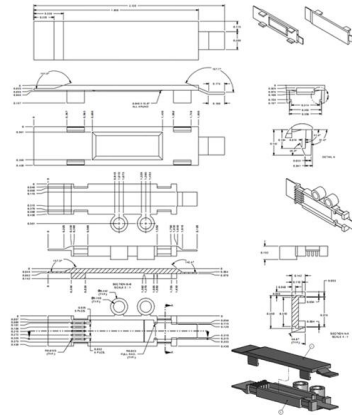
[Contact Us](#)



Fiber Optic Distribution Box (FDB) Manufacturer , 2-48 Core Outdoor

Wholesale fiber optic distribution boxes (FDB/NAP Box) for FTTH deployments. Support 2-48 cores, pre-connected options, and IP65/67 waterproofing. ISO certified factory direct supply. Request our 2026

[Contact Us](#)



SMC Optical Distribution Box

Our SMC Optical Distribution Box comes in 144, 288, and 576 cores. They are durable and reliable products for fiber optic network. Shop now.

[Contact Us](#)

Optical Distribution Boxes - PPC Broadband , Product Catalog

Optical Distribution Boxes, 4 to 96 fiber termination, up to 96 fusion splices, indoor / outdoor, 1:2 to 1:32 splitting ratio, for FTTH applications up to 96 subscribers Optical Distribution Box 8 (ODB-8): This

[Contact Us](#)



Optical Distribution Box , Fiber distribution box

Fiber distribution box is made of high-strength engineering plastics, anti-UV, anti-aging ability. The distribution box is sealed adopts buckle + two screw type

[Contact Us](#)



Fiber Box Manufacturer & Supplier

Our company has a professional technical team, and our product line includes a variety of fiber optic terminal boxes and fiber distribution boxes, designed to meet

[Contact Us](#)



Distribution boxes in optical networks: quality makes all

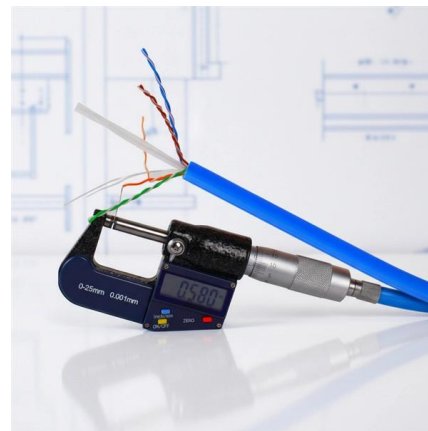
When we talk about optical networks, distribution boxes often go unnoticed, but they play a vital role in protecting and organizing cables and

[Contact Us](#)

The Different Types of Fiber Optic Distribution Box

The high density MPO/MTP fiber optical distribution box does not require a power supply, and is suitable for 10G, 40G or 100G type LGX distribution boxes, and

[Contact Us](#)



Bulk Fiber Distribution Box (FDB) Supplier

Our Optical Distribution Frame are world-class quality, featuring high strength plastic, ultraviolet radiation resistance, and anti-ultraviolet radiation features. On top of that, it is resistant to rain! You can put our

[Contact Us](#)



Contact Us

For datasheets, pricing, or custom fiber access solutions, please visit:
<https://frindel.es>